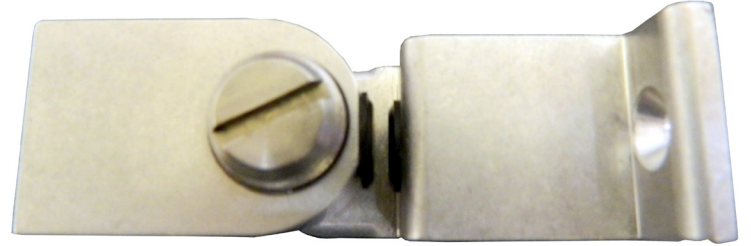
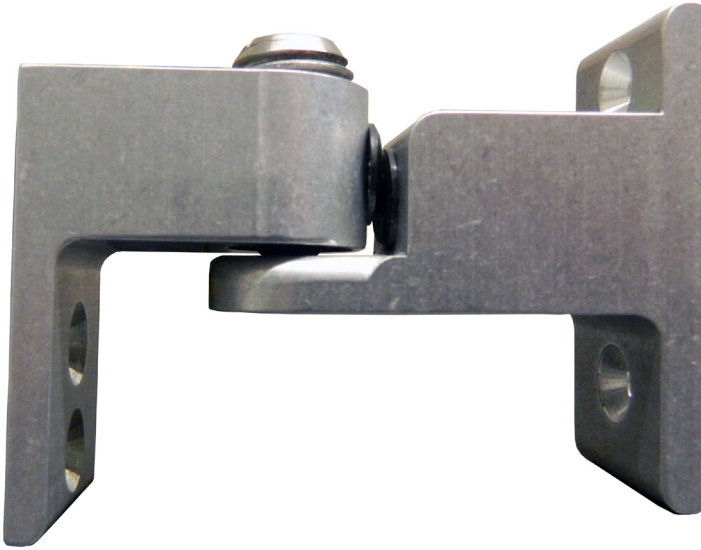


# ADJUSTABLE DOOR CATCH



Solar Innovations, Inc. has released a new Adjustable Door Catch for swing and pivot style doors. This innovative product provides customers the ability to precisely adjust the tension required to engage and disengage the door from its catch.

Because of the custom nature of Solar Innovations, Inc.'s products, door panel weights and sizes often vary; rendering the use of a standard fixed door catch ineffective. Solar's Adjustable Door Catch can provide the correct amount of tension to slow, stop, or hold a door while maintaining a high end architectural aesthetic appeal for any door panel, regardless of size or weight.

Solar Innovations, Inc.'s Adjustable Door Catch is surface mountable which allows for greater variation in installations, tension adjustment, and ease in repair. By inverting the catch's standard position, the tension is easily adjustable with a simple screwdriver. Solar's door catch is a universal product which can be used on almost any door manufactured by any company.

The Adjustable Door Catch can be used in lieu of head mounted hardware to hold doors open. The catch can also easily be integrated to work with pull handles.

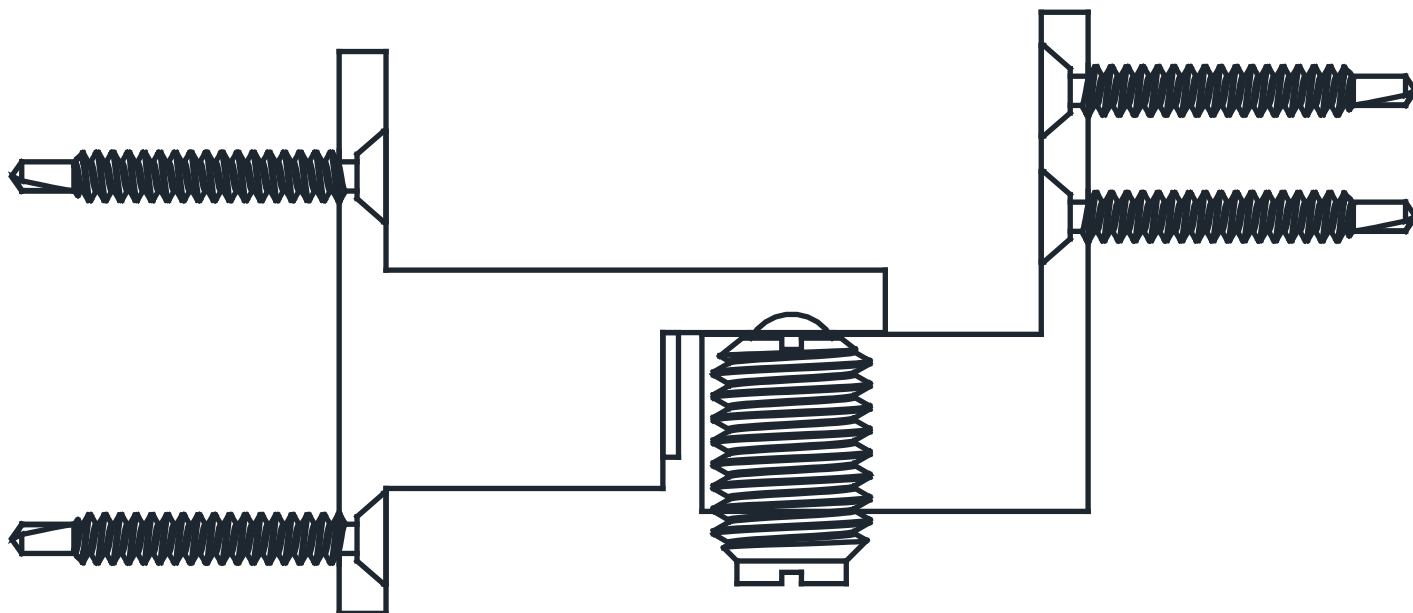


Solar Innovations, Inc.'s door catch design is made up of three primary components; a "dented" catch side of the system, a male side of the system with female threads to receive a threaded tensioning mechanism, and an adjustment device to complete the assembly

## FEATURES

- Single piece assembly unit, adding to the innovative nature of the mechanism, and allows for adjustments of both the door's tolerance and tension.
- Acts as an additional point of contact and decreases the amount of weight placed on hinges when the catch is engaged, by absorbing the load itself.
- The adjustment device is available in various lengths, tensions, and guide systems to meet the engineering requirements of various door systems, based on weight, size, and design.
- Ease of maintenance is greatly increased, improving the longevity, functionality, and service life of a door.
- Can be integrated into the door during manufacturing, or is available as a stand alone product that can be retrofitted to almost any pre-existing commercial or residential door, regardless of the manufacturer.

Assembly Drawing



Disassembled Drawing

