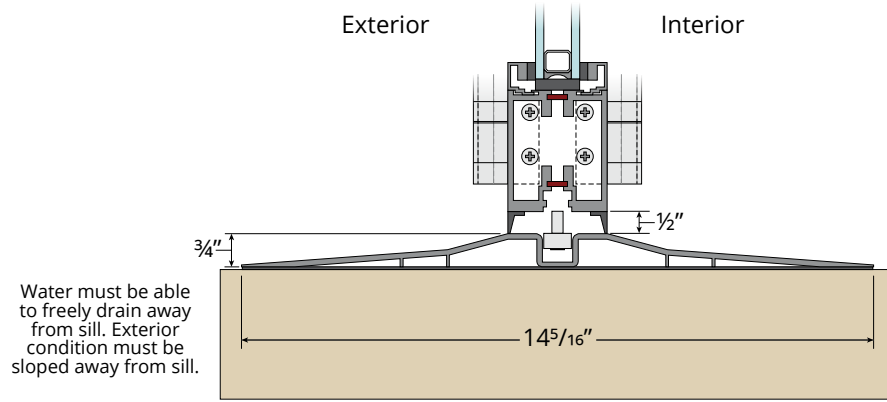
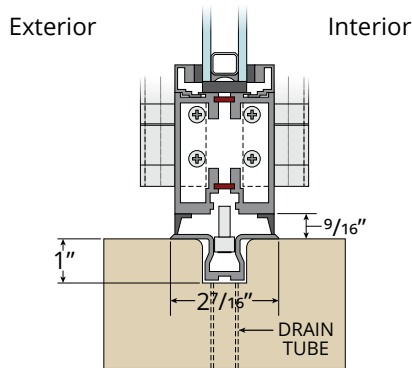


SI3000 G2 Folding Glass Wall – Water Performance

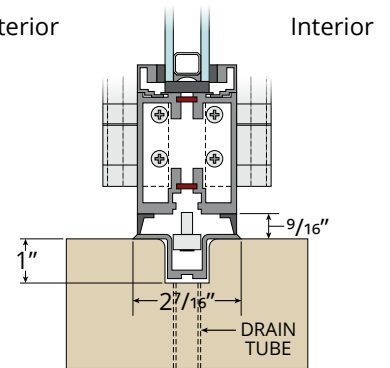
TOP LOAD ONLY – OUTFOLD



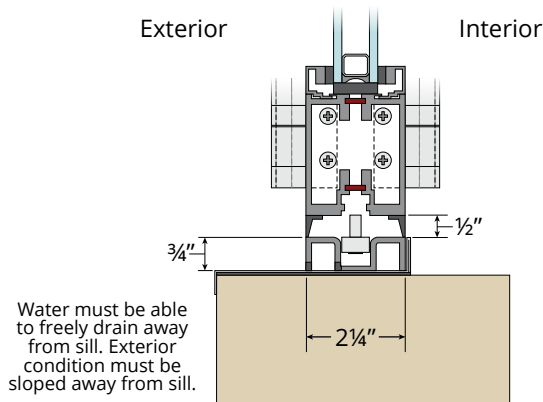
Surface Mount ADA Sill
Limited/no water performance



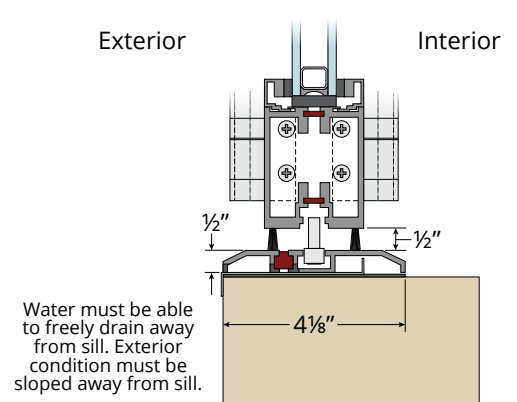
ADA Recessed Flush Hat Sill
Limited/no water performance



Recessed Flush Hat Sill
Limited/no water performance



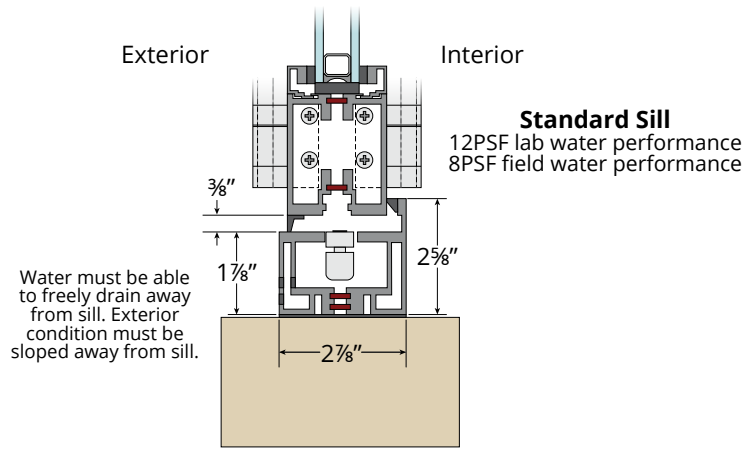
Surface Mount Sill
Limited/no water performance



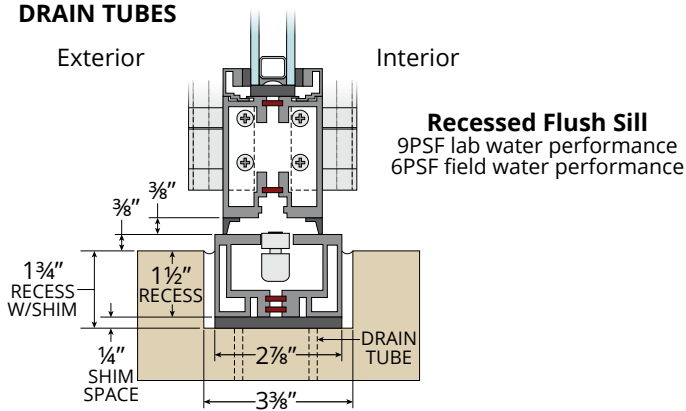
Thermal Surface Mount ADA Sill
Limited/no water performance

SI3000 G2 Folding Glass Wall – Water Performance

TOP OR BOTTOM LOAD – OUTFOLD



DRAIN TUBES



WEEP FLAPS

