

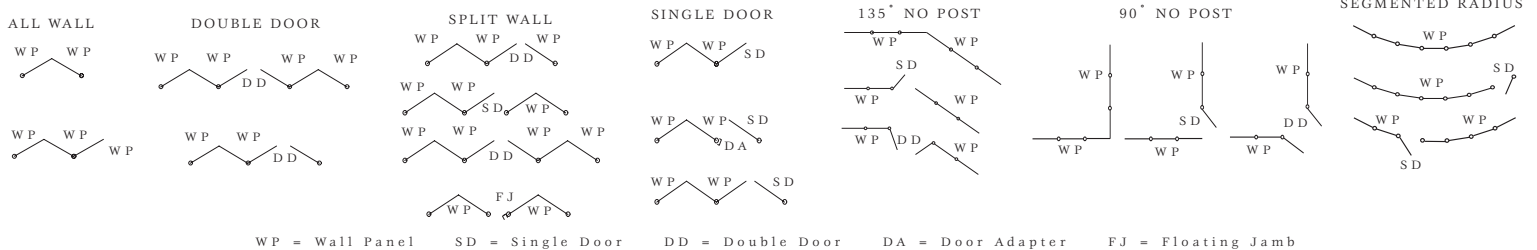
Folding Glass Wall System

SI3000

SI3250 • SI3350 • SI3450 • SI3600



Series SI3000 thermally enhanced aluminum folding glass wall system for use in commercial and residential applications. Offers exceptional air, water, structural, and thermal performance in any condition. Multiple sill options and profile dimensions provide greater performance and design flexibility. Customization of product profiles, hardware, sills, panel size, and testing can be completed upon request.



Features:

- Water performance, up to 13 psf, depending upon sill choice.
- Thermally enhanced with iso-bar thermal break.
- Operable hardware custom manufactured by Solar Innovations, Inc.
- Zero-maintenance extruded aluminum hinge with stainless steel pin
- Roller assemblies designed to minimize and simplify panel maintenance
- Multiple hardware styles and finishes
- Accommodates monolithic and insulated glazing infills from 3/16" to 1 1/8"
- Standard finishes
 - Duracron: Hartford Green, Bronze, Black, Natural Clay, White, Sandstone
- Top or bottom load, inswing or outswing operation
- LEED friendly system including recycled content
- Designed and manufactured in the U.S.A.

Options:

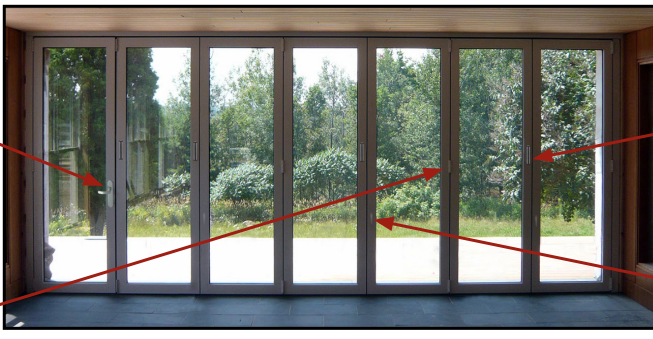
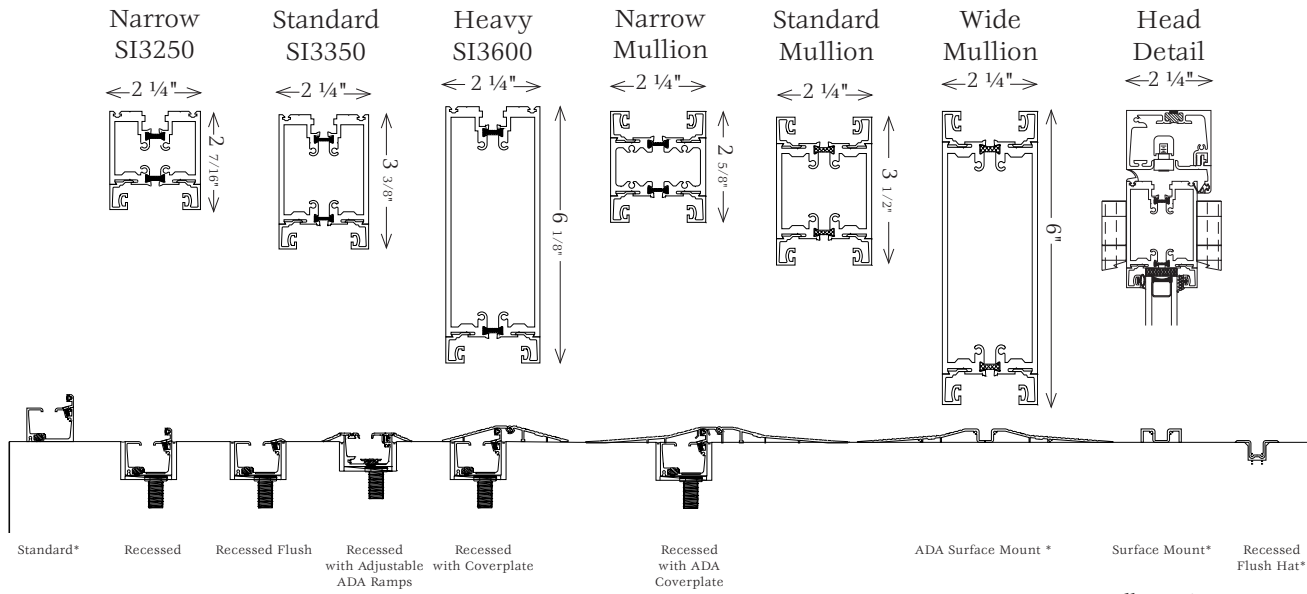
- Matching fixed transoms and sidelites
- Integrated swing doors: single or double
- Custom finishes
 - Class I anodized: Dark Bronze, Clear
 - Powder coat finish: AAMA 2604-05
 - Fluoropolymer: 50% or 70%
 - Veneer & cladding options
 - Dual color or dual finish options
- Decorative interior and exterior grids
- Screen options: folding, sliding, retractable
- Multiple sill designs, including ADA compliant ramps
- Factory installed sill drain tubes, if required
- Designed to accommodate any monolithic, insulated, laminated, decorative, polycarbonate, or solid panel infill
- Closer hinge jamb panels



SI3000

Folding Glass Wall System

SI3250 • SI3350 • SI3450 • SI3600



- Handle Options**
- Recessed Pull
 - Wire Pull Hinge
- Handle color choices:**
- Clear Anodized
 - Dark Bronze Anodized
 - Black
 - Bronze
 - Natural Clay
 - White
 - Sandstone
 - Hartford Green
 - Guard offered in Black only.
- Lock Options**
- Standard Flush Bolt
 - Deep Pocket Flush Bolt
- Lock color choices:**
- Black
 - Brushed Aluminum
 - Bronze
 - Natural Clay
 - White
 - Sandstone
 - Hartford Green
- Wire Pulls**
-

Inland Applications

- Back Plate Options**
- 5000 Style
 - 4000 Style
 - Sample Keyed Exterior
 - Sample Thumb Turn
- Both styles available with:
- 46 - Thumb Turn - Interior Lever - Exterior
 - 10 - Lever - Interior Lever - Exterior
 - 92 - Thumb Turn - Interior Keyed Exterior
- Solid Brass Handle Options**
- Capri
 - Venice
- Not available for doors exceeding 2 1/2" thickness
- Color Options**
- Satin Chrome
 - Polished Chrome
 - Polished Brass
 - Antique Brass
 - Dark Bronze (25 US10B)
 - Pewter
 - White Powder Coated
 - Black
- Aluminum Options**
- London
 - Frankfurt
 - 2246
- Color Options**
- Pure White
 - Chesnut
 - Painted Silver

- Hinge Options**
- Surface Mount Hinge
- Coverplate color choices:**
- Clear Anodized
 - Dark Bronze Anodized
 - Black
 - Bronze
 - Natural Clay
 - White
 - Sandstone
 - Hartford Green
- Handle color choices:**
- Clear Anodized
 - Dark Bronze Anodized
- Wire Pulls**
-

Coastal Applications

- Back Plate Options**
- 216
 - 374
 - 3955
 - 3965
- Brass Handle Options**
- Verona
 - Rodos
 - Toronto
 - München
 - New Orleans
- Color Options**
- Polished Chrome (C)
 - Oil Rubbed Brass
 - Brushed Chrome (C)
 - Rustic Umber
 - White
 - Matte Black
 - Satin Nickel (C)
 - Brass (C)
 - Antique Nickel (C)
- (C) = Heavy Saltwater Resistant Finishes

- Exterior Entry Trim**
- Curved
 - Round
 - Square
- Panic**
- Rim Panic
- Matching interior passage sets available. For double door applications, concealed vertical rod panic hardware is available. Entry trim with thumb turn and wire pull available.

SI3350 Performance							
Panel Size	# Panels	Fold	Sill	DP (psf)	Certification Test #	Air (@ 1.57psf)	Water (psf)
30" x 80"	4	OUT	Standard	+/- 80	FL 12279.3 110-9445-1	.03	9.75
33" x 82"	4	IN	Standard	± 70	110-12567-1	.08	13.0
44" x 114"	4	OUT	Recessed Flush	± 60	110-12655-1	.04	7.5
48" x 120"	5	OUT	Standard	-	110-12566-1	.02	8.25

NFRC Certified U Factor = .40 CRF = 33 SHGC = .17

Oversized units are available dependent upon engineering approval. Testing and performance results may vary depending upon sill and hardware selections. Please see: SI3350 for NOA and HVHZ information.

www.solarinnovations.com

