

TOP HINGED WINDOW SYSTEMS



Fresh air never looked so good.

Series SI3000V thermally enhanced aluminum top hinged windows are useful in both commercial and residential applications. They have been incorporated into restaurants, enclosed porches, pool houses, and covered patios, just to name a few. The thermal frame is used on exterior applications where the windows will be affected by wind and rain. The room will be well protected from extreme weather conditions by coupling the thermal frame with LoE glazing. Utilizing LoE glass reduces the amount of UV rays that enter a room. This allows for a more even, comfortable temperature in the room. Fading of furnishings and window treatments are also reduced with LoE tinted glass. These systems are manually operated.

FEATURES

FEATURES:

- Outswing operation
- Manually operated
- Maximum panel size 8' x 4'; larger sizes may be available pending engineering approval
- LEED friendly system including recycled content
- Designed and manufactured in the U.S.A.

PERFORMANCE:

- Thermally enhanced utilizing thermal strut
- Zero-maintenance extruded aluminum hinge with stainless steel pin

GLAZING:

- Accommodates monolithic and insulated glazing infills from 3/16" to 1 1/18"

HARDWARE:

- Low profile handles
- 180° two point locking handles
- Semi-concealed hinges
- Custom hardware available upon request

OPTIONS

FINISHES:

- Standard finishes
 - AAMA 2603: Bronze, White
 - AAMA 611 Class I Anodized: Clear, Dark Bronze
- Designer finishes
 - AAMA 2603: Hartford Green, Black, Natural Clay, Sandstone
- Custom finishes
 - Powder coat finish: AAMA 2604 - 2605
 - Fluoropolymer (50% or 70%): AAMA 2604 - 2605
 - Wood veneer, metal cladding, & foiling options
 - Dual color or dual finish options

ACCESSORIES:

- Sill drain tubes available if required
- Muntins, SDLs, interior and exterior grids available
- Matching fixed transoms and sidelites
- Decorative mullions available

HARDWARE



Handles



Pull Handle with Guard



Two Point Locking Handle

Hinges



Semi-Concealed Hinge

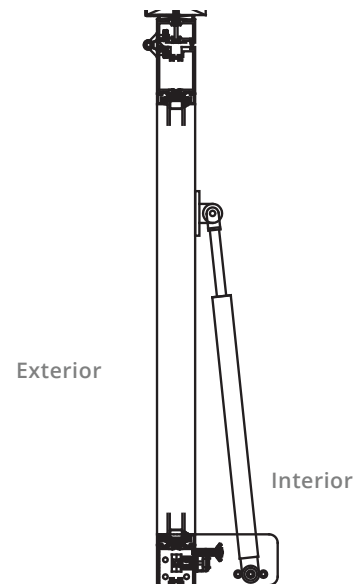
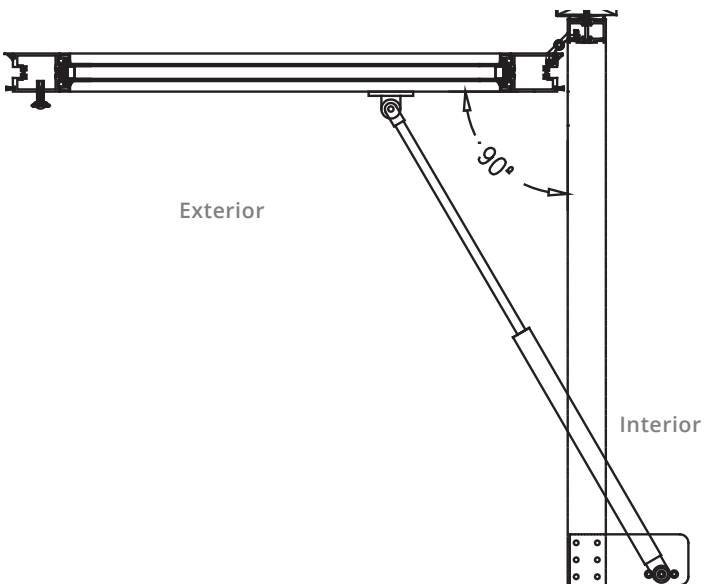
Shocks



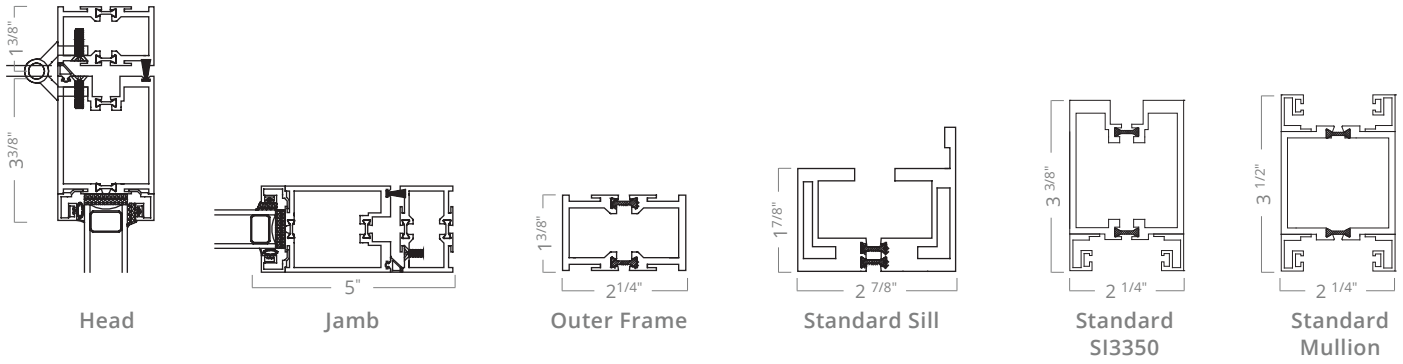
Gas Spring with Increased End Damping

Please Note: All hardware is subject to vendor availability. Custom finishes may be available upon request at additional lead time and/or cost. Solar Innovations® reserves the right to discontinue any hardware option at any time. Please be sure to visit our website for additional product information: www.solarinnovations.com

STANDARD DETAILS

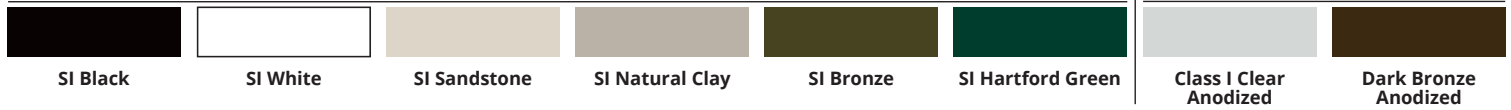


VERTICAL AND HORIZONTAL RAIL OPTIONS



FINISH OPTIONS

Paint STANDARD - AAMA 2603 (5 year warranty). Finishes available while in stock.



Anodized Additional cost

Paint DESIGNER - AAMA 2604 (5 year warranty), AAMA 2605 (10 year; up to 20 year warranty). Scratch & fade resistant; contains no VOCs.*



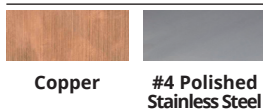
Powder Coat Solids AAMA 2604 (10 year warranty), AAMA 2605 (10 year; up to 20 year warranty). Scratch & fade resistant; contains no VOCs.*



Powder Coat Metallics AAMA 2604, AAMA 2605*



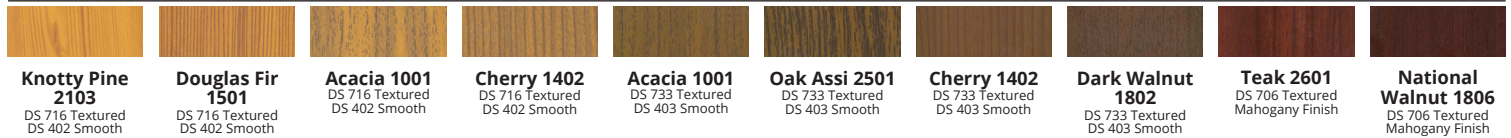
Metal Clad STANDARD*



Metal Clad DESIGNER*



Decoral Finishes (Powder Coat)*



Wood Veneering (Unfinished) STANDARD*



Wood Veneering (Unfinished) DESIGNER*



NOTE: WOOD VENEERING IS FOR INTERIOR APPLICATIONS ONLY. AVAILABLE ON A LIMITED BASIS DUE TO VENDOR SUPPLY.

*Adds one to three weeks to lead time.

Note: Depending upon color selection, additional charges and increased lead times may apply. Extended warranties and service plans are available for an additional charge. Examples are shown as accurate as photography and printing processes allow. Final finish selection should be made from a physical sample; contact Solar Innovations® for samples. Product and finish options are subject to vendor availability. Solar Innovations® reserves the right to discontinue any option at any time without notice. Additional options, including custom color match, are available; contact Solar Innovations® for details. FSC options available.