

RIDGE AND EAVE VENTILATION

SERIES SI6300



A breath of fresh air.

Ridge vents and eave vents are an essential part of any functioning glass structure with a functional, passive ventilation system. When the air is not vented, it becomes stagnant, stale, and allows diseases to breed. To help prevent this, ridge vents and eave vents need to be installed in a greenhouse. Both units are operable panes of glass enclosed within a frame separate from the greenhouse's structural frame. The ridge vent is very important to the greenhouse. Hot air rises and accumulates at the peak of the greenhouse. As the ridge vents are opened, the hot air escapes and fresh, cool air enters, allowing the air to circulate.

FEATURES

SYSTEM:

- Sloped & vertical operations
- Thermally enhanced aluminum profile
- Motorized operation possible
- Manual operation available with a pole operator
- LEED friendly system including recycled content
- Designed and manufactured in the U.S.A.

PERFORMANCE:

- Thermally broken utilizing thermal fill & debridge

GLAZING:

- Designed to accommodate almost any monolithic, insulated, laminated, decorative, polycarbonate, or solid panel infill from 3/16" to 1"
- Oversized units upon request

OPTIONS

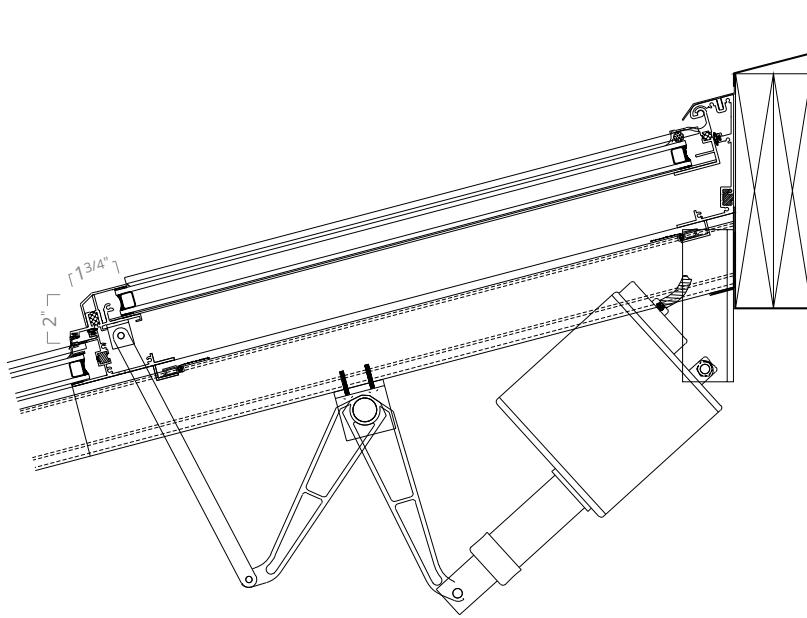
FINISHES:

- Standard finishes
 - AAMA 2603: Bronze, White
 - AAMA 611 Class I Anodized: Clear, Dark Bronze
- Designer finishes
 - AAMA 2603: Hartford Green, Black, Natural Clay, Sandstone
- Custom finishes
 - Powder coat finish: AAMA 2604 - 2605
 - Fluoropolymer (50% or 70%): AAMA 2604 - 2605
 - Wood veneer & metal cladding options

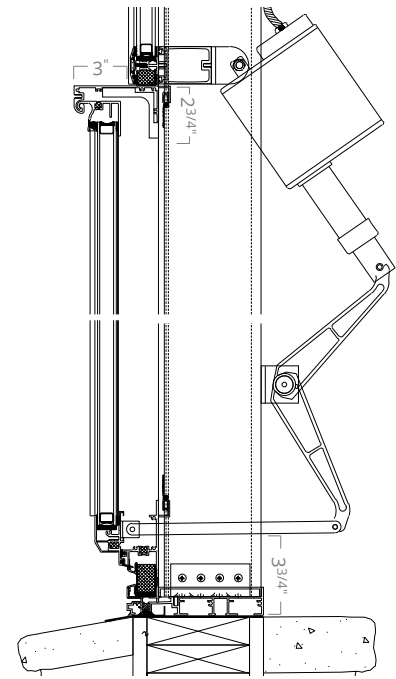
ACCESSORIES:

- Integrated rain sensors
- Integrated wireless remote and thermostatic controls
- Fixed mesh insect screen

RIDGE VENT DETAILS

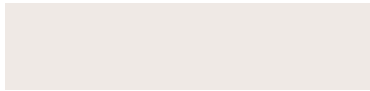


EAVE VENT DETAILS



FINISH OPTIONS

Stock Finishes



SI White



SI Bronze



Class I Clear Anodized



Dark Bronze Anodized

Designer Finishes



SI Black



SI Sandstone



SI Natural Clay



SI Hartford Green

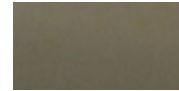
Metal Cladding



Copper



Lead Coated
Copper



304 Stainless Steel
#4 Satin Cladding



304 Stainless Steel
#8 Mirror Cladding

Faux Wood Finishes



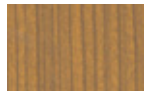
Acacia 1001
DS 716 Textured
DS 402 Smooth



Acacia 1001
DS 733 Textured
DS 403 Smooth



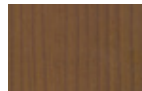
Douglas Fir 1501
DS 716 Textured
DS 402 Smooth



Cherry 1402
DS 716 Textured
DS 402 Smooth



Knotty Pine 2103
DS 716 Textured
DS 402 Smooth



Cherry 1402
DS 733 Textured
DS 403 Smooth



Oak Assi 2501
DS 733 Textured
DS 403 Smooth



Dark Walnut
1802
DS 733 Textured
DS 403 Smooth



Teak 2601
DS 706 Textured
Mahogany Finish



National
Walnut 1806
DS 706 Textured
Mahogany Finish

Wood Veneering (Unfinished)



White Oak



Birch



Mahogany



Southern
Yellow Pine



Northern
White Pine



Red Oak



Spanish Cedar



Western
Red Cedar



Douglas Fir



White Maple

Please Note: Depending upon color selection, additional charges and increased lead times may apply. Color illustrations are shown as accurate as standard photography and printing processes allow. Final finish selection should be made from a physical sample; please contact Solar Innovations® to receive samples. All product and finish options are subject to vendor availability. Solar Innovations® reserves the right to discontinue any option at any time without notice. Additional options, including custom color match, are available; contact Solar Innovations® for details.

To find out more about the features and options of our Ridge and Eave Vents, visit our website at solarinnovations.com/greenhouse-accessories/ventilation/