



US010077588B1

(12) **United States Patent Header**

(10) **Patent No.:** US 10,077,588 B1
(45) **Date of Patent:** Sep. 18, 2018

(54) **PATH GUIDE FOR MOVABLE PARTITION ASSEMBLIES**
(71) Applicant: **Gregory A Header**, Richland, PA (US)
(72) Inventor: **Gregory A Header**, Richland, PA (US)
(*) Notice: Subject to any disclaimer, the term of this patent is extended or adjusted under 35 U.S.C. 154(b) by 0 days.

2,841,219 A 7/1958 Helwig
2,944,282 A 7/1960 Greco
3,015,359 A 1/1962 ●gburn
3,052,000 A 9/1962 Ferrett
3,071,825 A * 1/1963 Ferris B65G 9/002
104/105
3,241,197 A * 3/1966 Gogerty E04B 2/827
104/105
3,279,123 A 10/1966 Genison
3,343,205 A * 9/1967 Gogerty E04B 2/827
16/106
3,494,407 A 2/1970 Hollands et al.
3,610,313 A 10/1971 Friedrich
(Continued)

(21) Appl. No.: **15/626,053**
(22) Filed: **Jun. 16, 2017**

FOREIGN PATENT DOCUMENTS

(51) **Int. Cl.**
E05D 15/06 (2006.01)
E04B 2/82 (2006.01)
(52) **U.S. Cl.**
CPC **E05D 15/0608** (2013.01); **E04B 2/827** (2013.01); **E05D 15/0652** (2013.01); **E05Y 2201/614** (2013.01); **E05Y 2201/684** (2013.01); **E05Y 2900/142** (2013.01)

AU 4121868 A1 1/1970
CA 2106766 A1 9/1992
(Continued)

OTHER PUBLICATIONS

(58) **Field of Classification Search**
CPC E05D 15/0608; E05D 15/0652; E05D 15/0613; E05Y 2900/142; E05Y 2201/684; E05Y 2201/614; Y10T 16/376; E04B 2/827
USPC 52/64, 238.1, 243.1, 242; 16/95 R, 94 R, 16/96 R, 87 R; 104/105, 130.09; 49/127
See application file for complete search history.

Installation Manual Nana Wall HSW75 Single Track Sliding Frameless System, Dec. 2015, Nana Wall Systems, Inc., Corte Madera, California, US.
(Continued)

Primary Examiner — Brent W Herring
(74) *Attorney, Agent, or Firm* — Stone Creek Services LLC; Alan M Flum

(56) **References Cited**

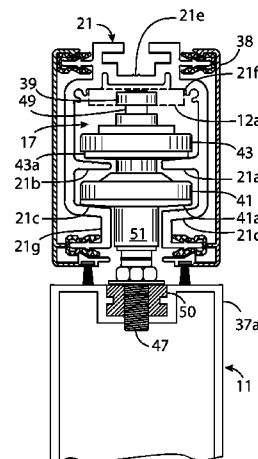
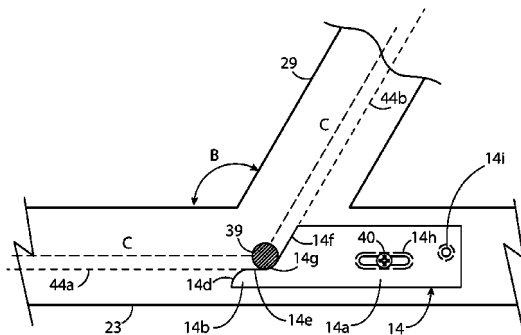
(57) **ABSTRACT**

U.S. PATENT DOCUMENTS

A movable partition system that can include branched overhead rails where movable panels, such as glass doors, wall panels, are guided along the branched overhead rails by path guides positioned with the overhead rails. The guide paths are shaped and aligned within the overhead rails to provide a smooth transition at the junction between overhead rails. The combination is suitable for use with both right-angle and oblique angle branched overhead rails.

570,711 A 11/1896 Newhall
840,732 A 1/1907 Wyeth
963,752 A 7/1910 Duner
1,246,314 A 11/1917 Palmer
1,357,299 A 11/1920 Phillips
1,570,958 A 1/1926 Frantz
2,657,436 A 11/1953 Fairhurst

18 Claims, 22 Drawing Sheets



(56)

References Cited

U.S. PATENT DOCUMENTS

3,708,916 A * 1/1973 Karp, Jr. E05D 15/0613
104/105
3,843,995 A * 10/1974 Merrill B60B 33/00
16/102
3,879,799 A 4/1975 Williams
4,141,106 A * 2/1979 Dixon E05D 15/0613
16/89
4,214,535 A 7/1980 Gerhard
4,302,865 A * 12/1981 Dixon E05D 15/0613
16/102
4,555,828 A 12/1985 Matimura
4,569,164 A 2/1986 Dickson
4,752,987 A 6/1988 Dreyer et al.
4,852,628 A 8/1989 Klein
5,016,318 A 5/1991 Harris
5,181,296 A * 1/1993 Williams E05D 15/0613
104/94
5,230,123 A 7/1993 Williams
5,329,857 A * 7/1994 Owens E01B 25/26
104/103
5,357,651 A 10/1994 Jones et al.
5,406,676 A * 4/1995 Williams E05D 15/0613
16/87 R
5,448,855 A * 9/1995 Sjolholm E05D 15/0621
160/201
6,581,242 B2 * 6/2003 Owens E04B 2/827
16/107
7,185,589 B2 * 3/2007 Owens E05D 15/0608
104/89
7,255,045 B2 8/2007 Owens
8,186,123 B2 5/2012 Klaffke et al.
8,256,062 B2 * 9/2012 Banks E05D 15/0613
16/87 R
8,590,233 B2 11/2013 Sprague
8,627,621 B2 1/2014 Liebscher et al.
8,819,993 B1 9/2014 Chen
9,228,387 B2 1/2016 Header
9,470,028 B2 10/2016 Header et al.
2005/0011398 A1 * 1/2005 Owens E05D 15/0608
104/94
2006/0096494 A1 * 5/2006 Owens E05D 15/0608
104/88.01
2008/0109989 A1 * 5/2008 Sprague E04B 2/827
16/91
2008/0190043 A1 * 8/2008 Beckmann A47H 21/00
52/64
2009/0217839 A1 * 9/2009 Banks E05D 15/0613
104/130.09
2010/0038041 A1 2/2010 Lao
2010/0050530 A1 3/2010 Blasi
2010/0205865 A1 8/2010 Iwauchi et al.

2010/0243179 A1 9/2010 Burggraaf et al.
2016/0083985 A1 3/2016 Header
2016/0083986 A1 3/2016 Header

FOREIGN PATENT DOCUMENTS

DE 9001083 U1 8/1991
DE 102004027753 A1 1/2006
DE 202014102828 U1 8/2014
EP 1693541 A2 8/2006
EP 2360335 B1 9/2012
EP 2636835 B1 7/2015
EP 2982820 A2 2/2016
GB 367542 A 2/1932
GB 749539 A 5/1956
GB 1339747 A 12/1973
GB 1415158 A 1/1975
JP 2575328 B2 12/1991
JP 5163865 A 6/1993
JP 2895446 B2 1/1998
W● 0011298 A1 3/2000
W● 2006089758 A1 8/2006

OTHER PUBLICATIONS

Henderson 45R/550 AC 45 Degrees Right Without Rail Material, downloaded from the Internet from <http://www.qlussen.nl/item/11115638/Henderson-45R-550-wissel-45-graden-rechts-zonder-railmateriaal-C40-00010> on Dec. 22, 2016 (both original Dutch and Google machine translation into English).
Flexirol Multidirectional FRP02 Glass Profile, downloaded from <https://www.pchenderson.com/wp-content/uploads/2016/08/Flexirol-Multidirectional-FRP02-Glass-LVLA.pdf> on Dec. 22, 2016.
Commercial Sliding Door Hardware, Aug. 2016, pp. 37-48, PC Henderson Limited, Bowburn, Great Britain.
Stainless Steel Custom Bearings Moveable Glass Wall Partitions, Publication No. P-7282-KM, Apr. 2012, Kilian Manufacturing, Syracuse, New York, US.
Selected frames from Nanawall FoldFat® video showing construction of folding door and tracks, Downloaded from the Internet at <https://www.nanawall.com/> on Feb. 16, 2017.
Screenshots from Nanawall FoldFat® video, downloaded from the Internet at <https://www.nanawall.com/fold-flat> on Feb. 16, 2017.
NanaWall FoldFlat web page, downloaded from the Internet at <https://www.nanawall.com/products/foldflat> on Feb. 16, 2017.
Opening Glass Walls: Residential and Commercial | Folding, Sliding, Frameless, Sep. 2014, p. 35, NanaWall Systems, Inc., Cotre Madera, California, United States.
Aluminum Folding Systems, Sep. 2016, NanaWall Systems, Inc., Cotre Madera, California, United States.
Nulook Architects Manual, Version 1, 2011, May 2011, Chapter 2: Sovereign Series, pp. 62-75, Altus NZ Ltd., Auckland, New Zealand.

* cited by examiner

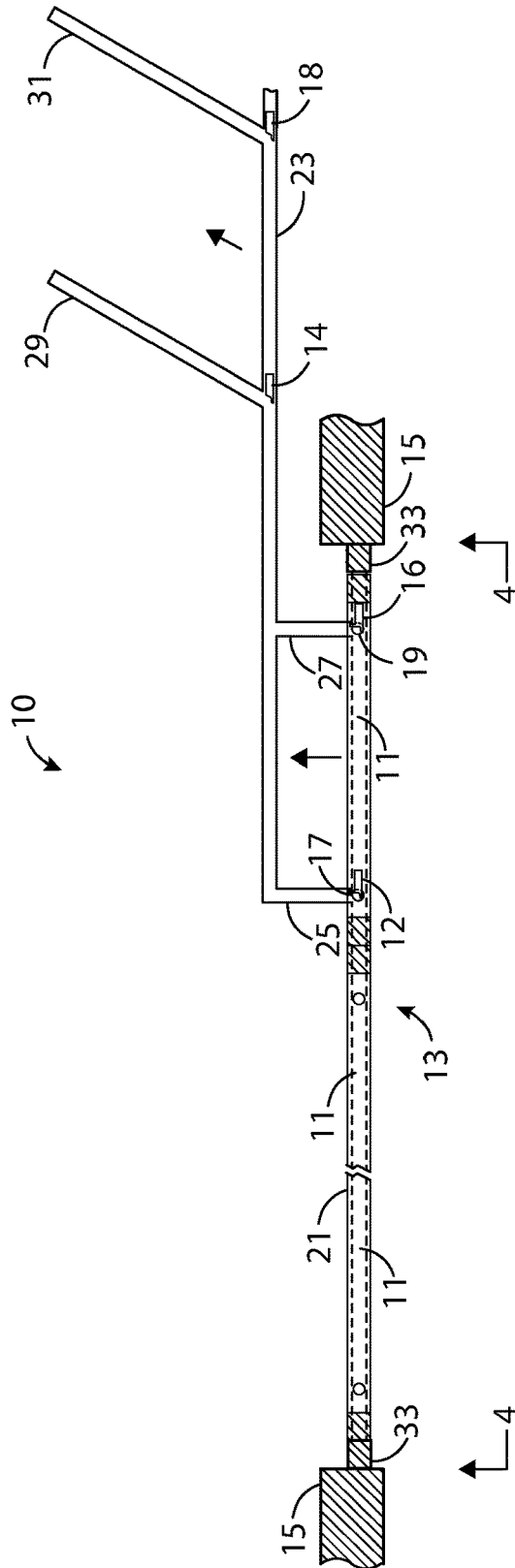
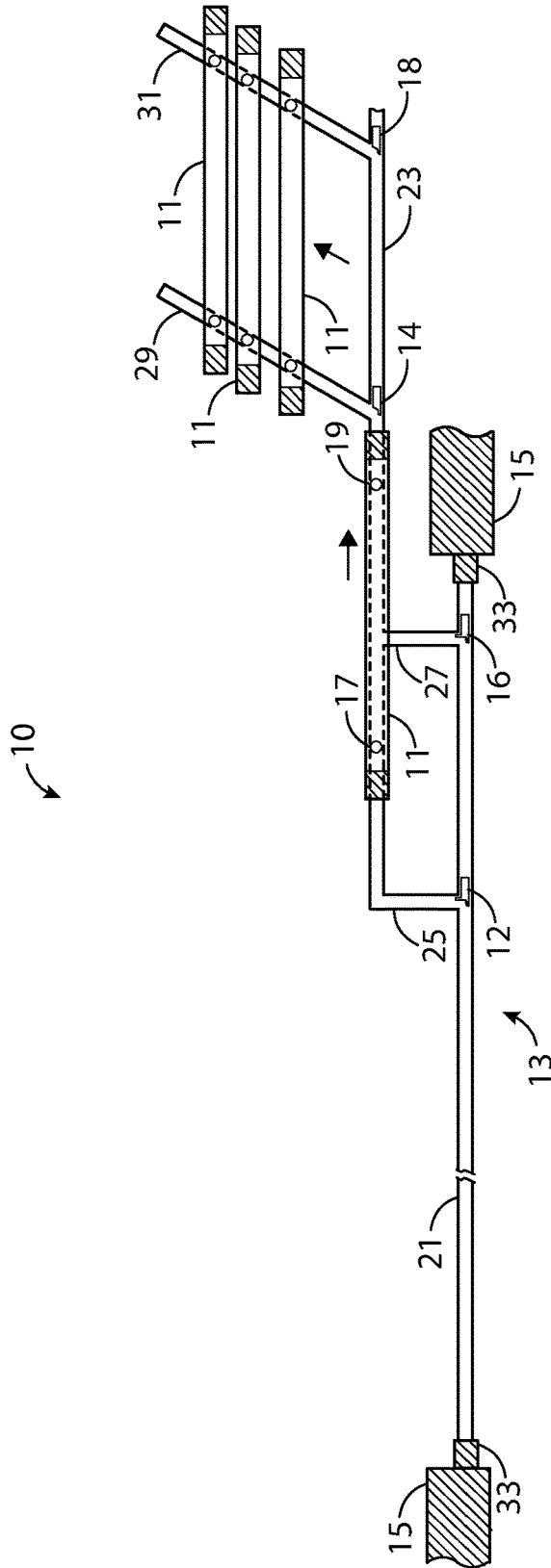


FIG. 1



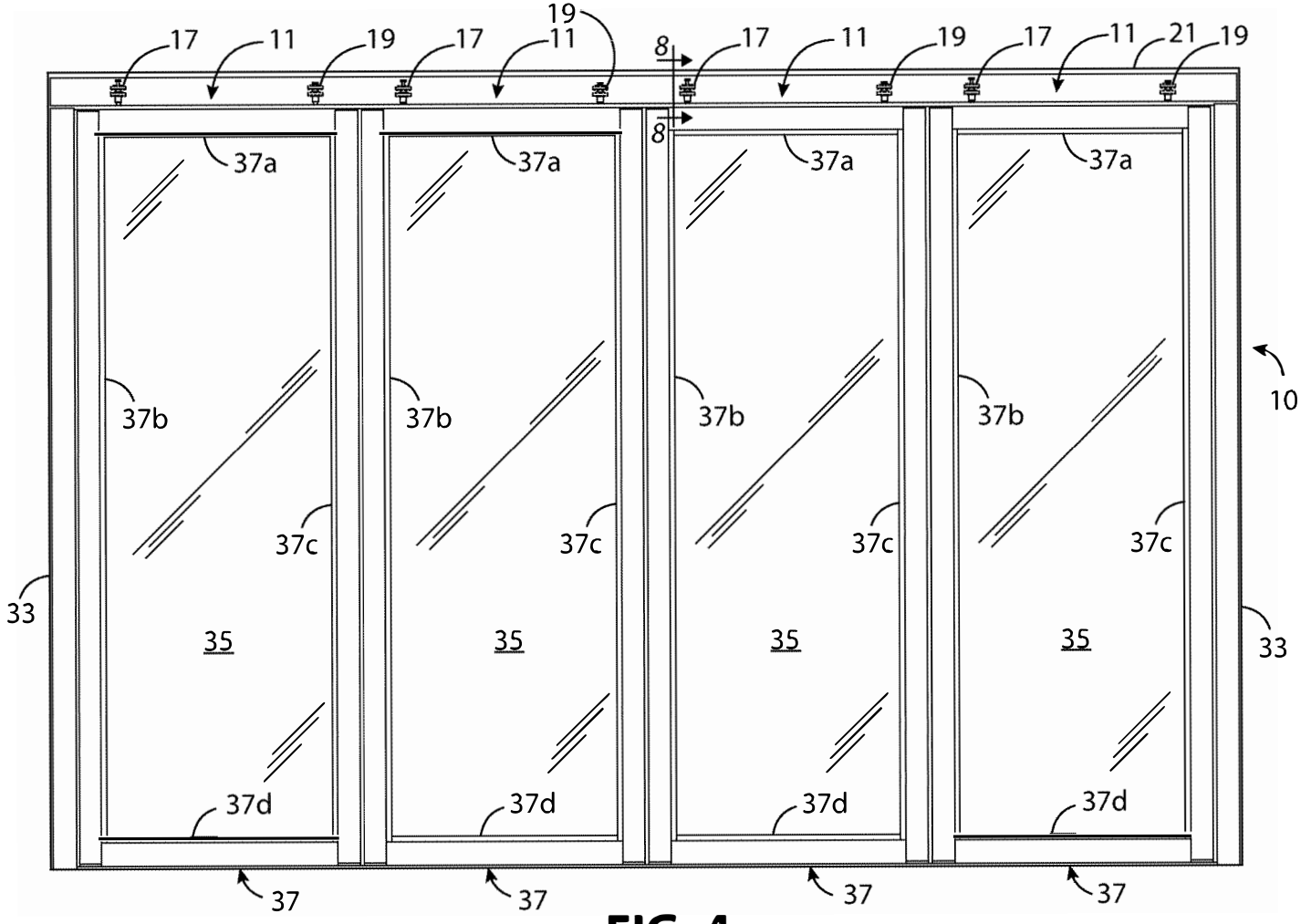


FIG. 4

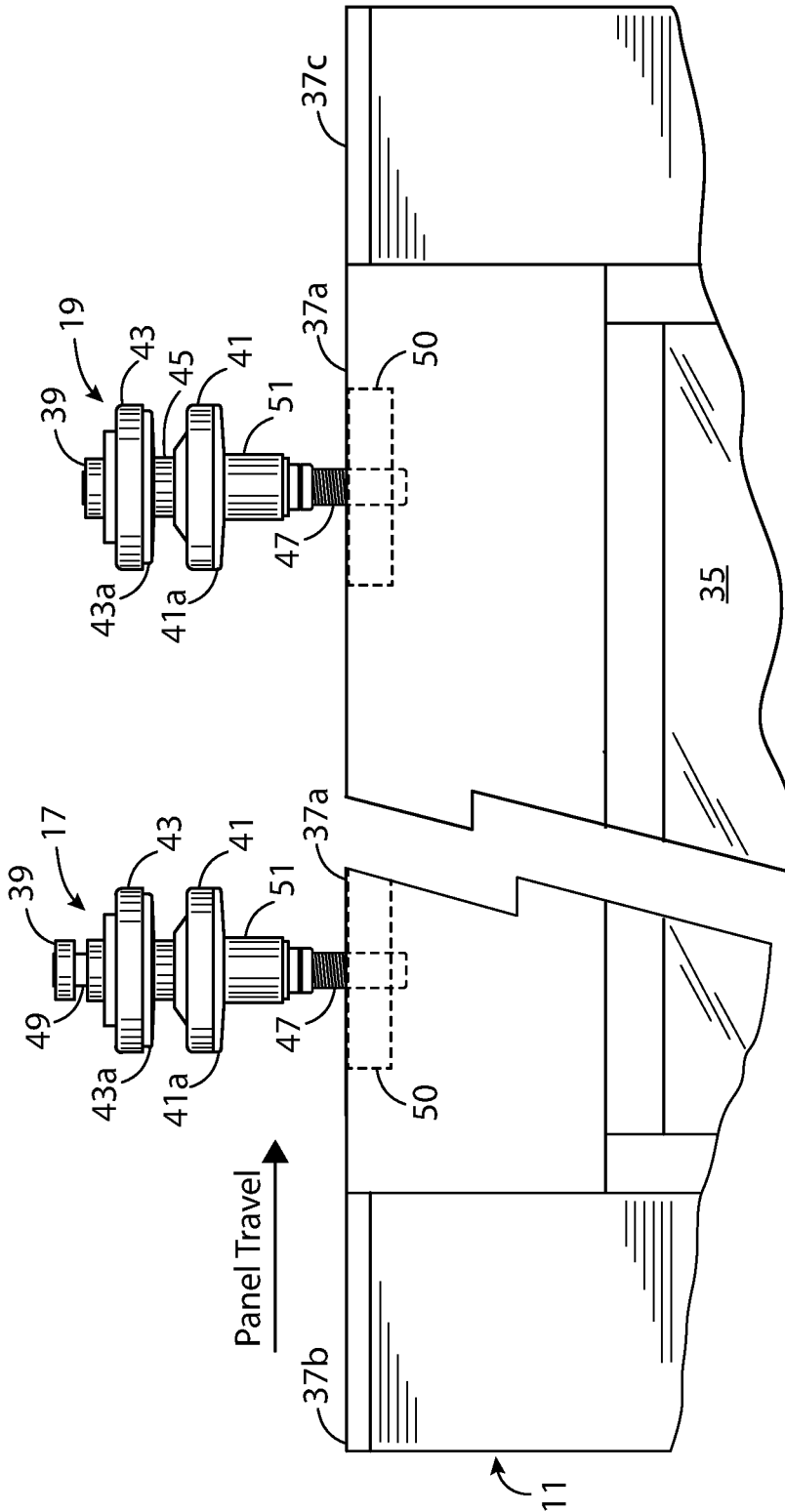


FIG. 5

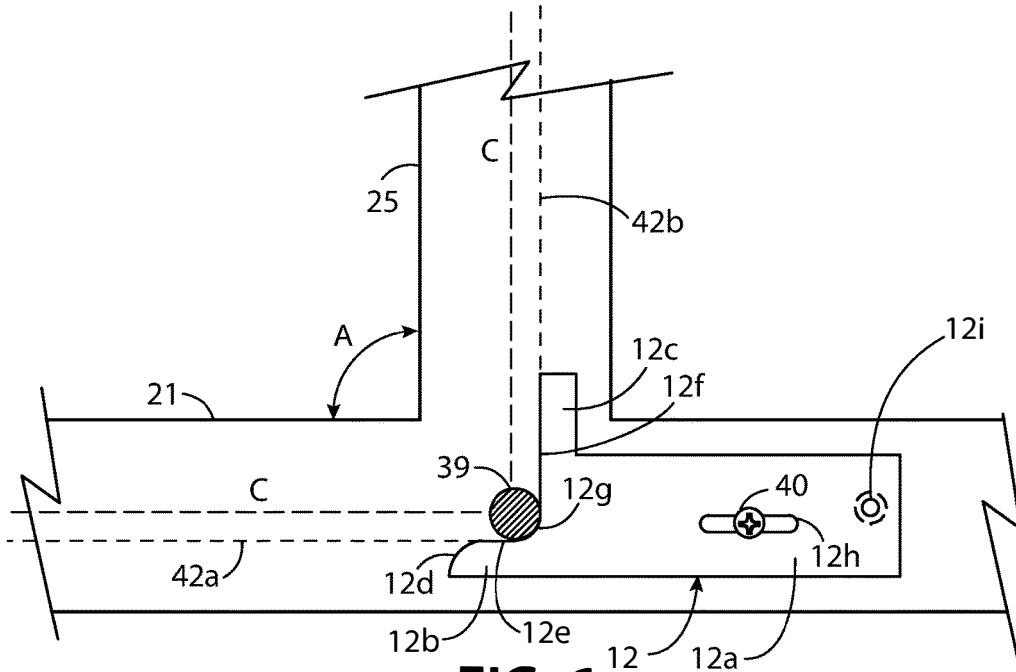


FIG. 6

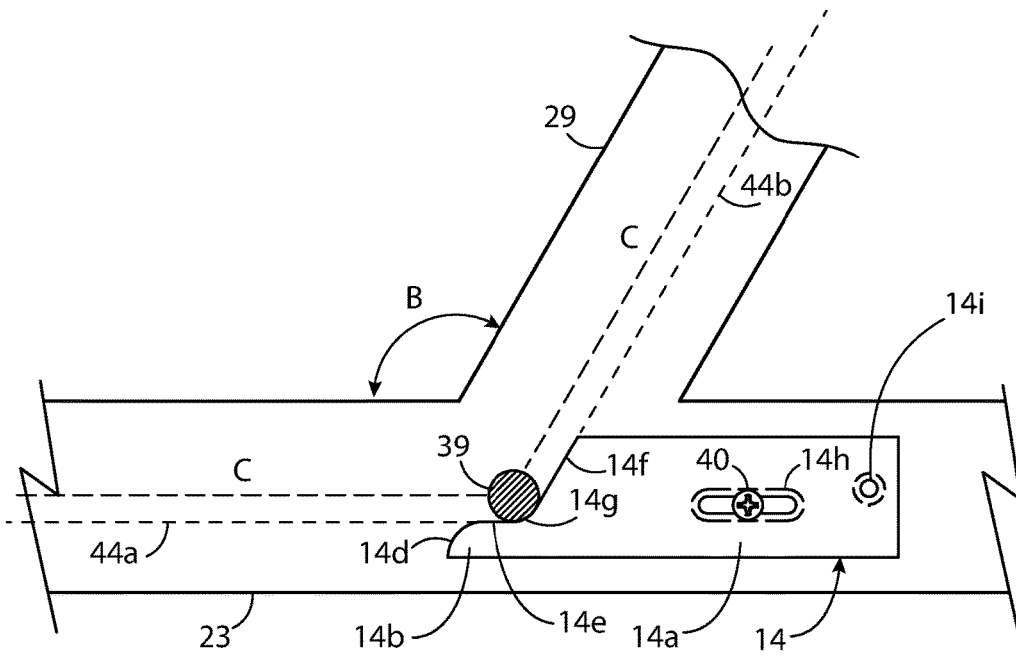


FIG. 7

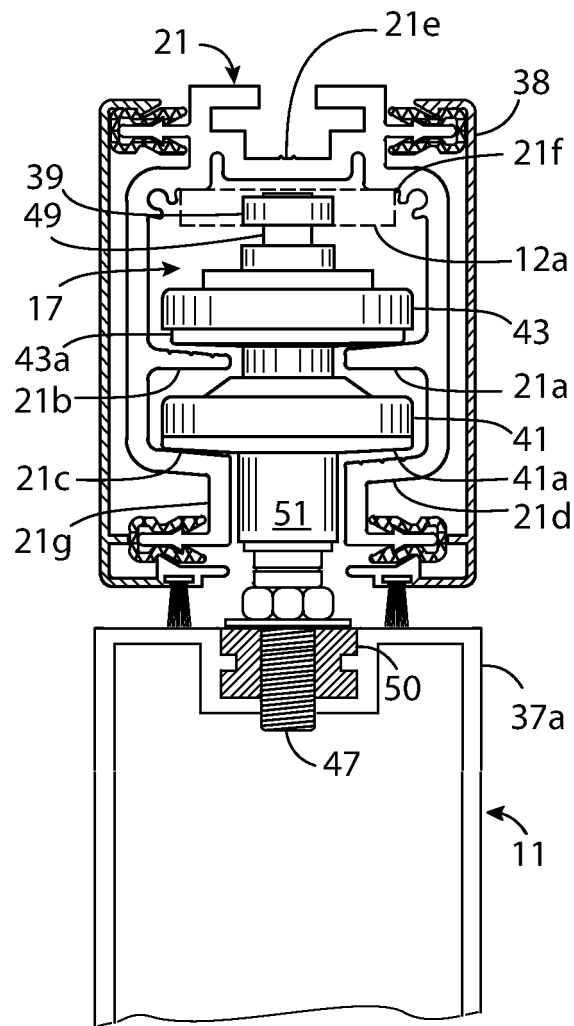


FIG. 8

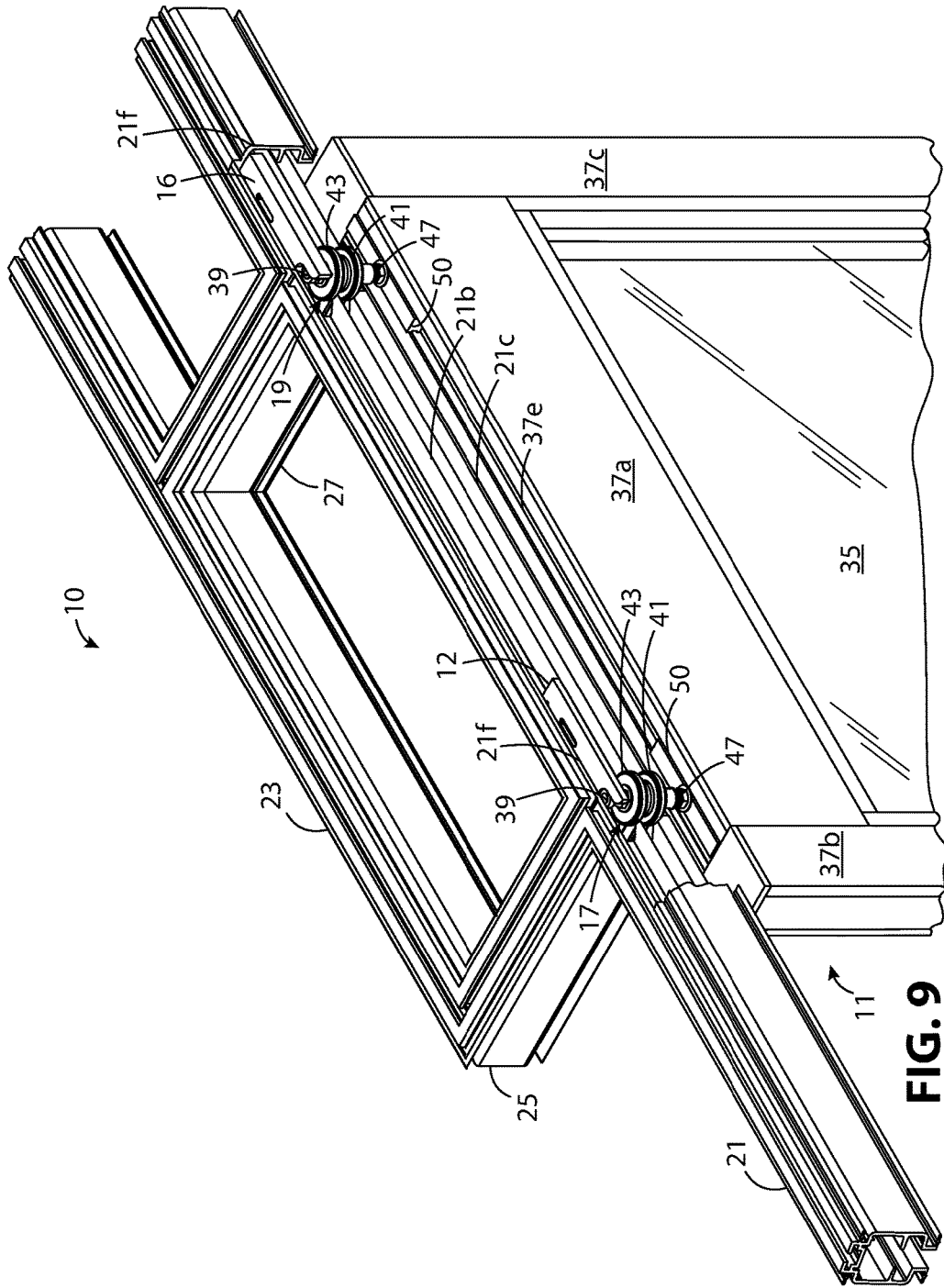


FIG. 9

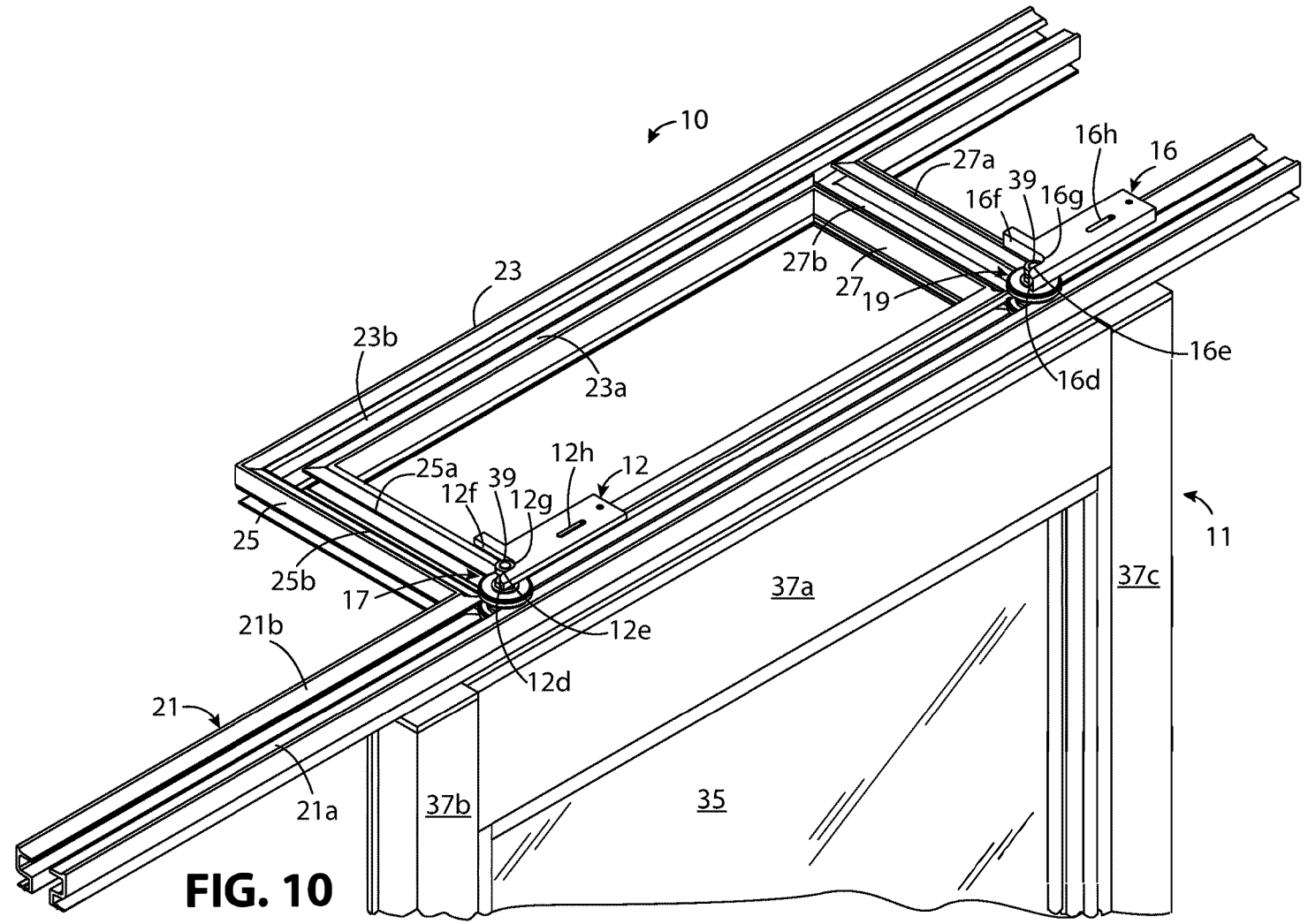


FIG. 10

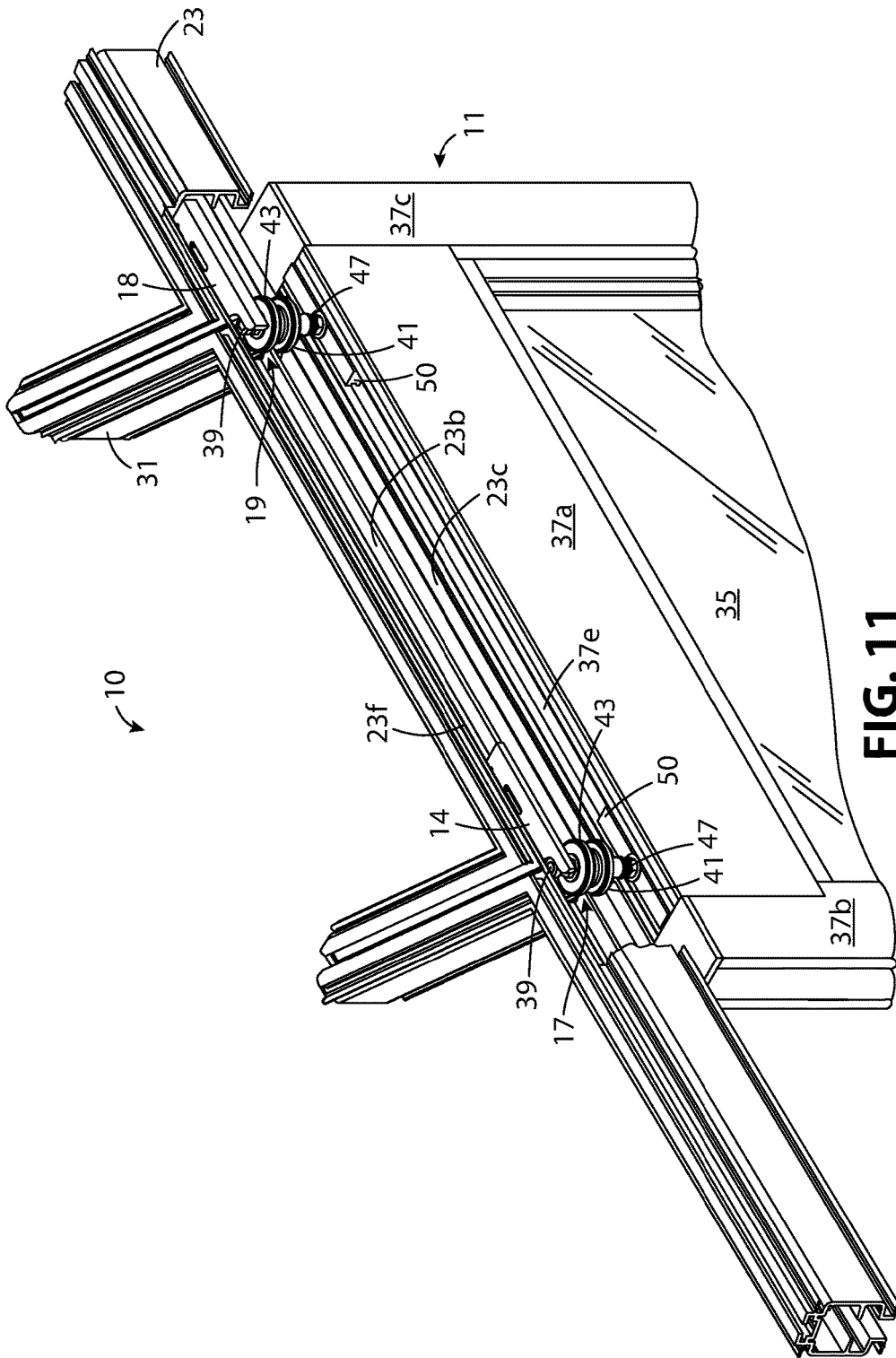


FIG. 11

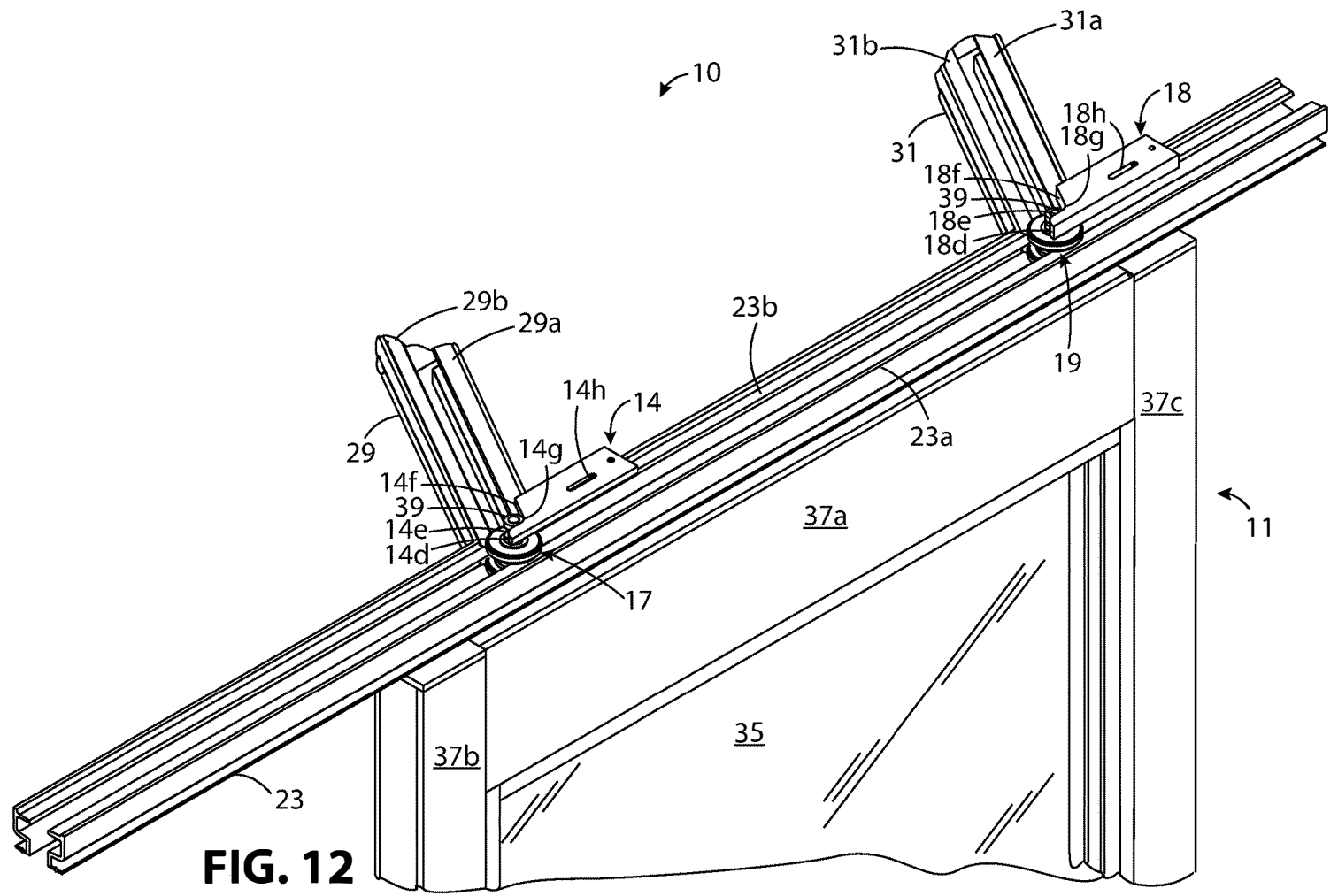


FIG. 12

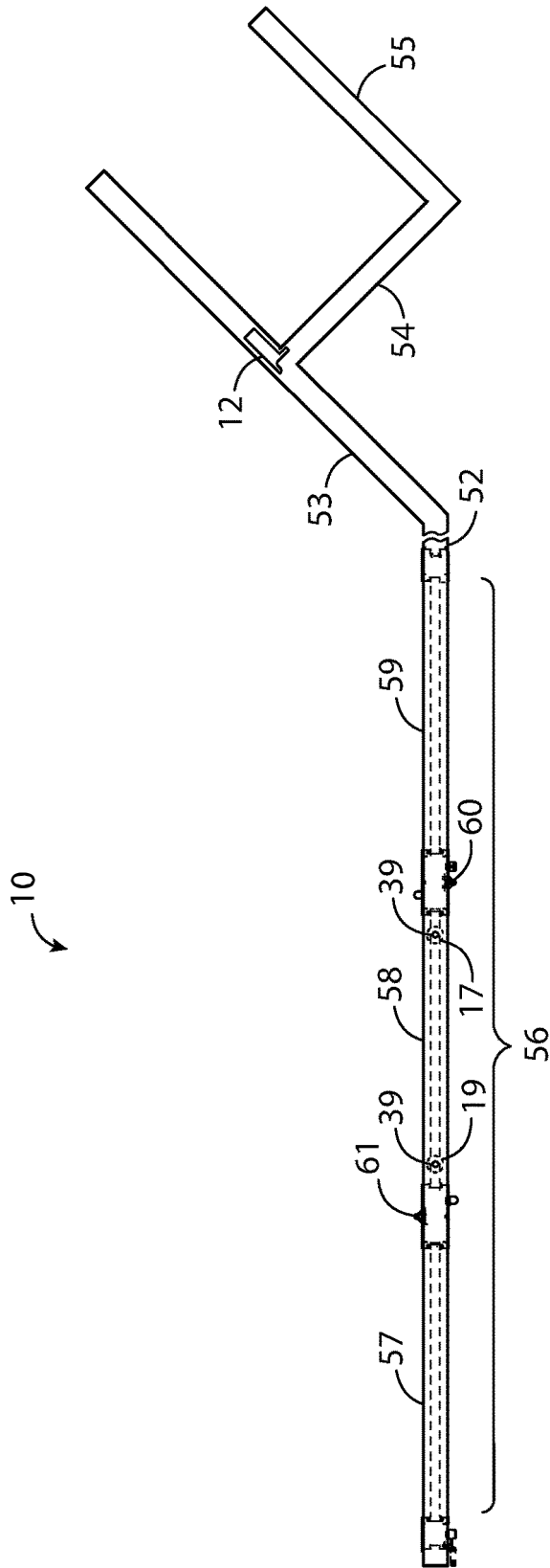


FIG. 13

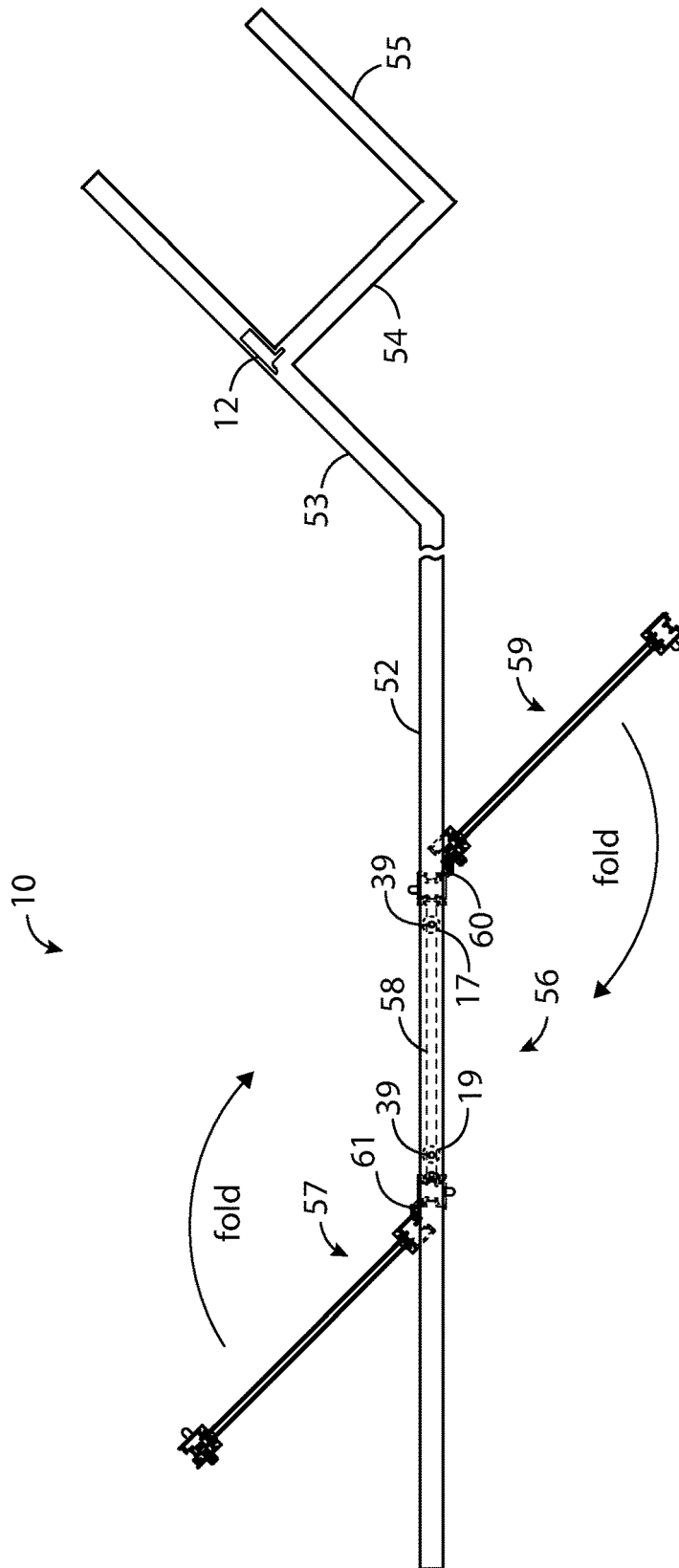


FIG. 14

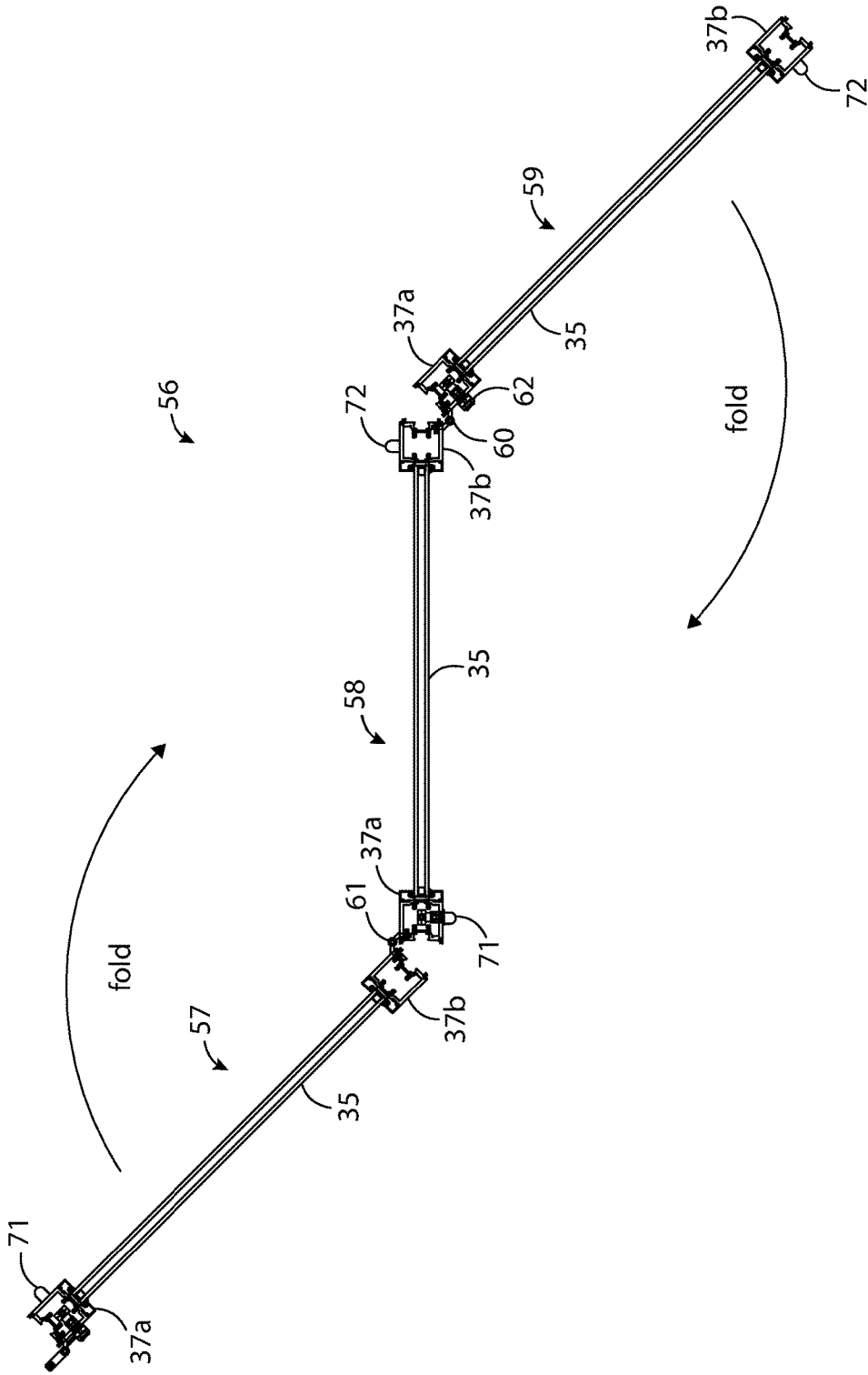


FIG. 15

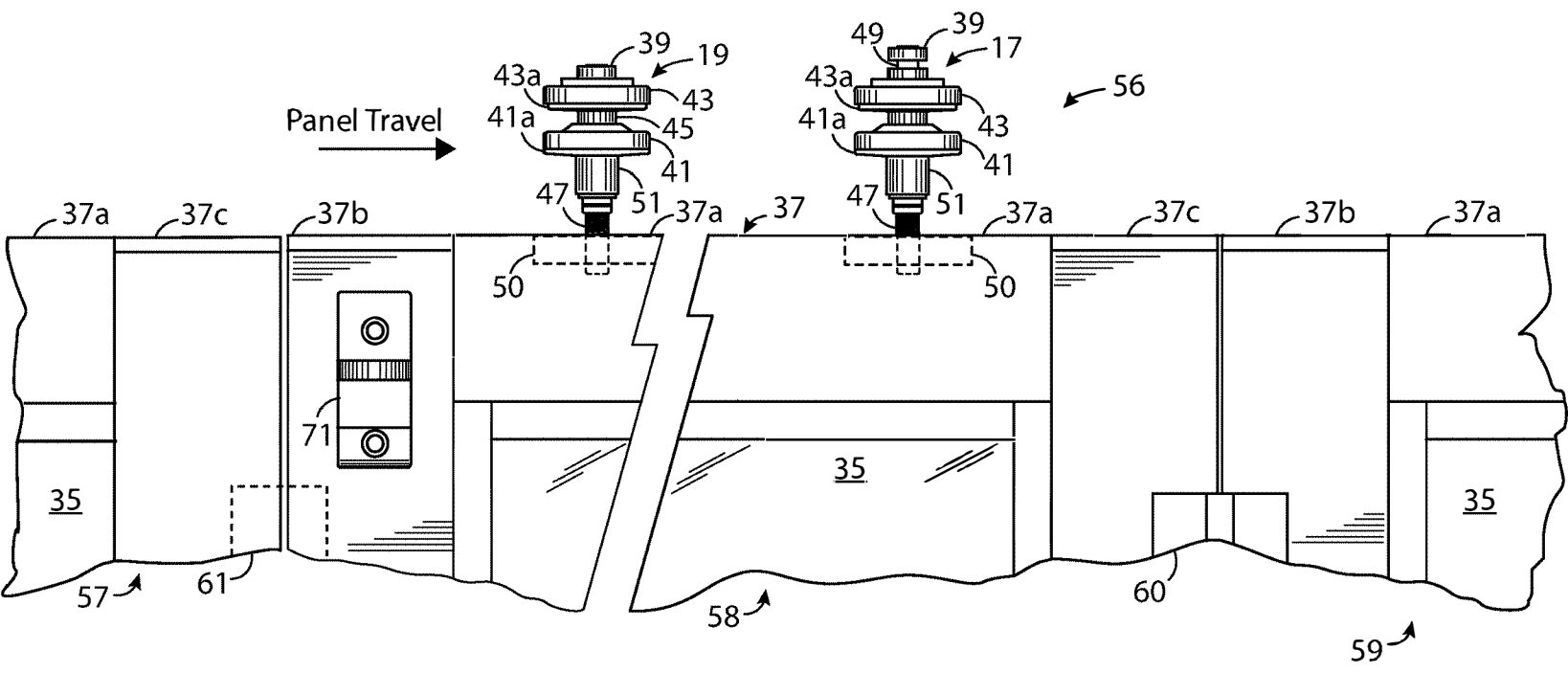


FIG. 16

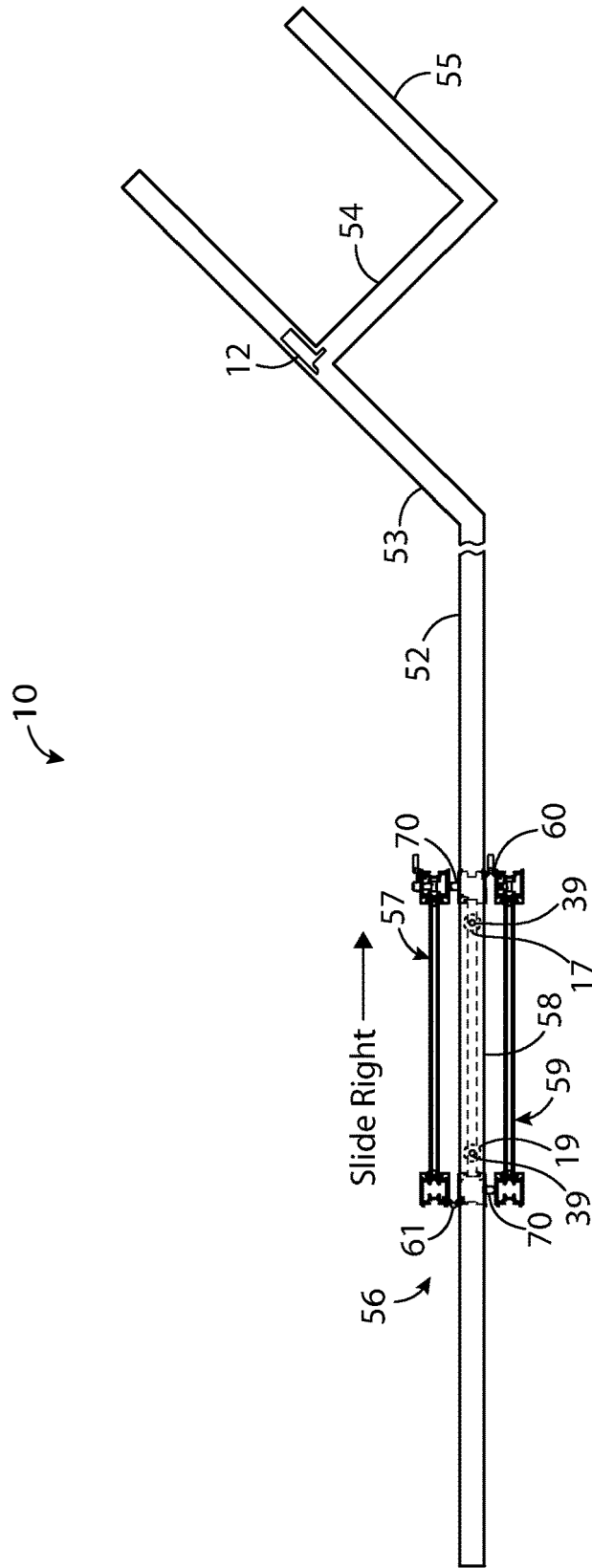


FIG. 17

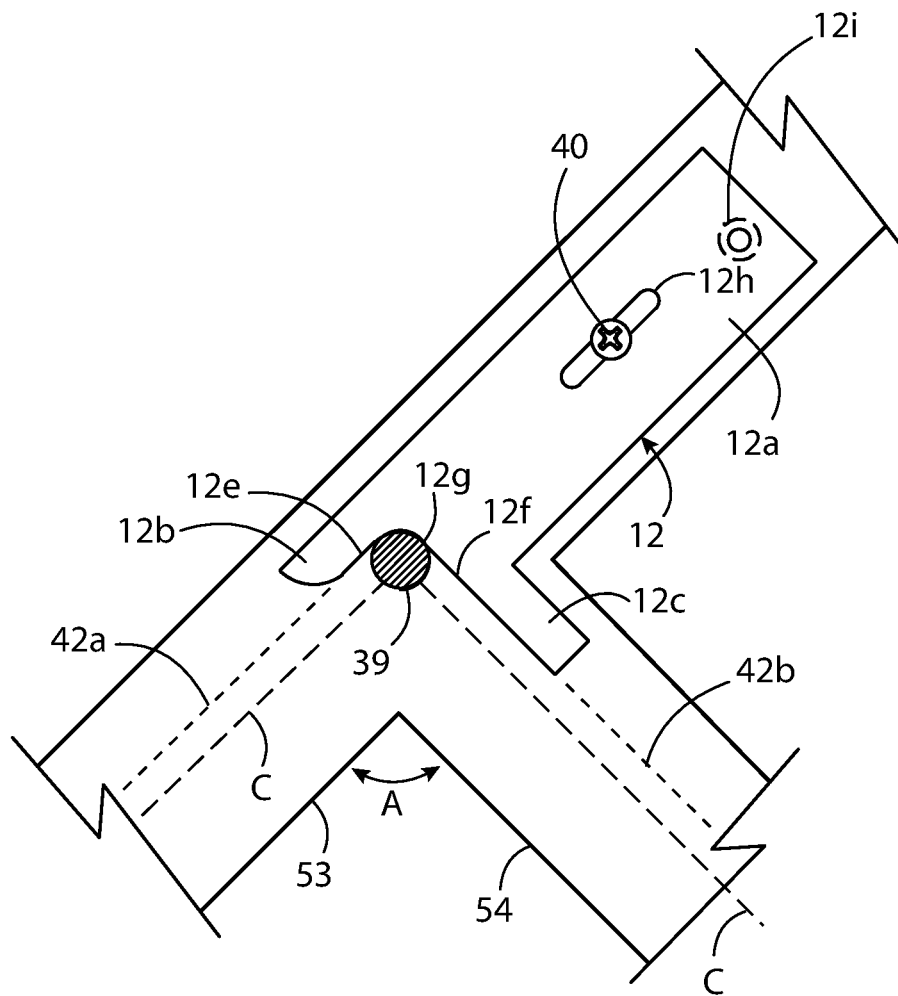


FIG. 18

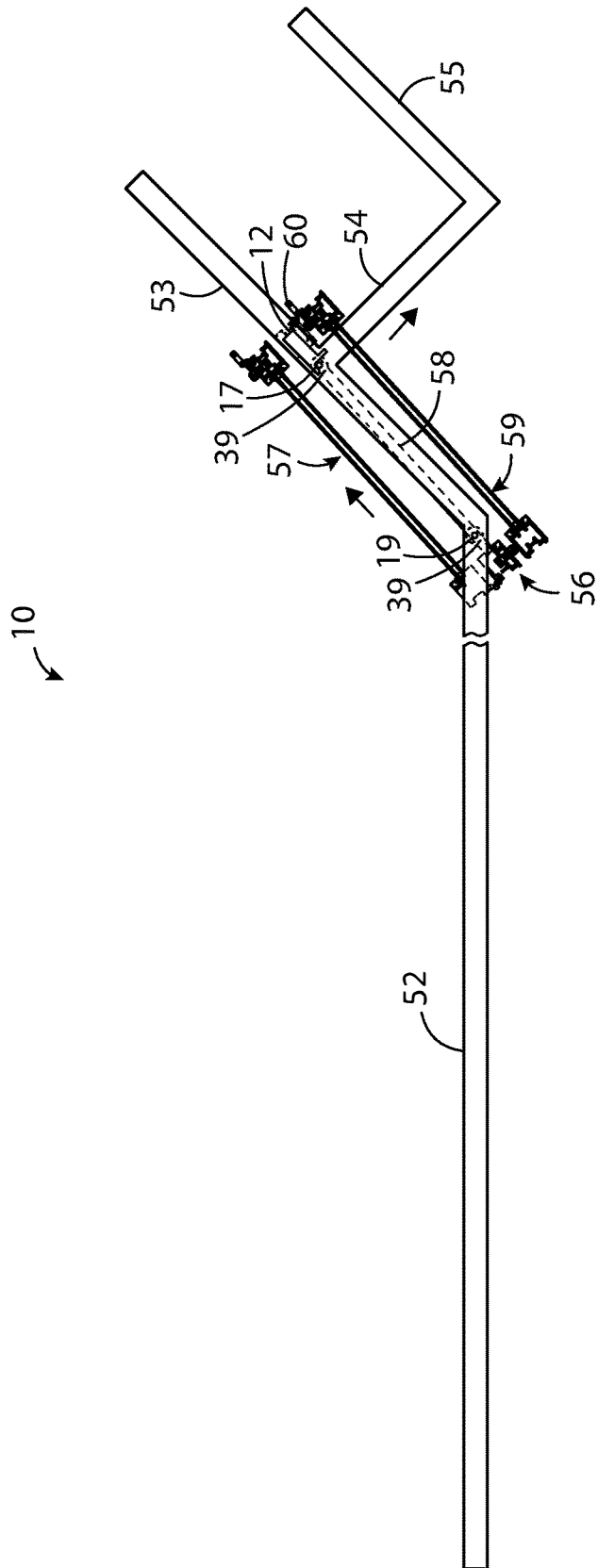


FIG. 19

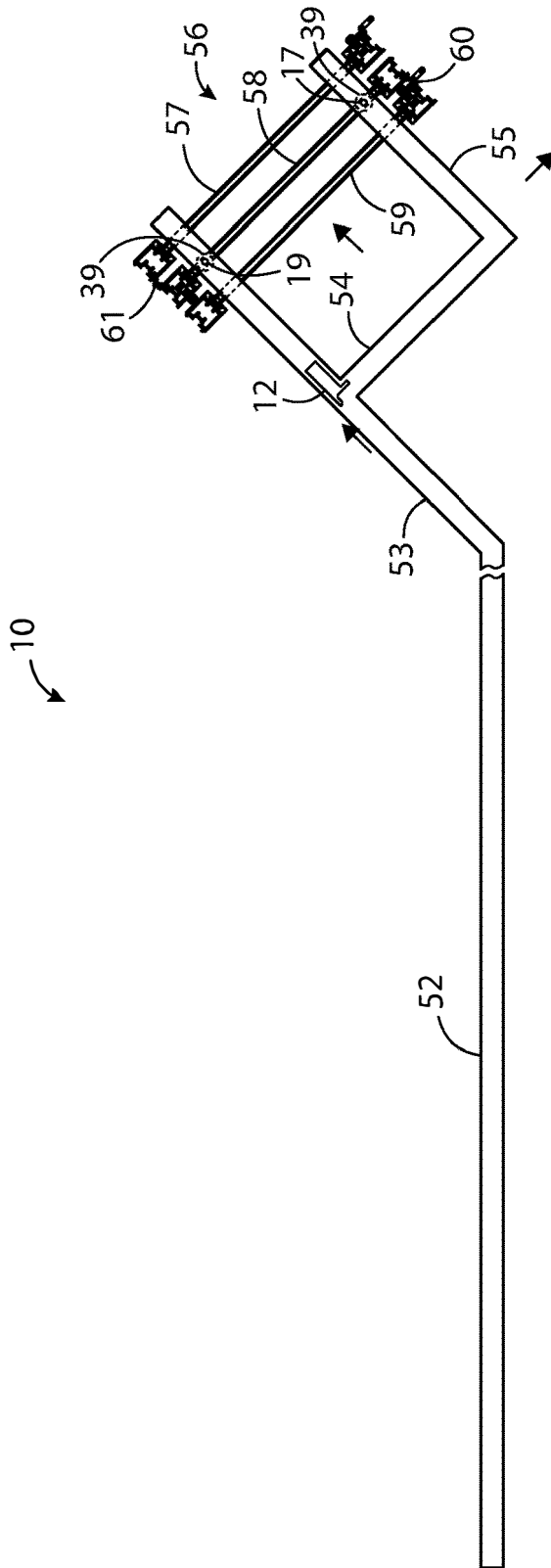


FIG. 21

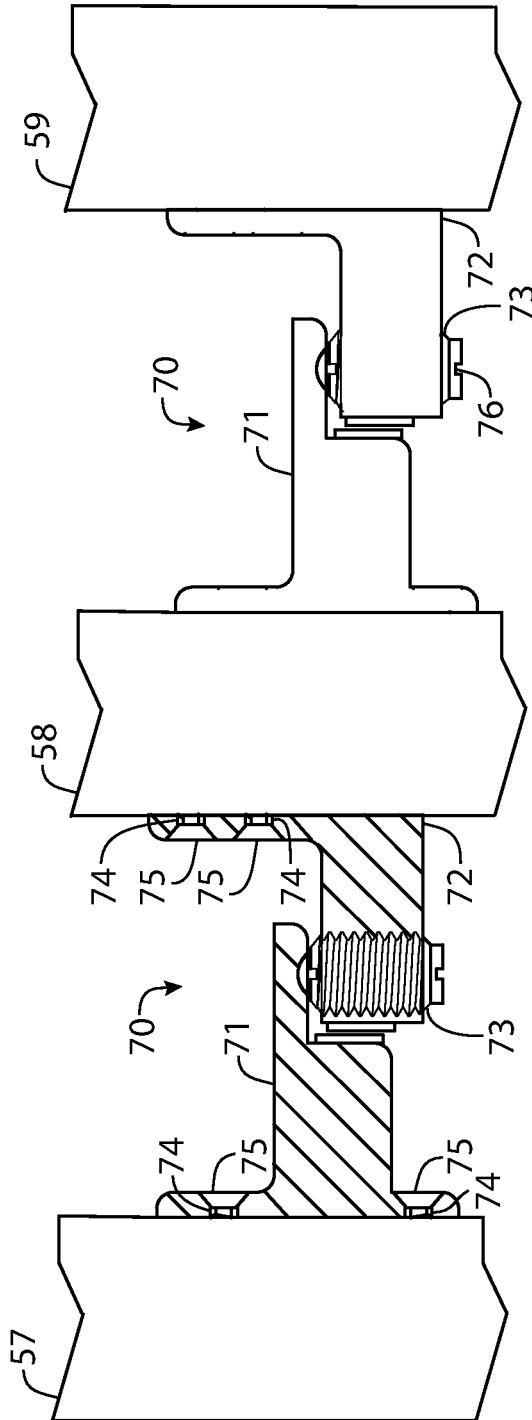


FIG. 22

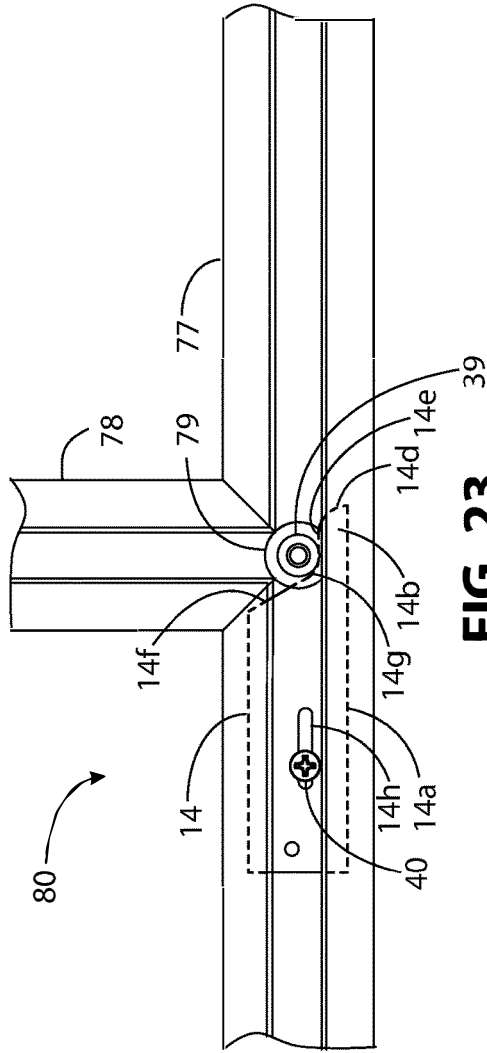


FIG. 23

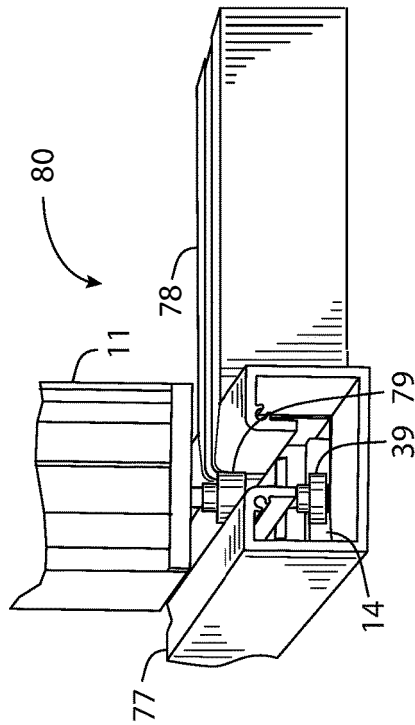


FIG. 24