



US010309138B2

(12) **United States Patent Header**

(10) **Patent No.:** US 10,309,138 B2
(45) **Date of Patent:** *Jun. 4, 2019

(54) **ADJUSTABLE PATH GUIDE FOR MOVABLE PARTITION ASSEMBLIES**

16/95 R, 94 R, 96 R, 87 R; 104/105, 104/130.09

See application file for complete search history.

(71) Applicant: **Gregory A Header**, Richland, PA (US)

(56) **References Cited**

(72) Inventor: **Gregory A Header**, Richland, PA (US)

U.S. PATENT DOCUMENTS

(*) Notice: Subject to any disclaimer, the term of this patent is extended or adjusted under 35 U.S.C. 154(b) by 0 days.

570,711 A	11/1896	Newhall
840,732 A	1/1907	Wyeth
963,752 A	7/1910	Duner
1,246,314 A	11/1917	Palmer
1,357,299 A	11/1920	Phillips
1,570,958 A	1/1926	Frantz

(Continued)

This patent is subject to a terminal disclaimer.

(21) Appl. No.: **16/102,095**

FOREIGN PATENT DOCUMENTS

(22) Filed: **Aug. 13, 2018**

AU	4121868 A1	1/1970
CA	2106766 A1	9/1992

(Continued)

(65) **Prior Publication Data**

US 2018/0363345 A1 Dec. 20, 2018

Related U.S. Application Data

(63) Continuation of application No. 15/626,053, filed on Jun. 16, 2017, now Pat. No. 10,077,588.

Installation Manual Nana Wall HSW75 Single Track Sliding Frameless System, Dec. 2015, Nana Wall Systems, Inc., Corte Madera, California, US.

(Continued)

(51) **Int. Cl.**

E05D 15/06 (2006.01)
E04B 2/82 (2006.01)

Primary Examiner — Brent W Herring

(52) **U.S. Cl.**

CPC **E05D 15/0608** (2013.01); **E04B 2/827** (2013.01); **E05D 15/063** (2013.01); **E05D 15/0652** (2013.01); **E05D 15/0613** (2013.01); **E05Y 2201/614** (2013.01); **E05Y 2201/684** (2013.01); **E05Y 2900/142** (2013.01)

(74) *Attorney, Agent, or Firm* — Stone Creek Services LLC; Alan M Flum

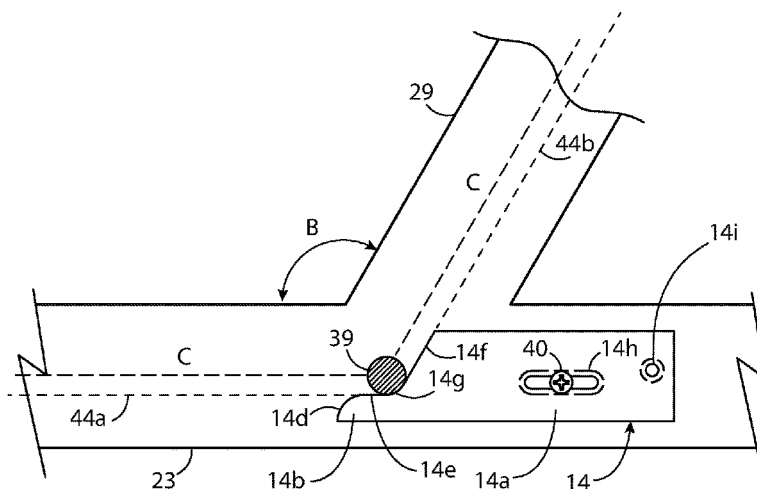
(57) **ABSTRACT**

(58) **Field of Classification Search**

CPC E05D 15/0608; E05D 15/063; E05D 15/0652; E05D 15/0613; E04B 2/827; E05Y 2900/142; E05Y 2201/614; E05Y 2201/684
USPC 49/127; 52/64, 238.1, 243.1, 242;

A movable partition system that can include branched overhead rails where movable panels, such as glass doors, wall panels, are guided along the branched overhead rails by path guides positioned with the overhead rails. The guide paths are shaped and aligned within the overhead rails to provide a smooth transition at the junction between overhead rails. The combination is suitable for use with both right-angle and oblique angle branched overhead rails.

18 Claims, 22 Drawing Sheets



(56)

References Cited

U.S. PATENT DOCUMENTS

2,657,436 A 11/1953 Fairhurst
 2,841,219 A 7/1958 Helwig
 2,944,282 A 7/1960 Greco
 3,015,359 A 1/1962 Ogburn
 3,052,000 A 9/1962 Ferrett
 3,071,825 A 1/1963 Ferris
 3,241,197 A 3/1966 Gogerty
 3,279,123 A 10/1966 Genison
 3,334,375 A * 8/1967 Hubbard E05D 15/0608
 3,343,205 A 9/1967 Gogerty
 3,494,407 A 2/1970 Hollands et al.
 3,610,313 A 10/1971 Friedrich
 3,708,916 A 1/1973 Karp, Jr.
 3,843,995 A 10/1974 Merrill
 3,879,799 A 4/1975 Williams
 4,141,106 A 2/1979 Dixon
 4,214,535 A 7/1980 Gerhard
 4,302,865 A 12/1981 Dixon
 4,555,828 A 12/1985 Matimura
 4,569,164 A 2/1986 Dickson
 4,752,987 A 6/1988 Dreyer et al.
 4,852,628 A 8/1989 Klein
 5,016,318 A 5/1991 Harris
 5,181,296 A 1/1993 Williams
 5,230,123 A 7/1993 Williams
 5,329,857 A 7/1994 Owens
 5,357,651 A 10/1994 Jones et al.
 5,406,676 A 4/1995 Williams
 5,448,855 A 9/1995 Sjolholm
 6,581,242 B2 6/2003 Owens
 7,185,589 B2 3/2007 Owens
 7,255,045 B2 8/2007 Owens
 8,186,123 B2 5/2012 Klaffke et al.
 8,256,062 B2 9/2012 Banks
 8,590,233 B2 11/2013 Sprague
 8,627,621 B2 1/2014 Liebscher et al.
 8,819,993 B1 9/2014 Chen
 9,228,387 B2 1/2016 Header
 9,470,028 B2 10/2016 Header et al.
 10,077,588 B1 * 9/2018 Header E05D 15/0608
 2005/0011398 A1 1/2005 Owens
 2006/0096494 A1 5/2006 Owens
 2008/0109989 A1 5/2008 Sprague
 2008/0190043 A1 8/2008 Beckmann
 2009/0217839 A1 9/2009 Banks
 2010/0038041 A1 2/2010 Lao
 2010/0050530 A1 3/2010 Blasi
 2010/0205865 A1 8/2010 Iwauchi et al.
 2010/0243179 A1 9/2010 Burggraaf et al.
 2013/0312333 A1 * 11/2013 Liao E05D 15/0608
 2016/0083985 A1 3/2016 Header
 2016/0083986 A1 3/2016 Header
 2018/0209145 A1 * 7/2018 Dickson E04B 2/827

FOREIGN PATENT DOCUMENTS

DE 9001083 U1 8/1991
 DE 102004027753 A1 1/2006
 DE 202014102828 A1 8/2014
 EP 1693541 A2 8/2006
 EP 2360335 B1 9/2012
 EP 2636835 B1 7/2015
 EP 2982820 A2 2/2016
 GB 367542 A 2/1932
 GB 749539 A 5/1956
 GB 1339747 A 12/1973
 GB 1415158 A 1/1975
 JP 2575328 B2 12/1991
 JP 5163865 A 6/1993
 JP 2895446 B2 1/1998
 WO 0011298 A1 3/2000
 WO 2006089758 A1 8/2006

OTHER PUBLICATIONS

Henderson 45R/550 AC 45 Degrees Right Without Rail Material, downloaded from the Internet from <http://www.qlussen.nl/item/011115638/Henderson-45R-550-wissel-45-graden-rechts-zonder-railmateriaal-C40-00010> on Dec. 22, 2016 (both original Dutch and Google machine translation into English).
 Flexirol Multidirectional FRP02 Glass Profile, downloaded from <https://www.pchenderson.com/wp-content/uploads/2016/08/Flexirol-Multidirectional-FRP02-Glass-LVLA.pdf> on Dec. 22, 2016.
 Commercial Sliding Door Hardware, Aug. 2016, pp. 37-48, PC Henderson Limited, Bowburn, Great Britain.
 Stainless Steel Custom Bearings Moveable Glass Wall Partitions, Publication No. P-7282-KM, Apr. 2012, Kilian Manufacturing, Syracuse, New York, US.
 Selected frames from Nanawall FoldFat video showing construction of folding door and tracks, Downloaded from the Internet at <https://www.nanawall.com/> on Feb. 16, 2017.
 Screenshots from Nanawall FoldFat video, downloaded from the Internet at <https://www.nanawall.com/fold-flat> on Feb. 16, 2017.
 NanaWall FoldFlat web page, downloaded from the Internet at <https://www.nanawall.com/products/foldflat> on Feb. 16, 2017.
 Opening Glass Walls: Residential and Commercial | Folding, Sliding, Frameless, Sep. 2014, p. 35, NanaWall Systems, Inc., Cotre Madera, California, United States.
 Aluminum Folding Systems, Sep. 2016, NanaWall Systems, Inc., Cotre Madera, California, United States.
 Nulook Architects Manual, Version 1, 2011, May 2011, Chapter 2: Sovereign Series, pp. 62-75, Altus NZ Ltd., Auckland, New Zealand.
 Non-Final Office Action for U.S. Appl. No. 15/626,053, dated Jan. 22, 2018, United States Patent and Trademark Office, Alexandria, Virginia, United States.
 Final Office Action for U.S. Appl. No. 15/626,053, dated Jul. 5, 2018, United States Patent and Trademark Office, Alexandria, Virginia, United States.
 Notice of Allowance for or U.S. Appl. No. 15/626,053, dated Jul. 25, 2018, United States Patent and Trademark Office, Alexandria, Virginia, United States.

* cited by examiner

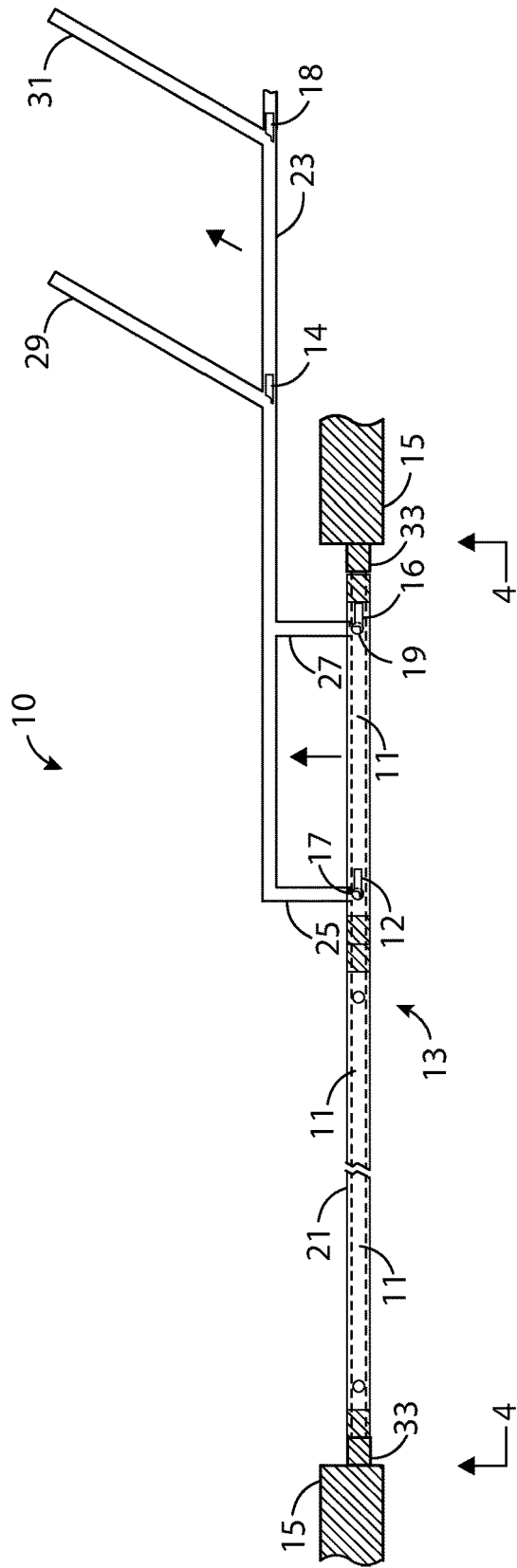


FIG. 1

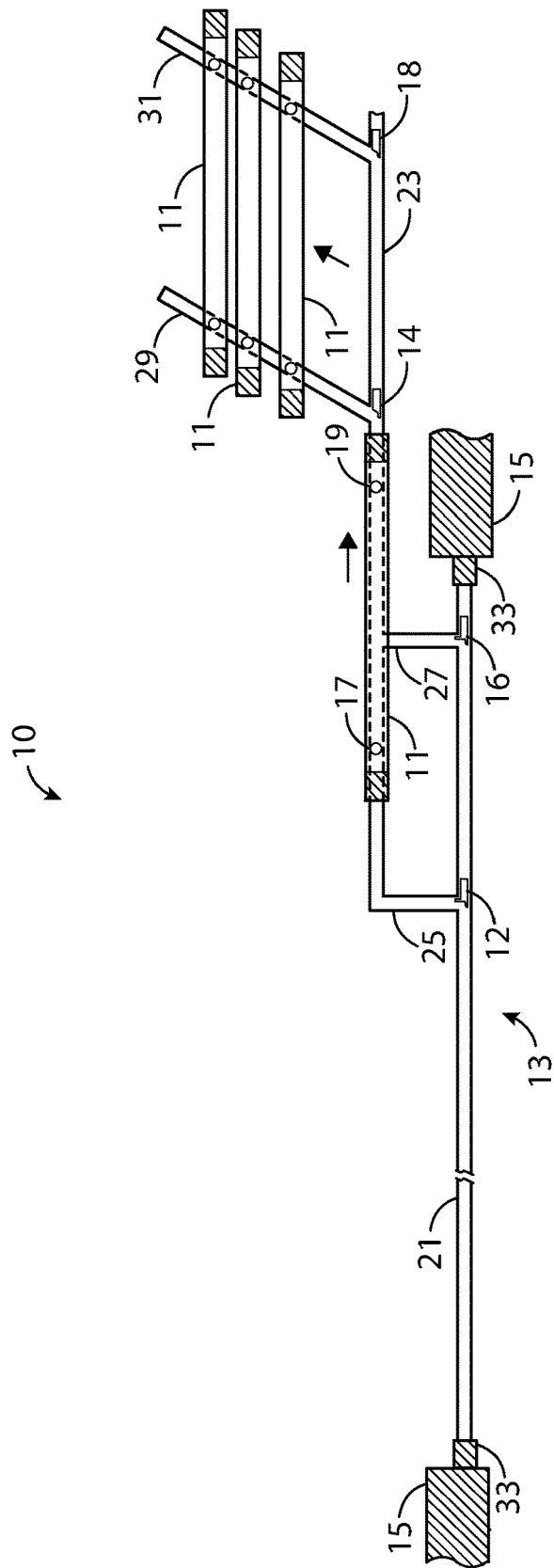


FIG. 2

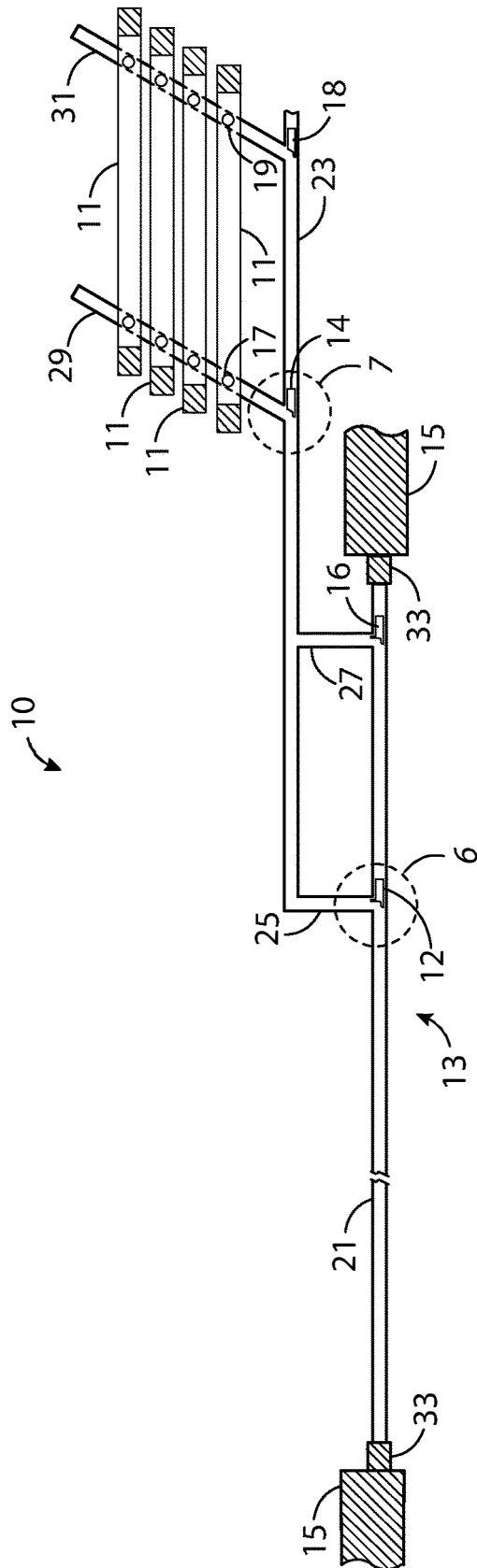


FIG. 3

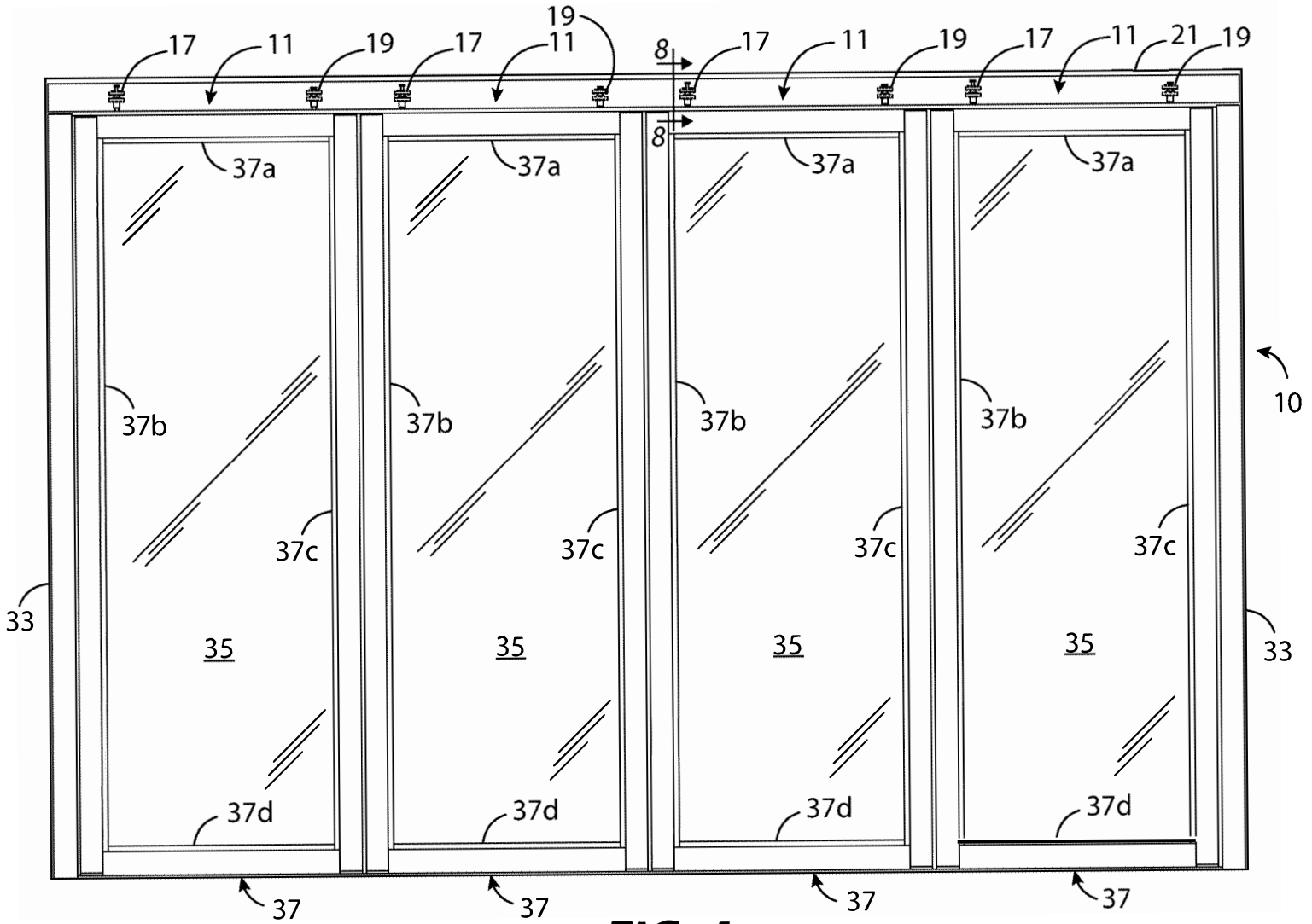


FIG. 4

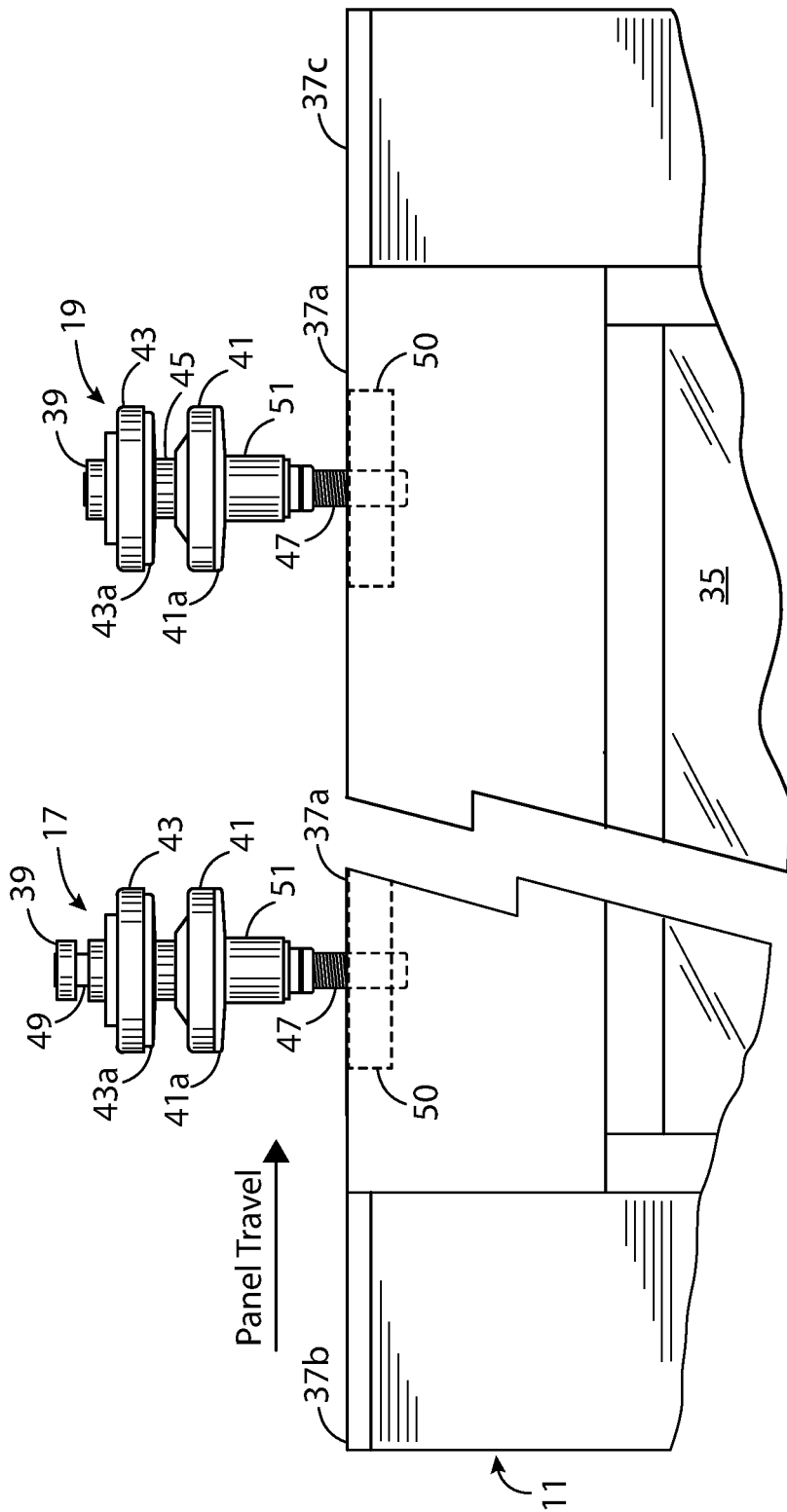


FIG. 5

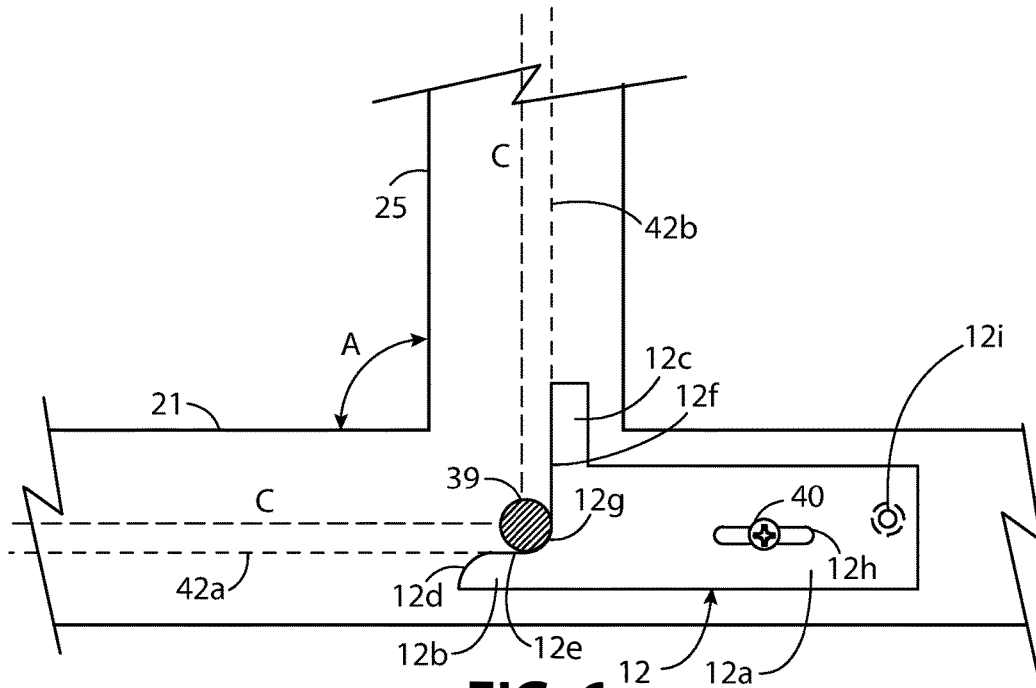


FIG. 6

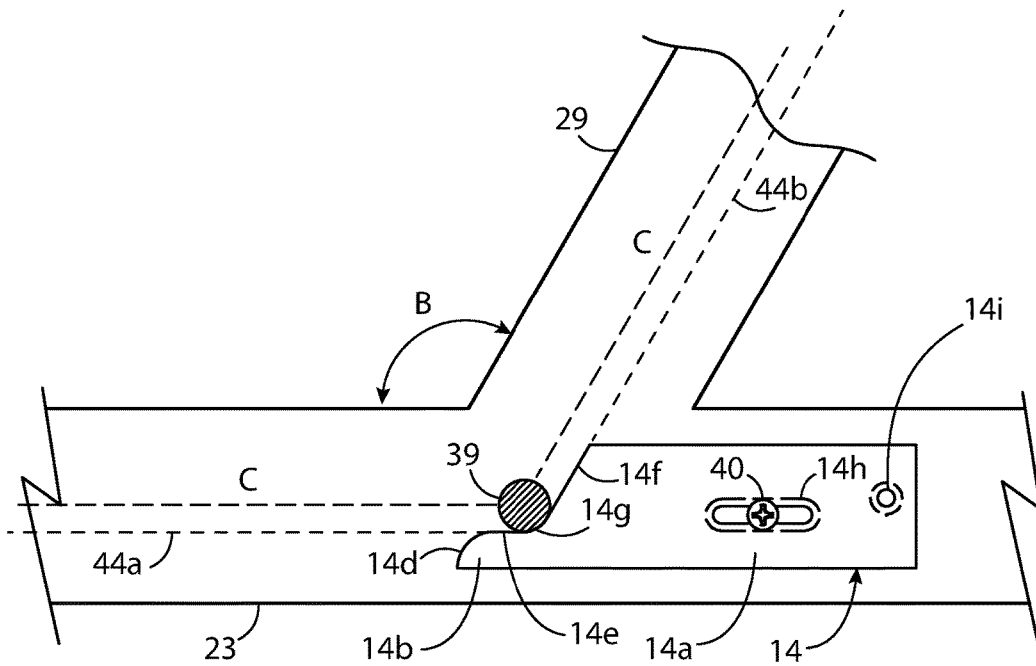


FIG. 7

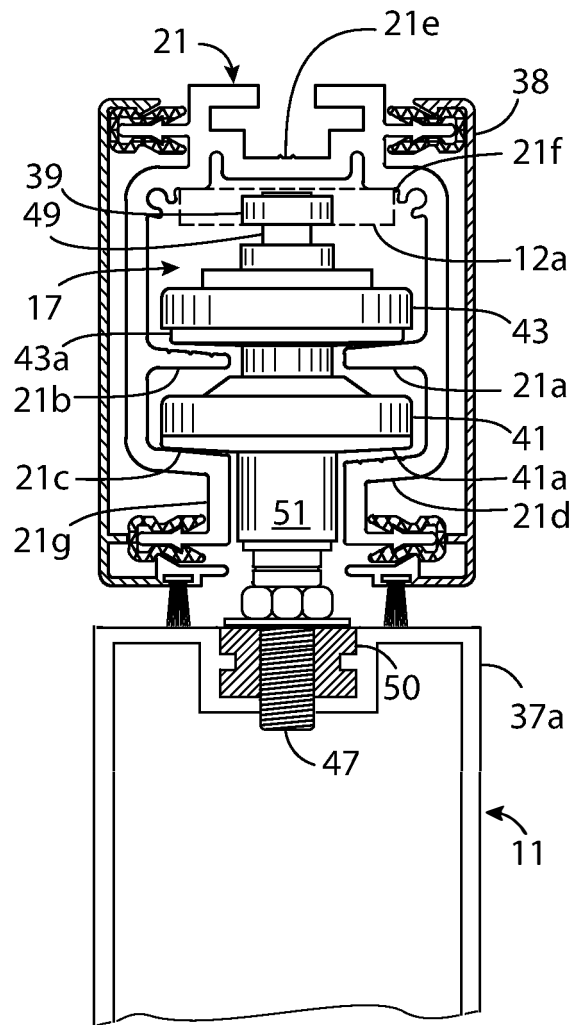


FIG. 8

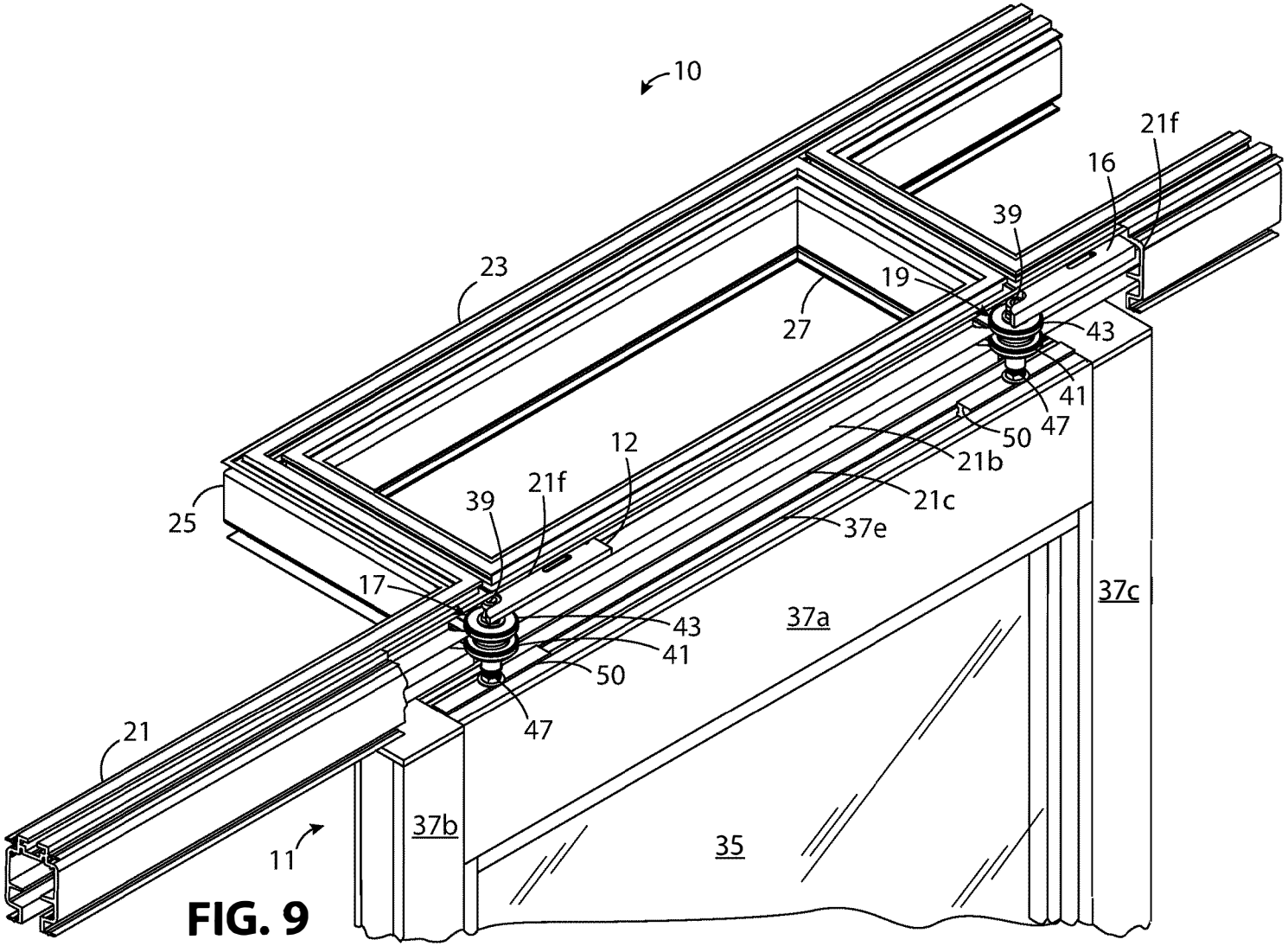


FIG. 9

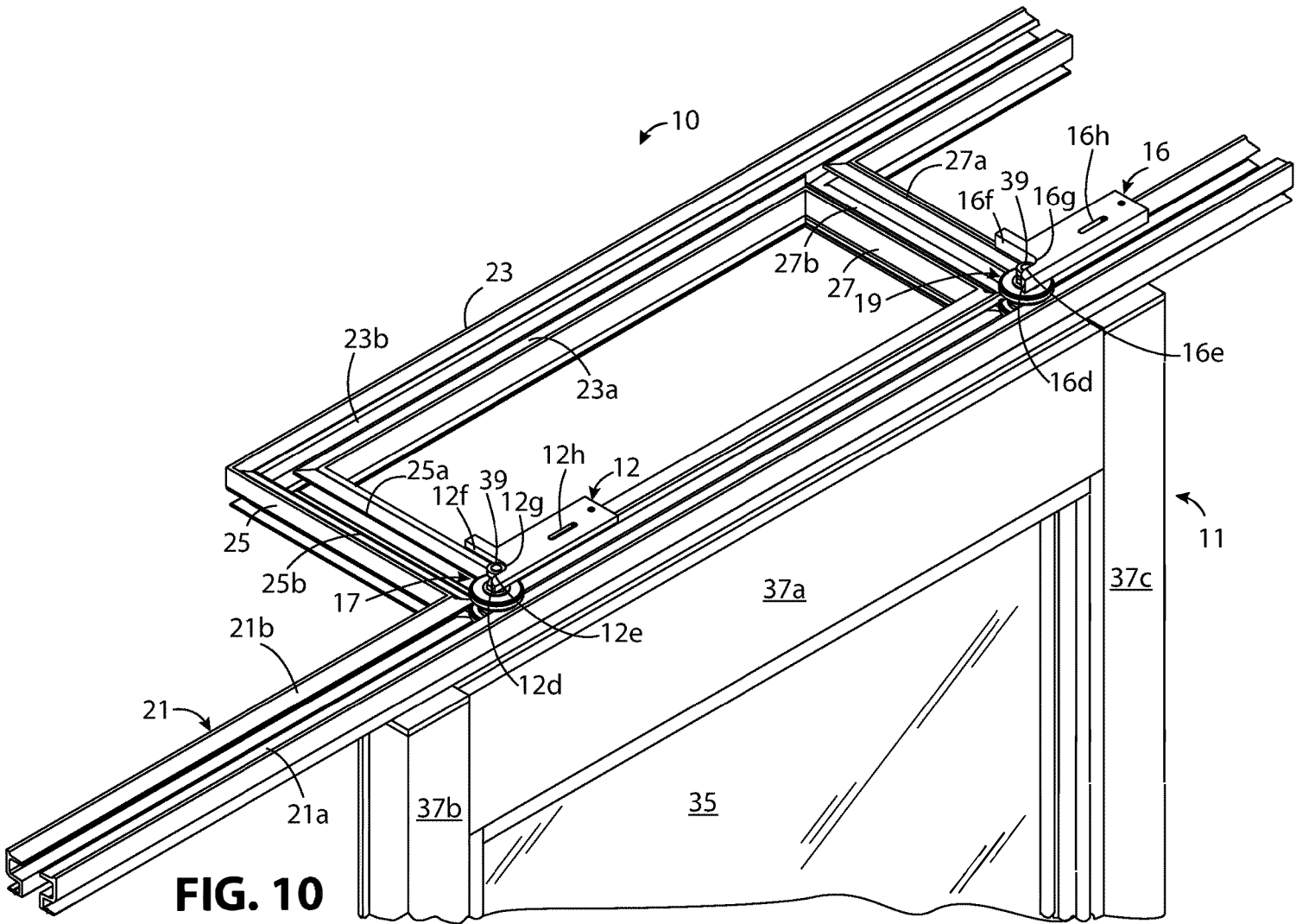


FIG. 10

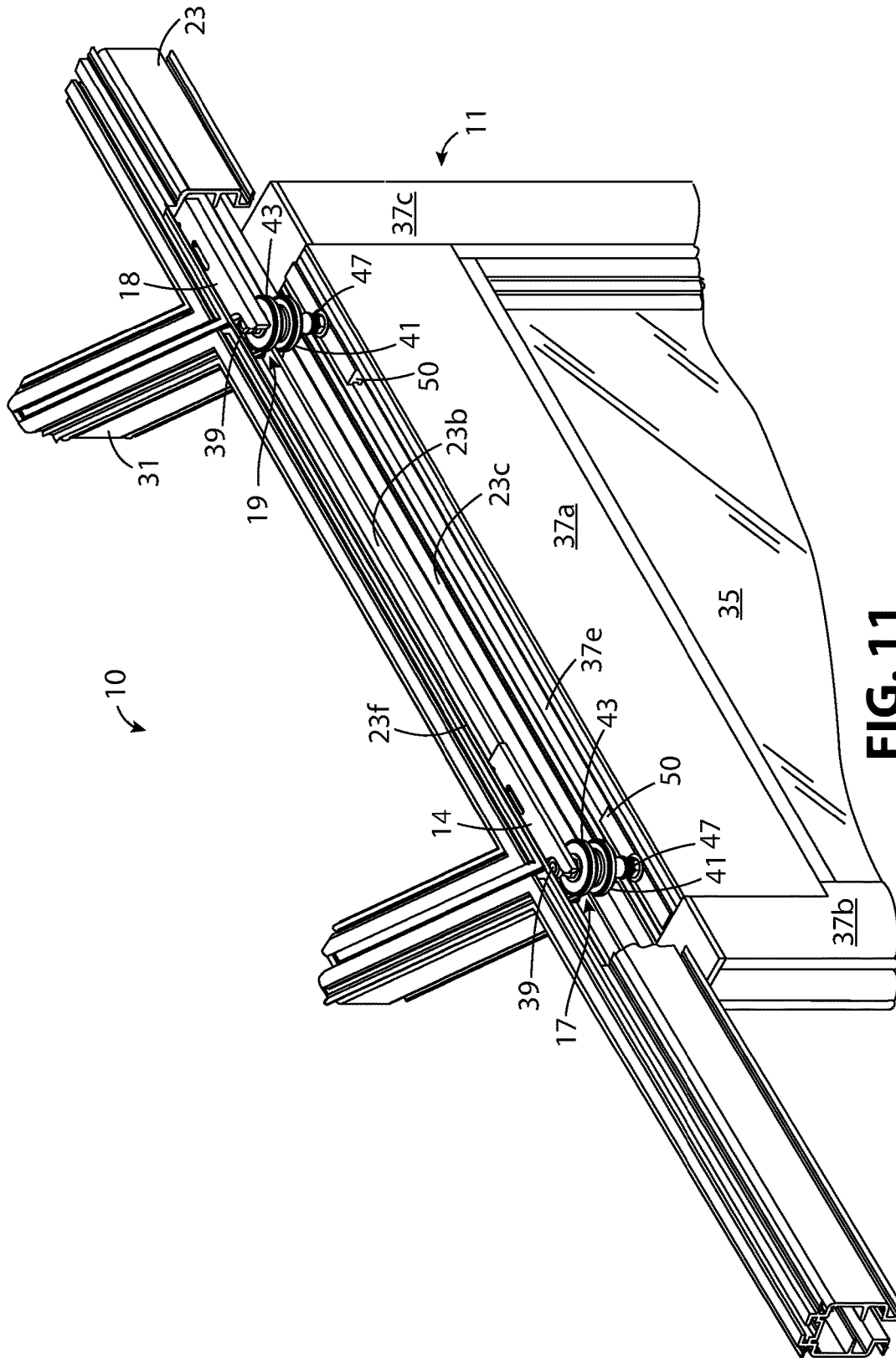


FIG. 11

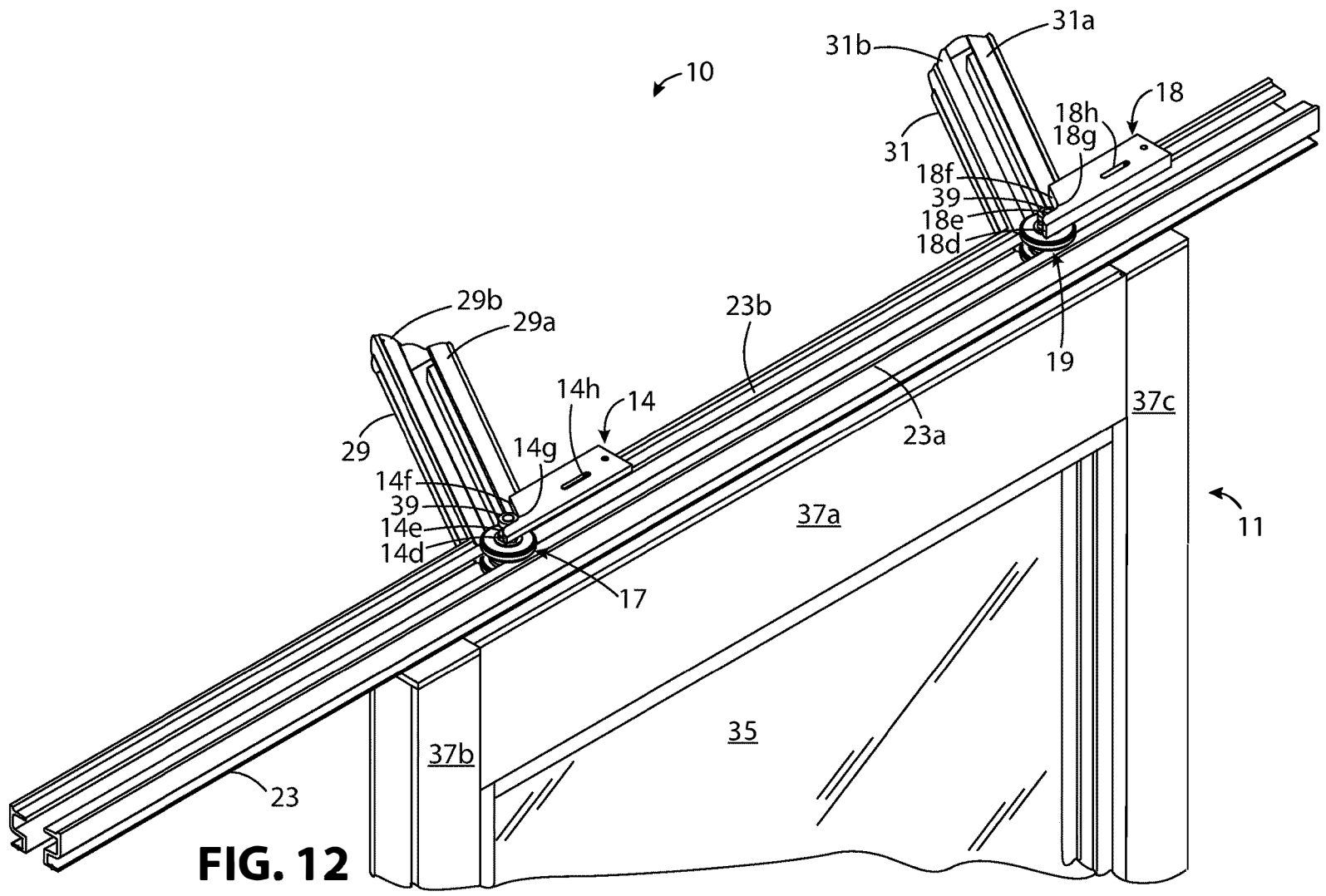


FIG. 12

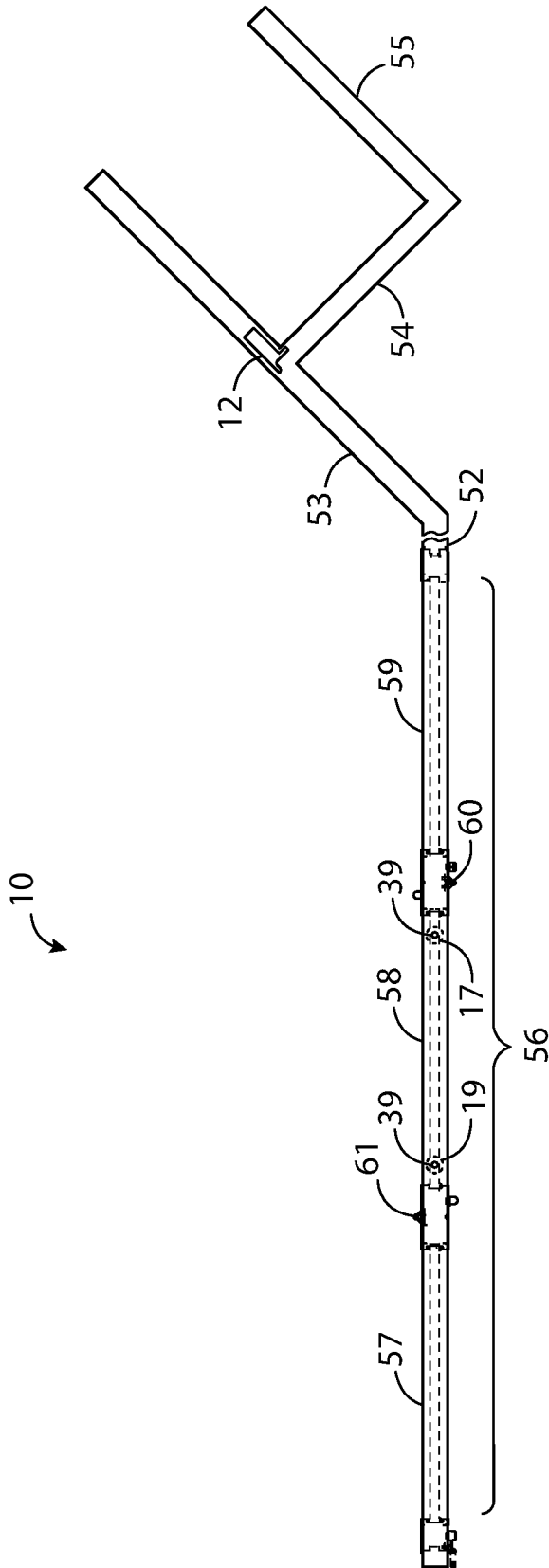


FIG. 13

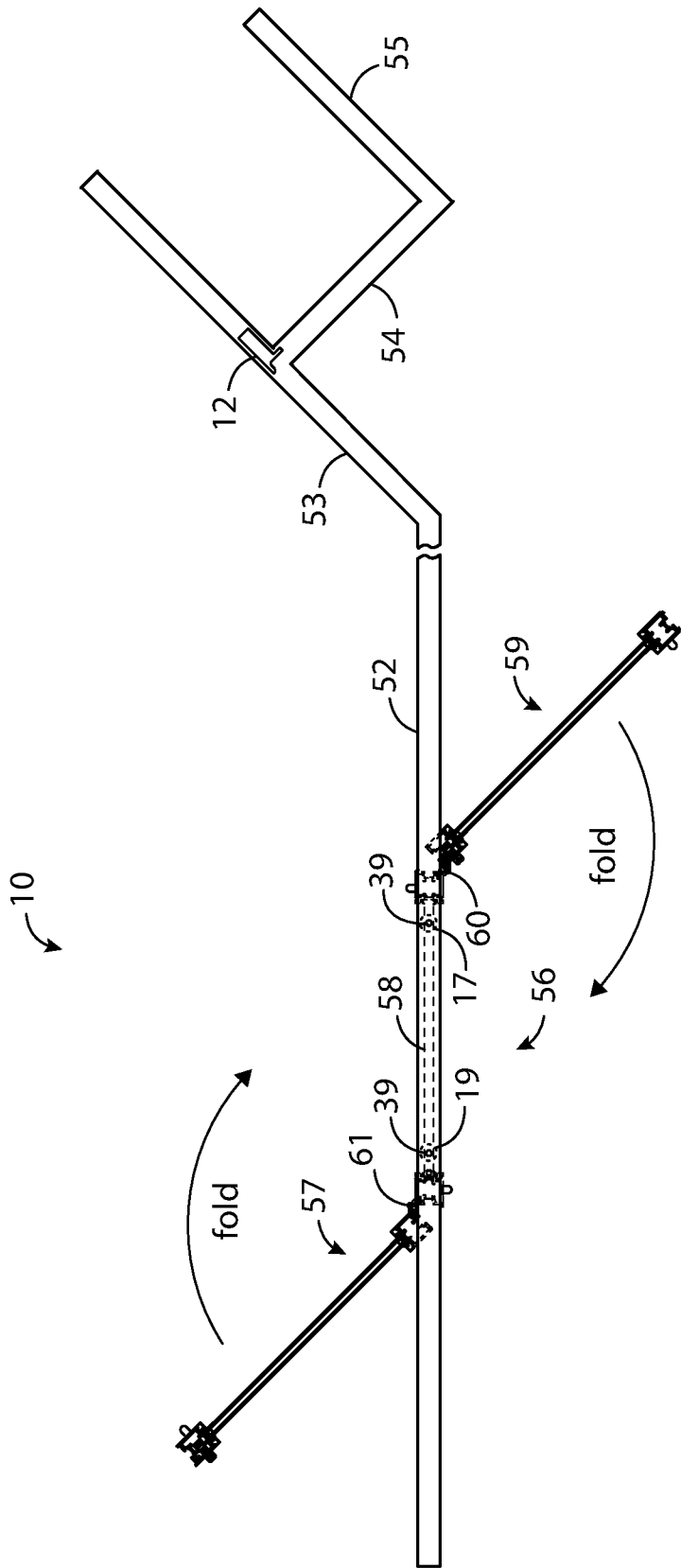


FIG. 14

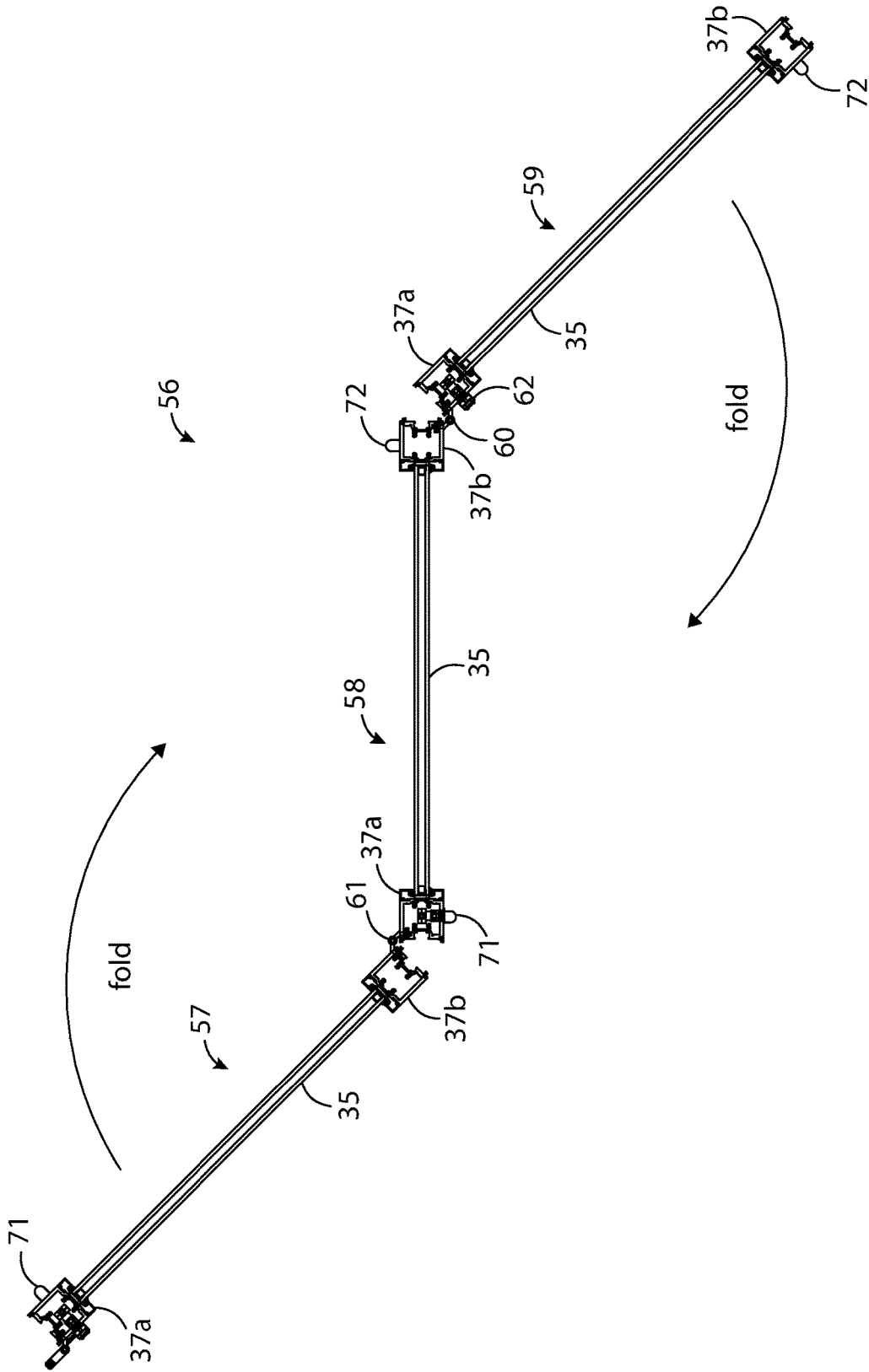


FIG. 15

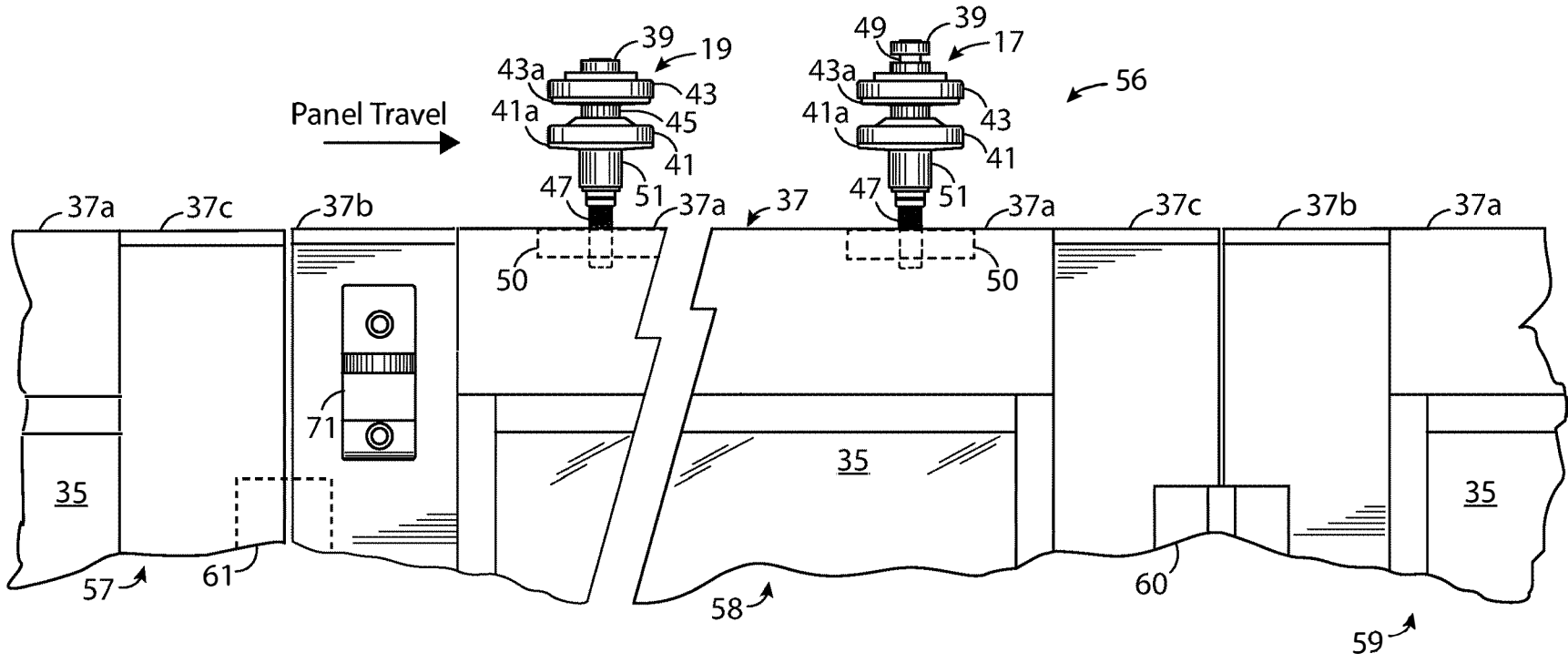


FIG. 16

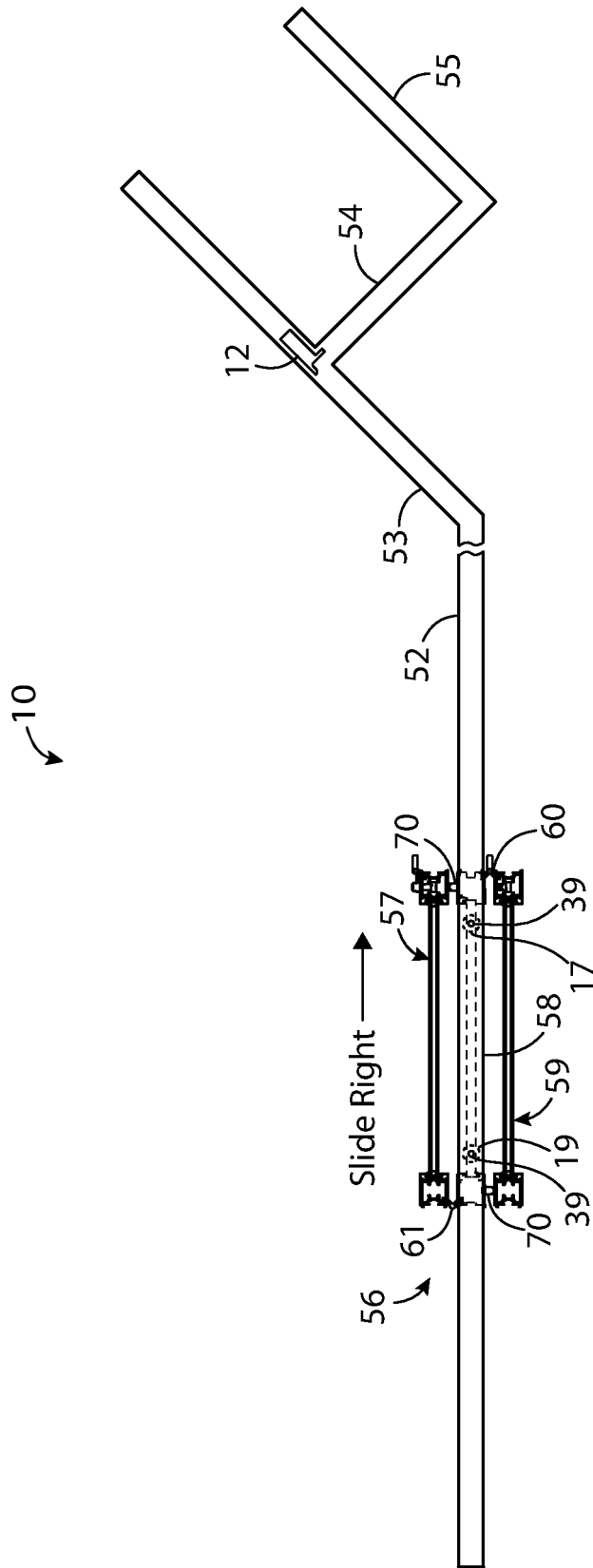


FIG. 17

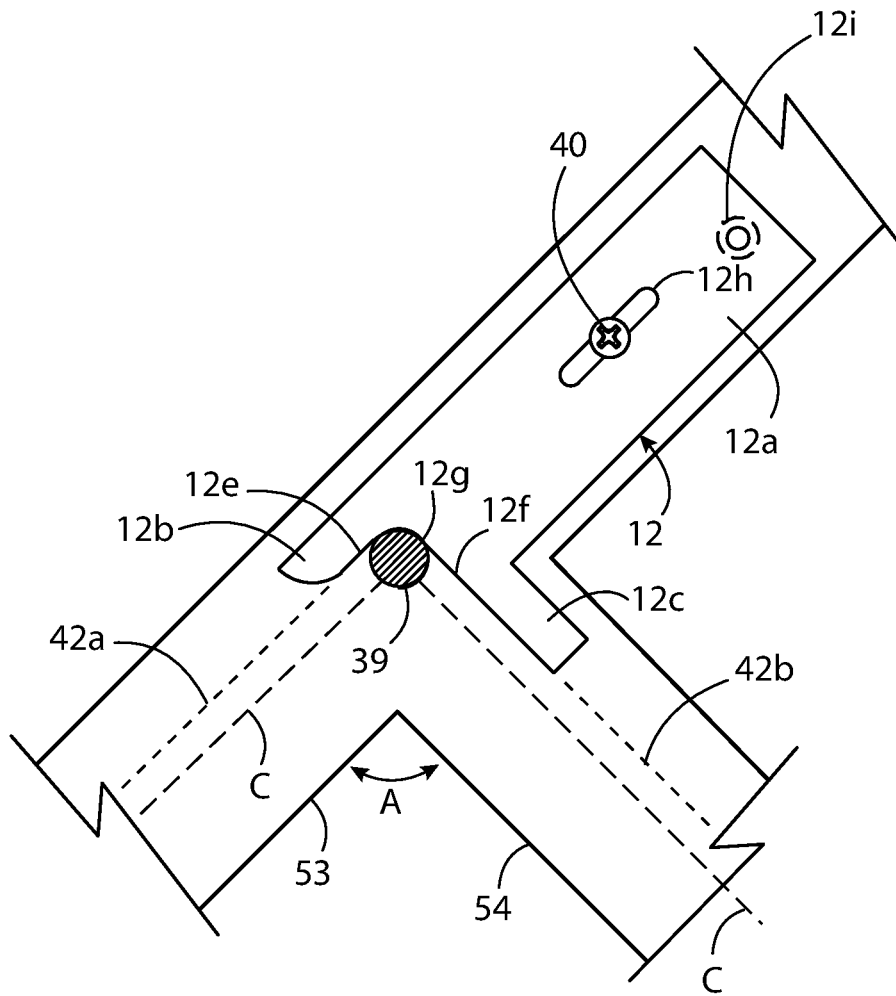


FIG. 18

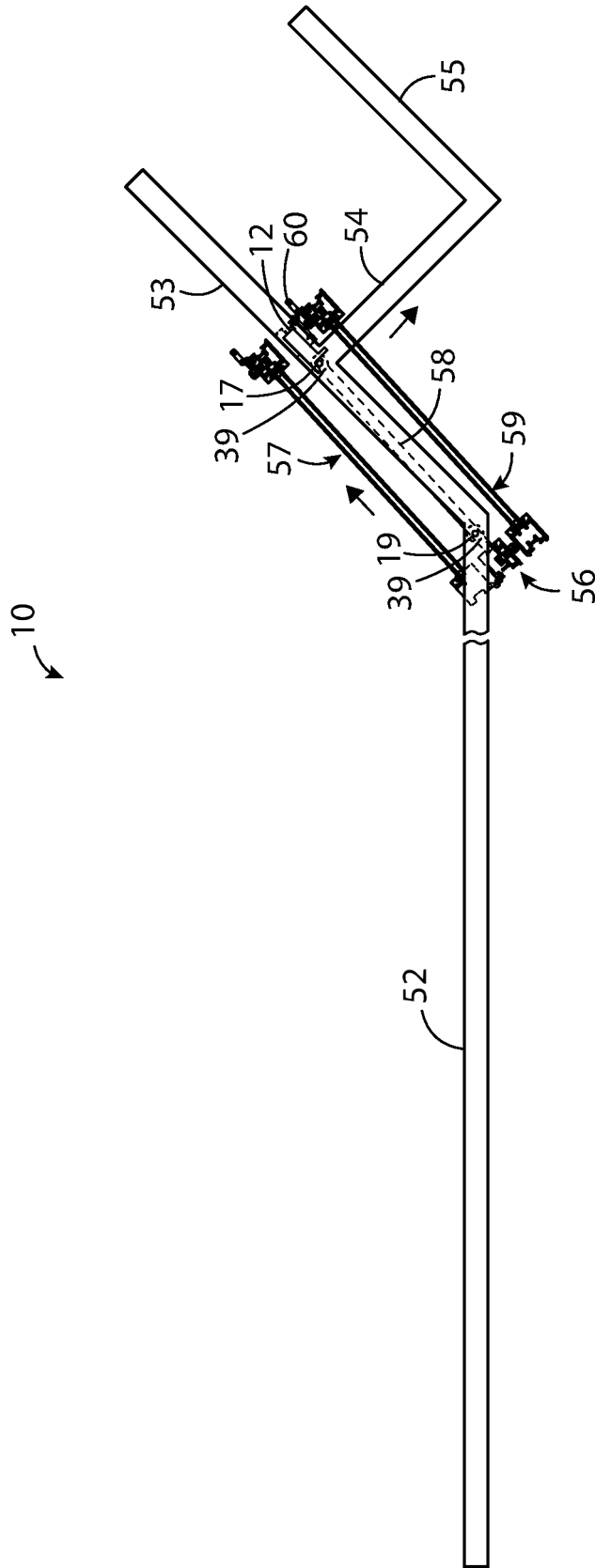


FIG. 19

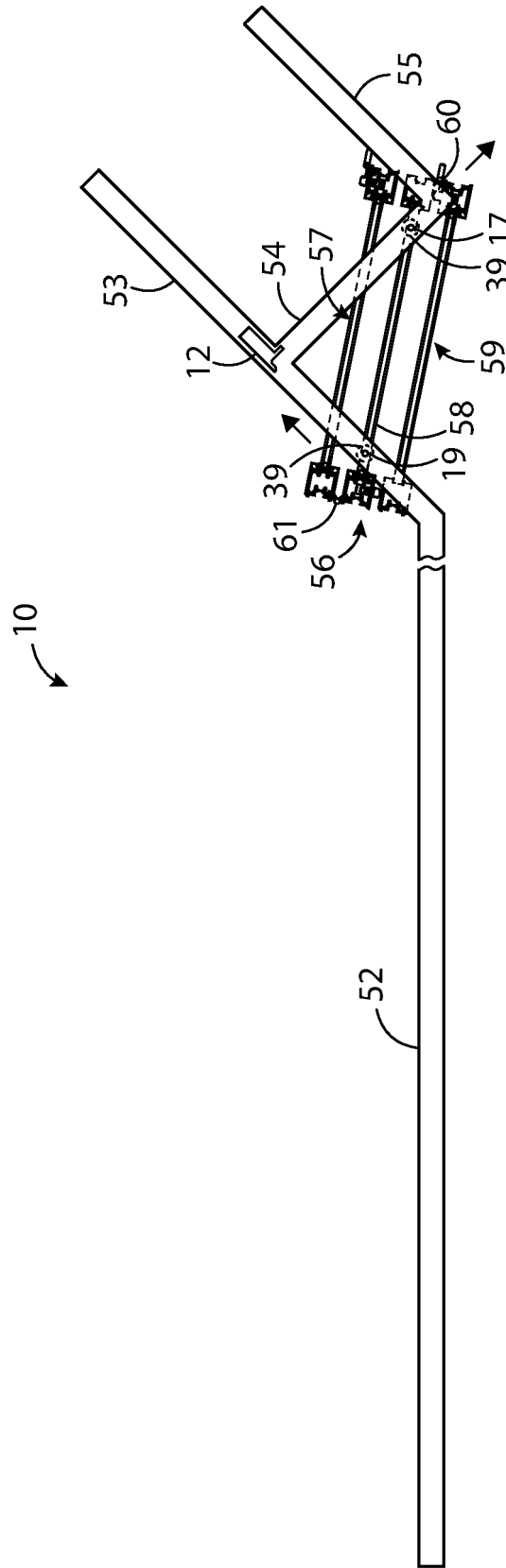


FIG. 20

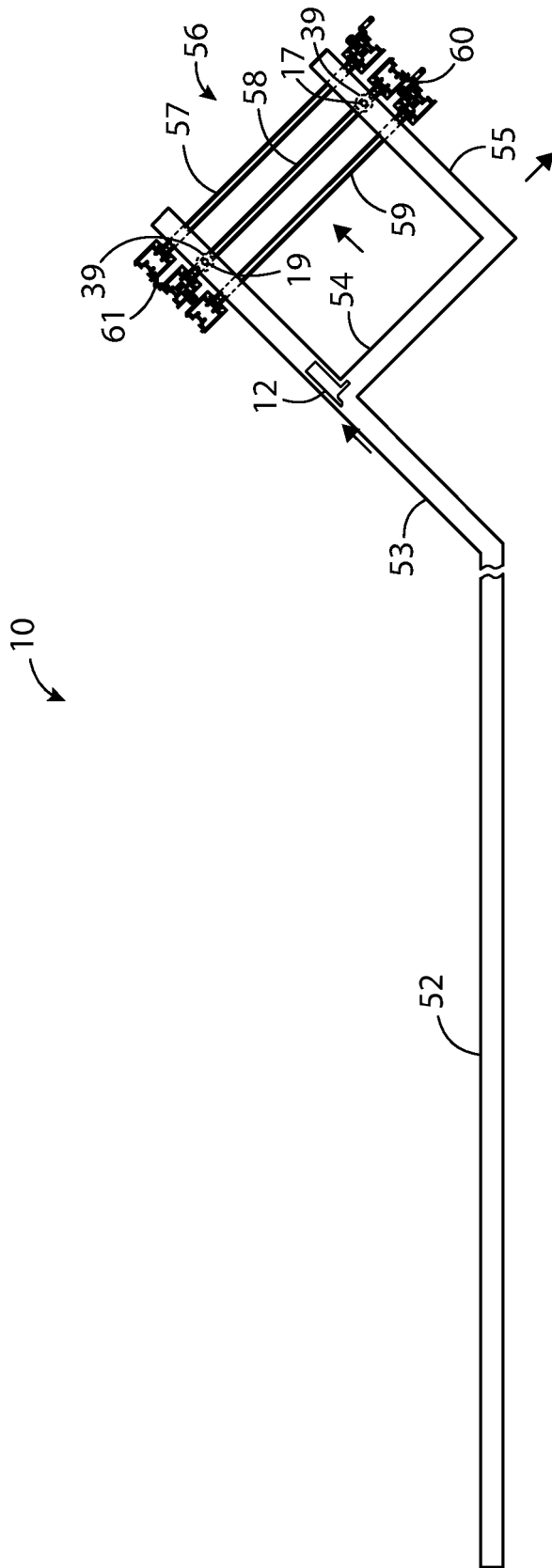


FIG. 21

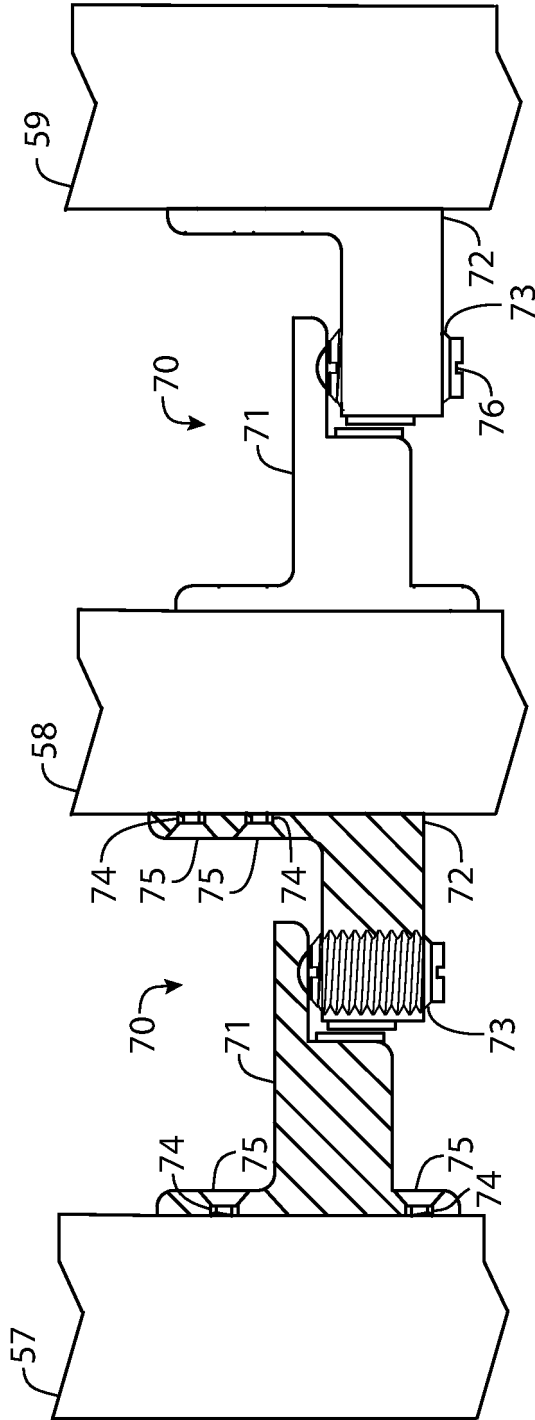


FIG. 22

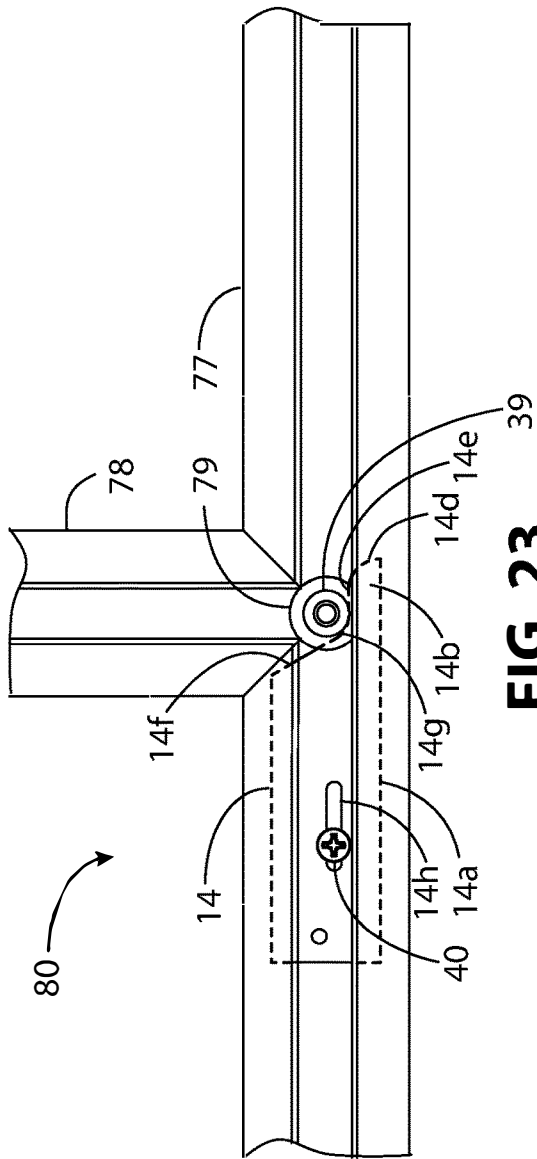


FIG. 23

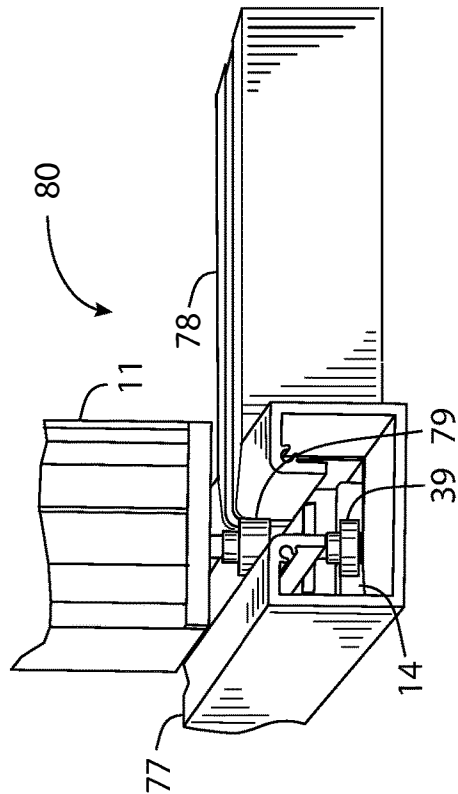


FIG. 24