



US008997412B1

(12) **United States Patent Header**

(10) **Patent No.:** US 8,997,412 B1
(45) **Date of Patent:** Apr. 7, 2015

(54) **COMBINATION MARINE AND STOP FRAME GLAZED PANEL**

(71) Applicant: **Gregory Header**, Richland, PA (US)

(72) Inventor: **Gregory Header**, Richland, PA (US)

(*) Notice: Subject to any disclaimer, the term of this patent is extended or adjusted under 35 U.S.C. 154(b) by 0 days.

4,555,868	A	12/1985	Mancuso	
4,621,478	A *	11/1986	Phillips et al.	52/775
4,747,248	A *	5/1988	Fahs	52/455
5,012,616	A	5/1991	Martin	
5,042,212	A *	8/1991	Golen	52/204.591
5,761,860	A *	6/1998	Koike et al.	52/204.67
5,806,256	A	9/1998	Byrne	
5,860,264	A *	1/1999	Gephart et al.	52/656.4
6,829,868	B1 *	12/2004	Frey	52/204.62
7,138,166	B2	11/2006	Rinehart	
2004/0234731	A1	11/2004	Rinehart	

OTHER PUBLICATIONS

SL 35 Detail Sections Folding Glass Door, Jun. 2010, Solarlux Aluminum Systeme GmbH, Germany.
SL 60e Detail Sections Folding Glass Door, Jan. 2013, Solarlux Aluminum Systeme GmbH, Germany.
GANA Glazing Manual 50th Edition, pp. 135-136, p. 168 (bottom), 2009, Glass Association of North America.

* cited by examiner

Primary Examiner — Brent W Herring
(74) *Attorney, Agent, or Firm* — Stone Creek Services LLC; Alan M Flum

(21) Appl. No.: **14/219,762**

(22) Filed: **Mar. 19, 2014**

(51) **Int. Cl.**
E06B 3/54 (2006.01)
E04B 2/96 (2006.01)
E06B 1/18 (2006.01)

(52) **U.S. Cl.**
CPC . **E04B 2/967** (2013.01); **E04B 2/96** (2013.01);
E06B 3/5427 (2013.01); **E06B 3/5454** (2013.01); **E06B 1/18** (2013.01)

(58) **Field of Classification Search**
CPC E04B 2/967; E04B 2/96; E06B 3/5427;
E06B 3/5454; E06B 3/54; E06B 1/12; E06B 1/14; E06B 1/18
USPC 52/204.71, 204.62, 204.67, 204.7, 52/204.705; 49/501, 504
See application file for complete search history.

(56) **References Cited**

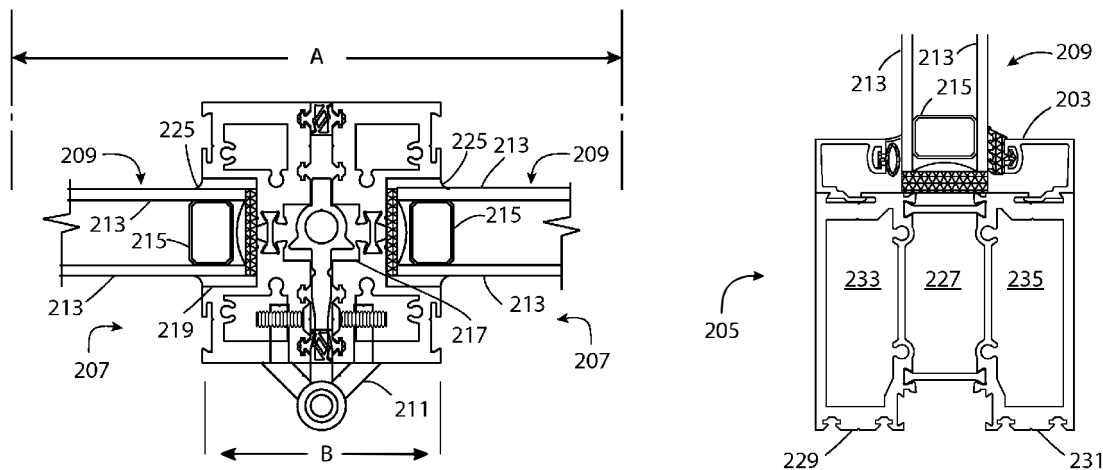
U.S. PATENT DOCUMENTS

2,918,708	A *	12/1959	Sharp et al.	52/656.3
3,299,596	A *	1/1967	Neal et al.	52/476
3,388,517	A	6/1968	Wohl et al.	

(57) **ABSTRACT**

Disclosed is a framed glazed door or wall panel that can be utilized in applications requiring structural rigidity of the panel frame such as pivot doors, hinged doors, or glass folding doors. The panel includes marine glaze vertical frame members and horizontal stop glaze frame members. The vertical frame members and horizontal frame members can be joined by corner lugs inserted the body of the horizontal frame members and captively held in grooves on the surface of the vertical frame members.

7 Claims, 18 Drawing Sheets



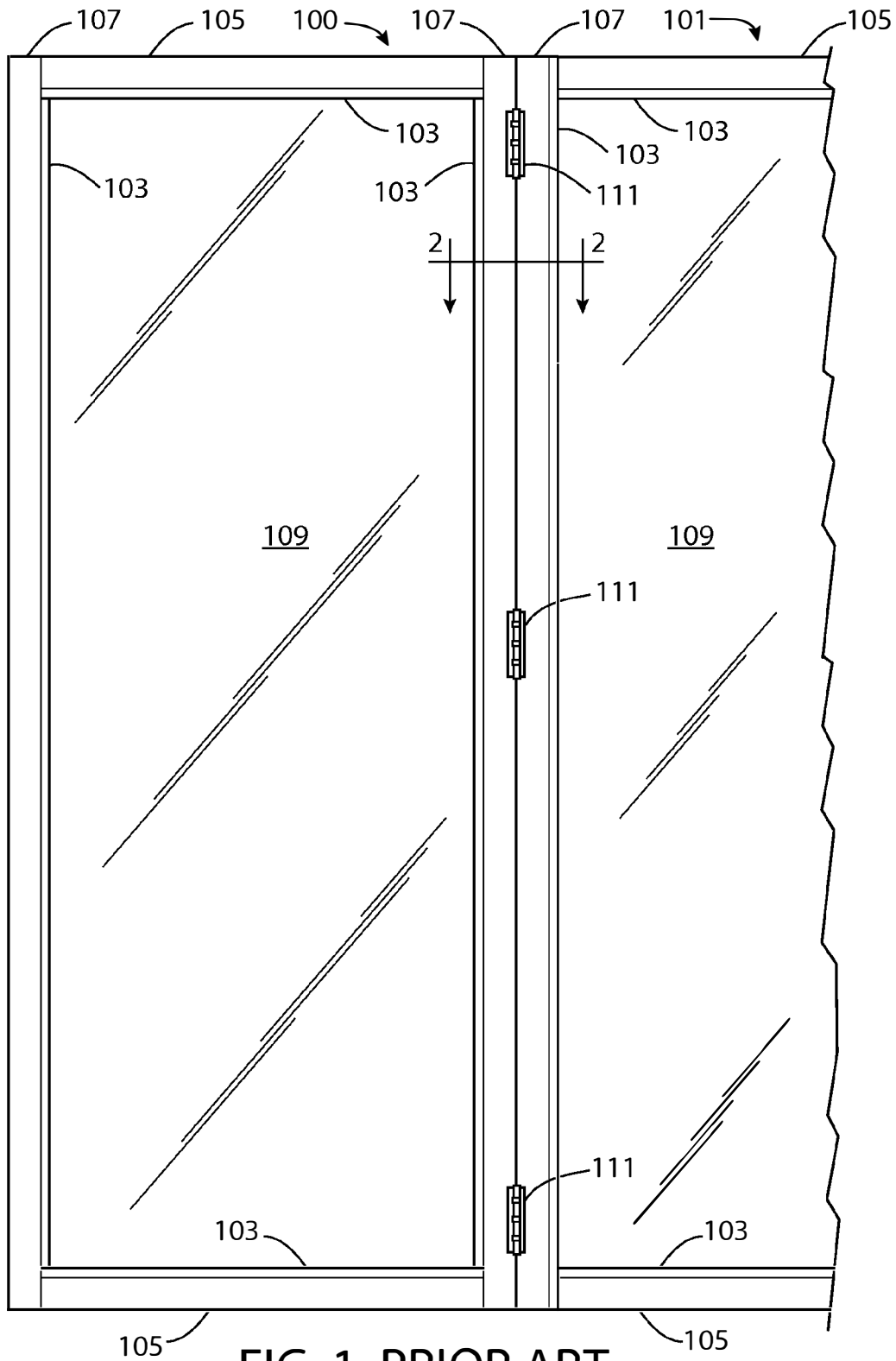


FIG. 1 PRIOR ART

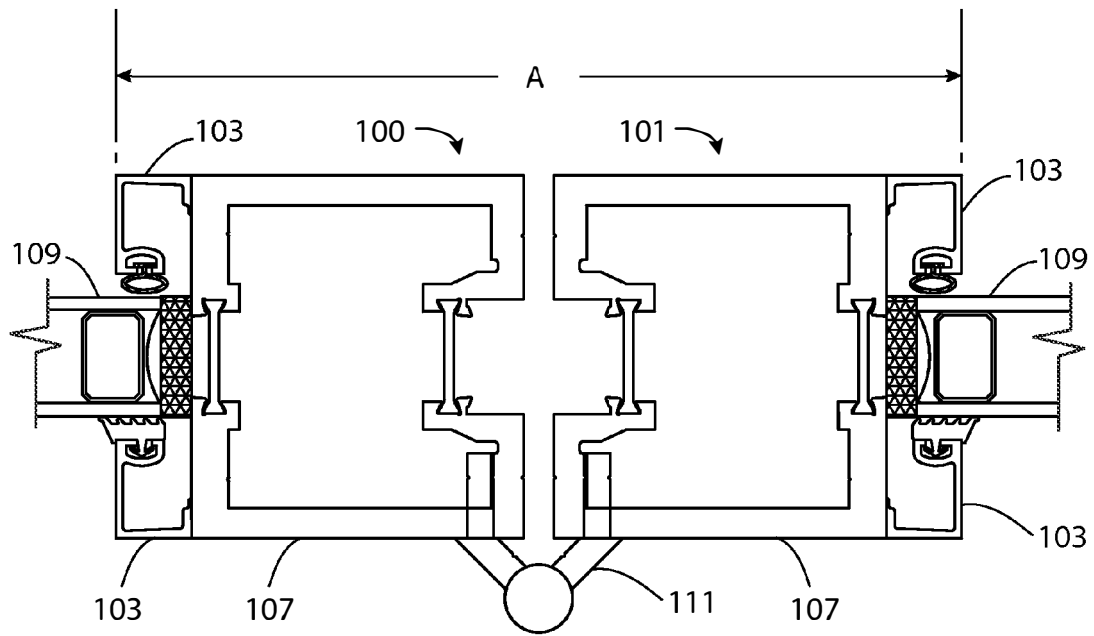


FIG. 2 PRIOR ART

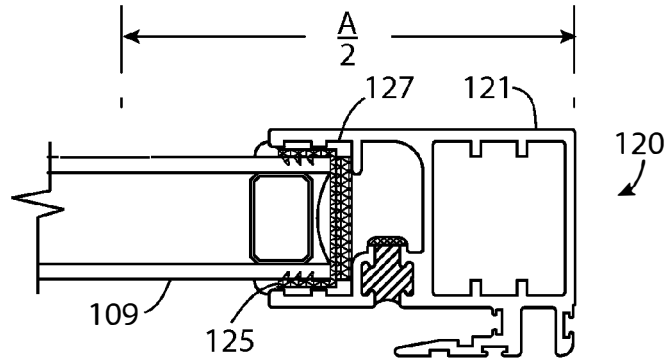


FIG. 3 PRIOR ART

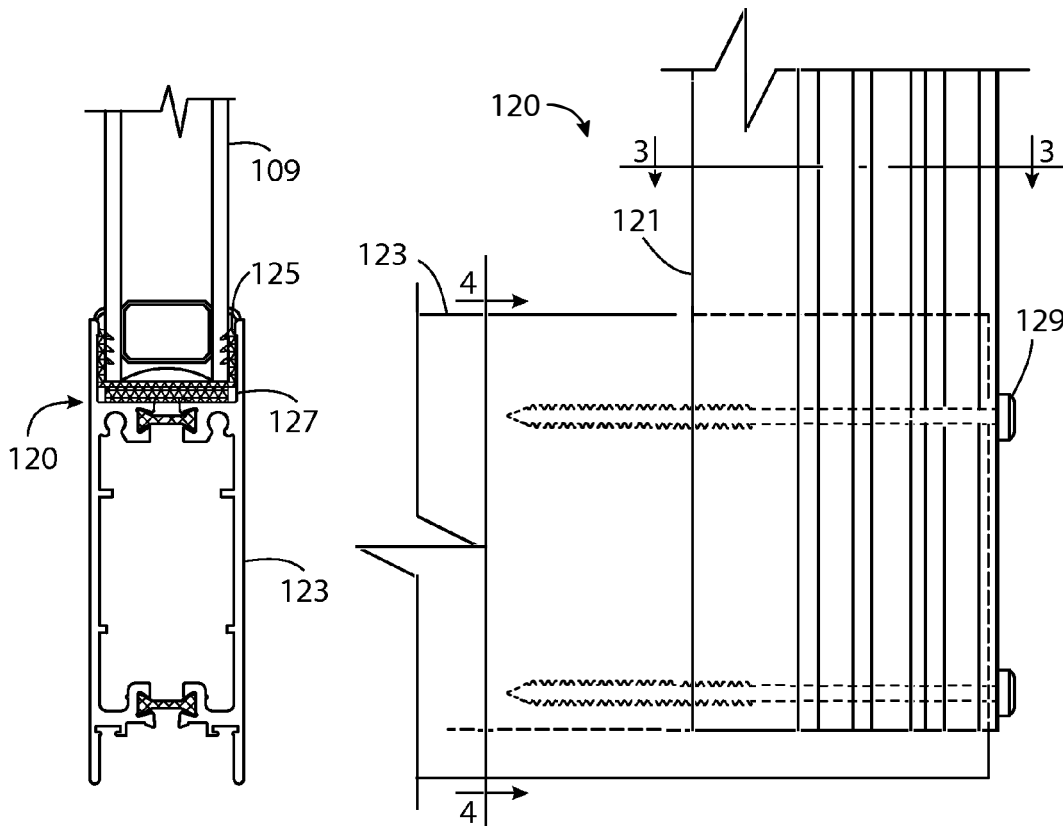


FIG. 4
PRIOR ART

FIG. 5 PRIOR ART

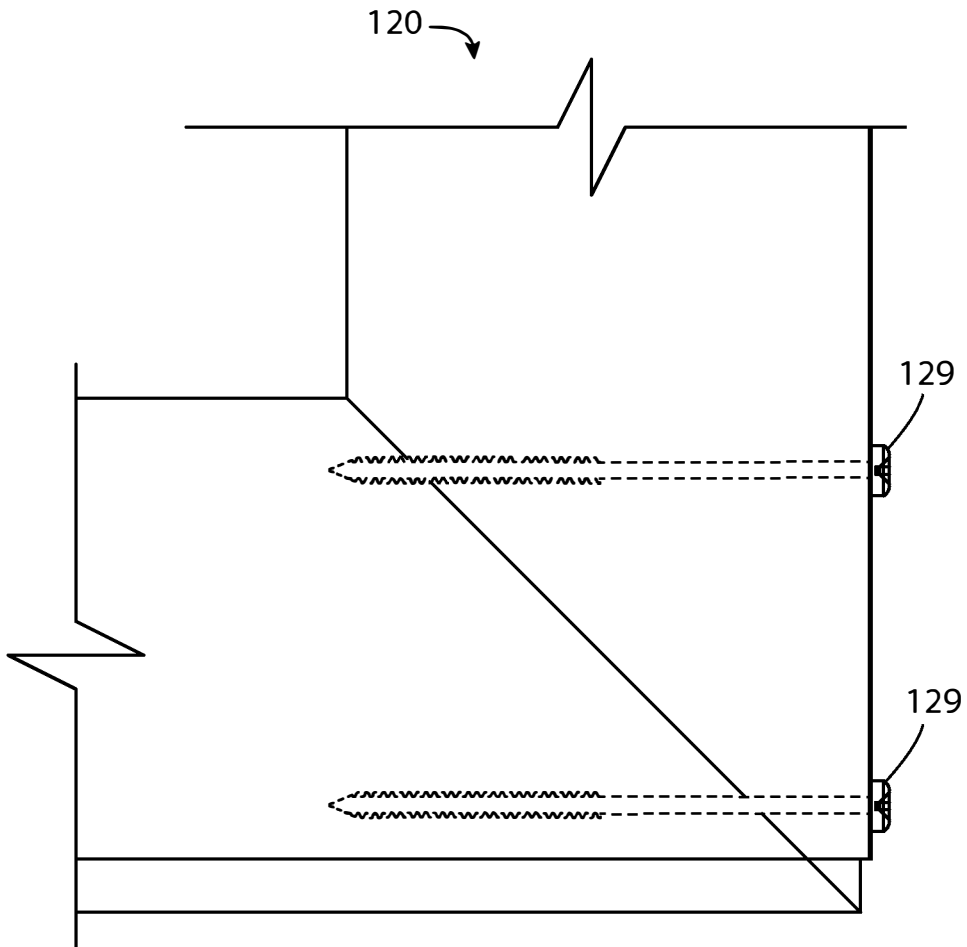


FIG. 6 PRIOR ART

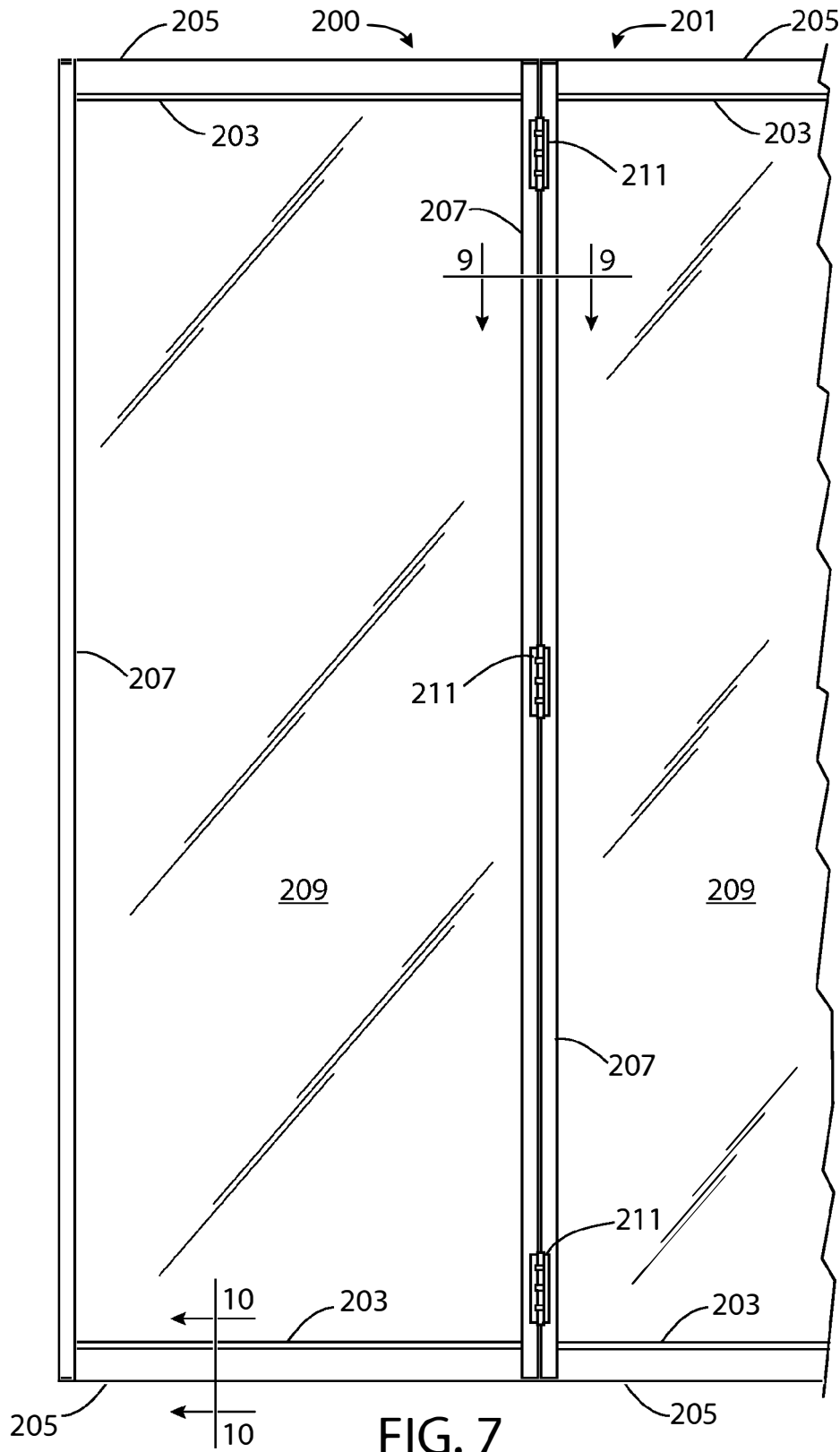


FIG. 7

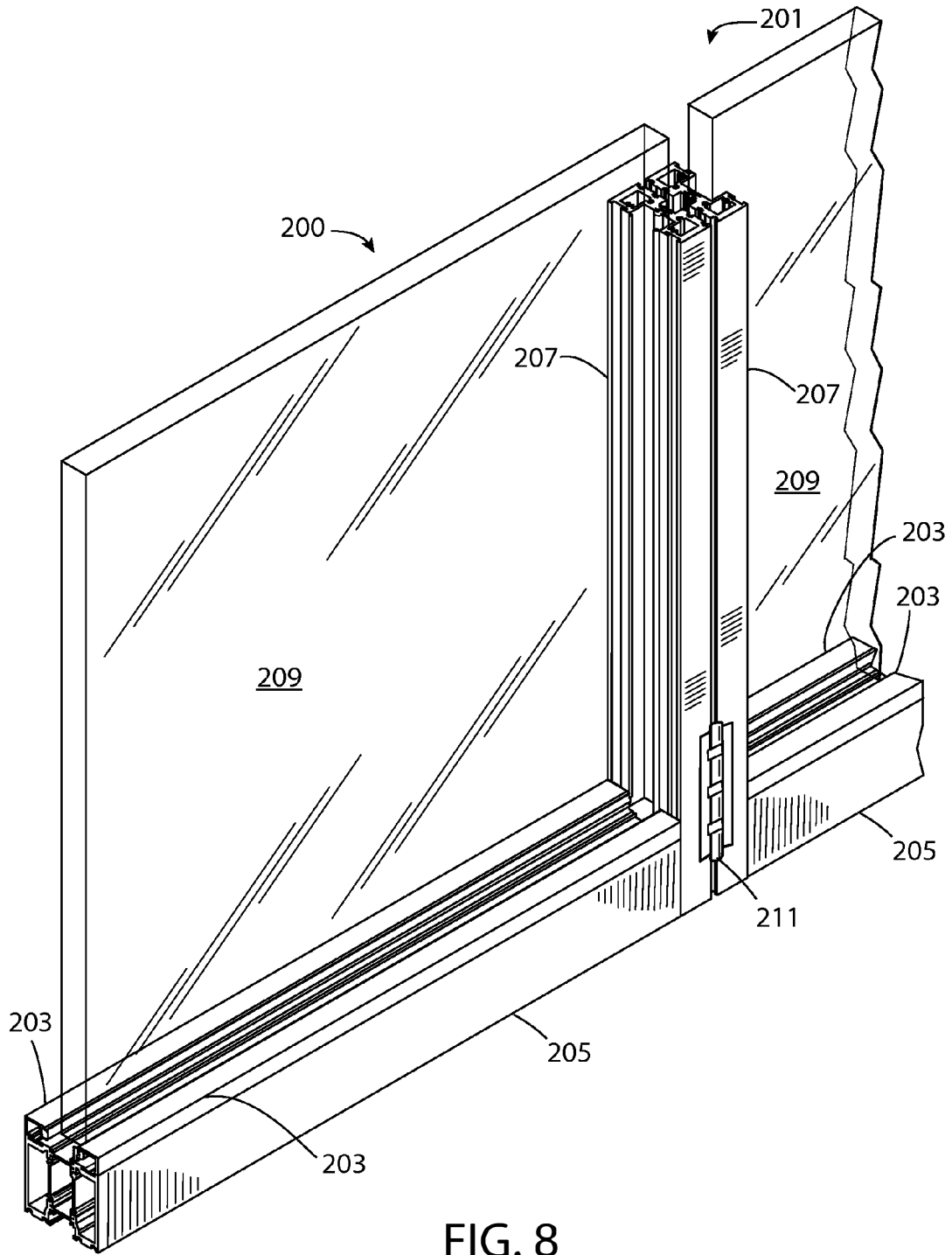


FIG. 8

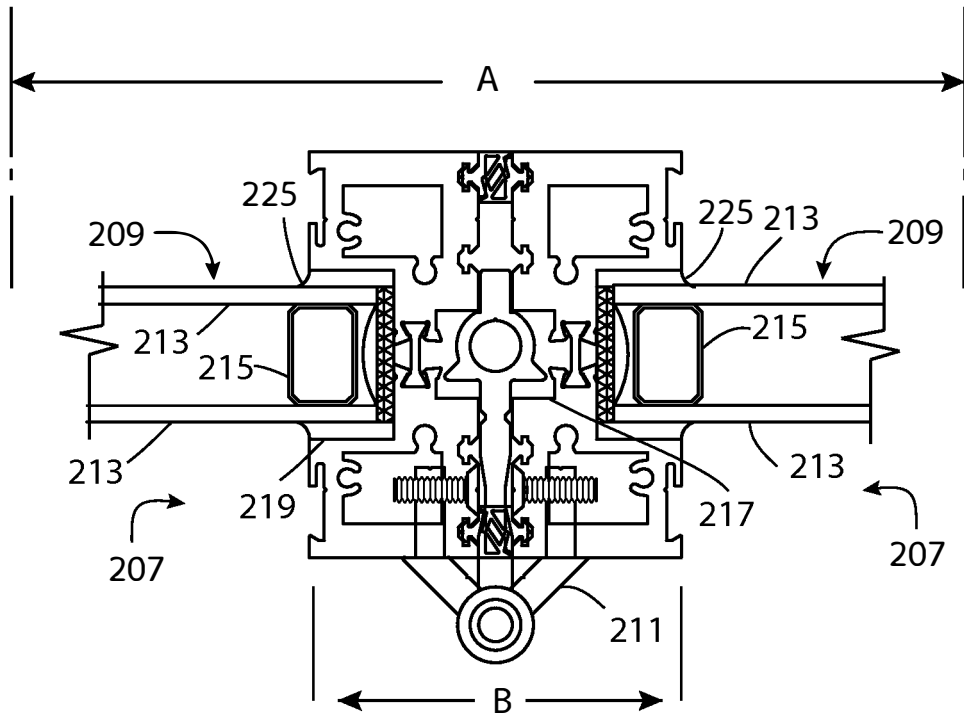


FIG. 9

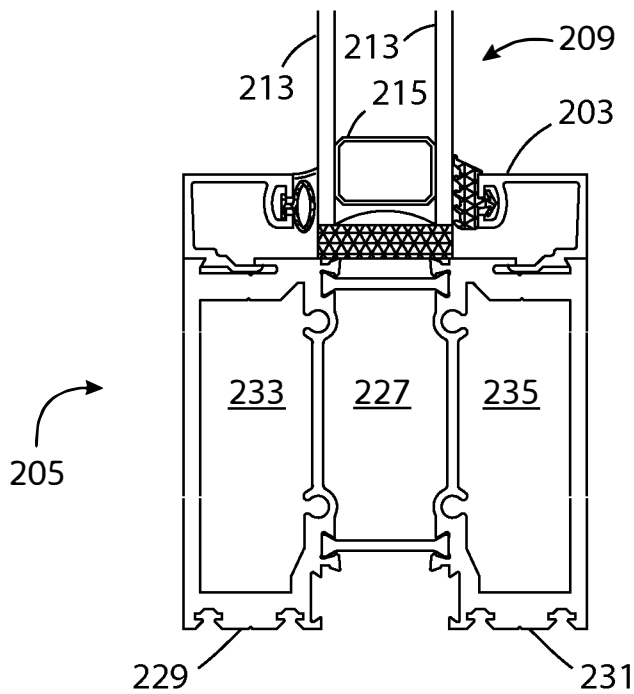


FIG. 10

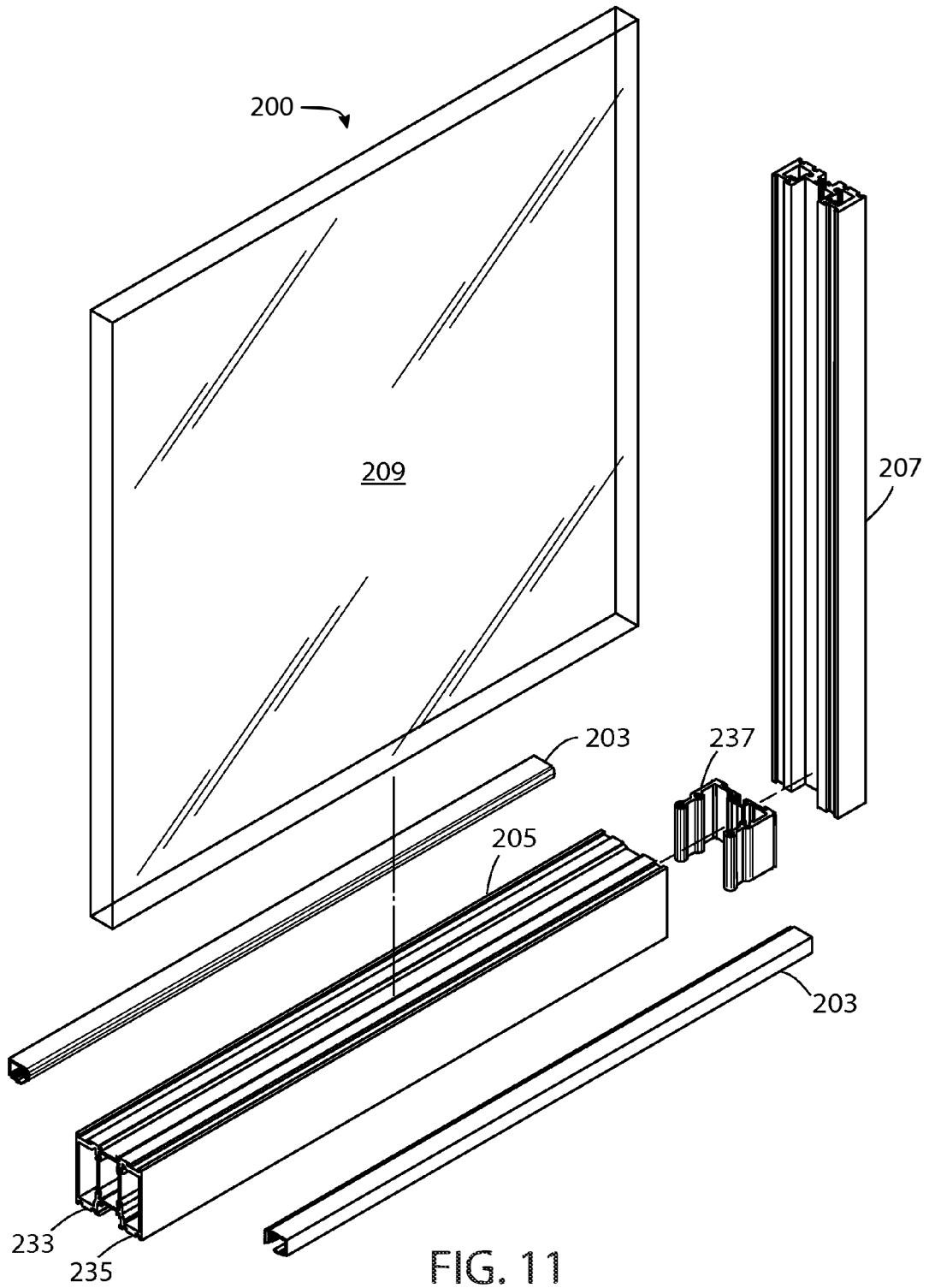


FIG. 11

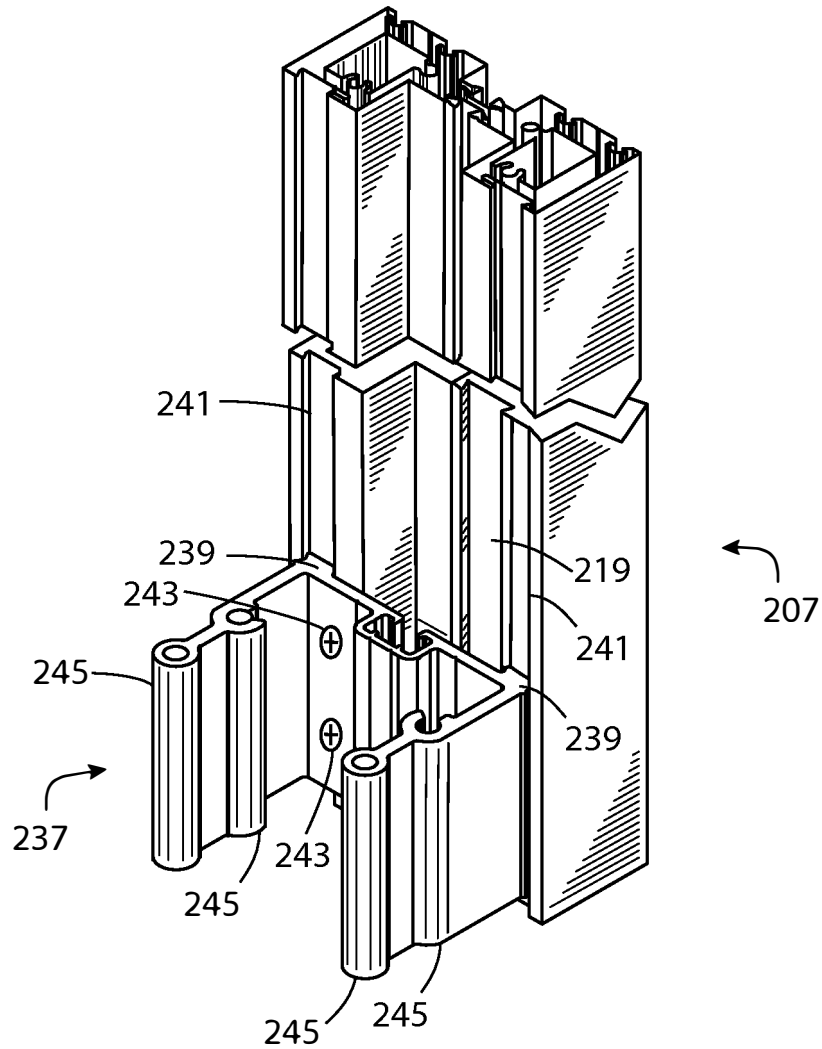


FIG. 12

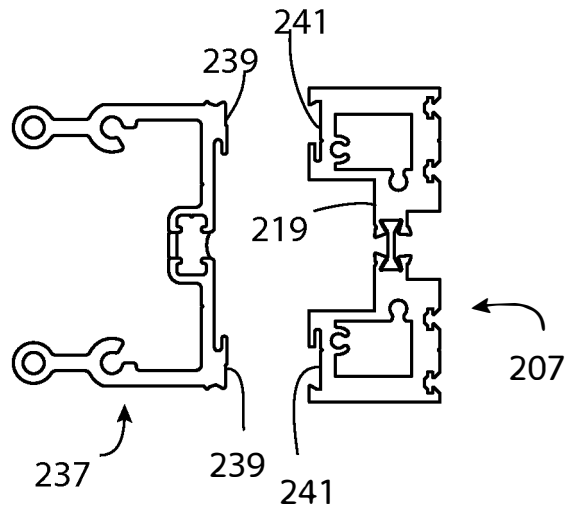


FIG. 13

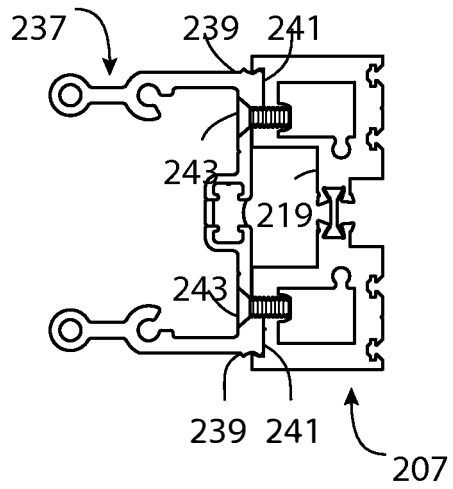


FIG. 14

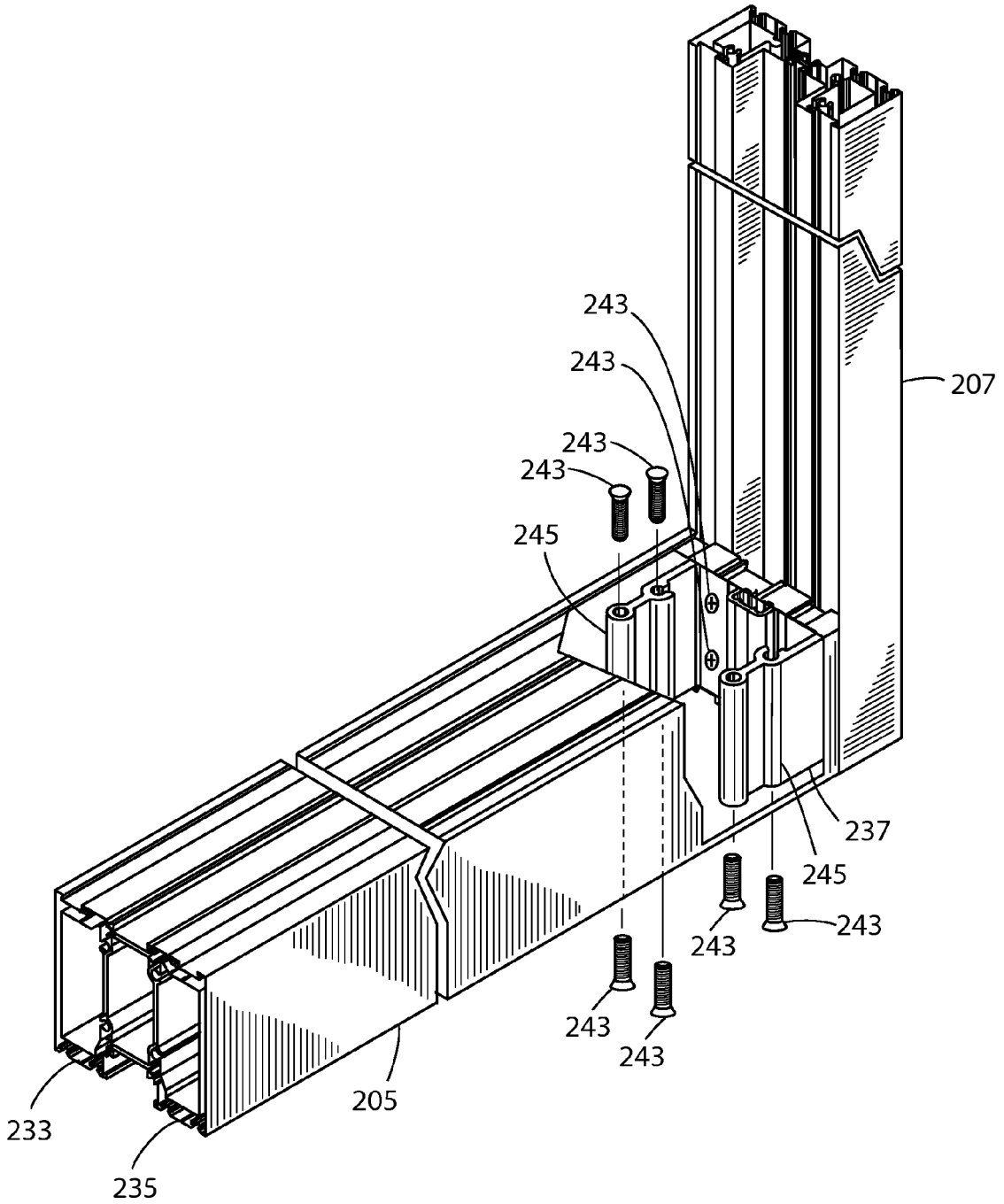


FIG. 15

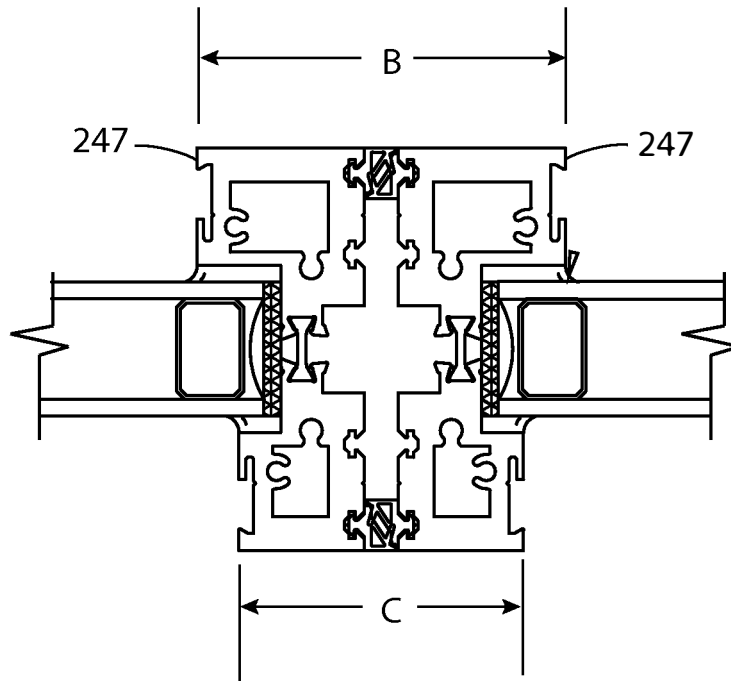


FIG. 16

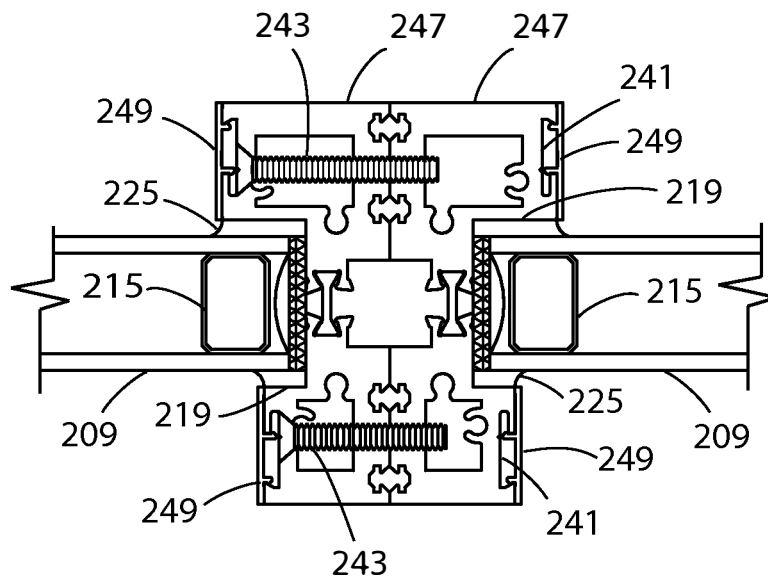


FIG. 17

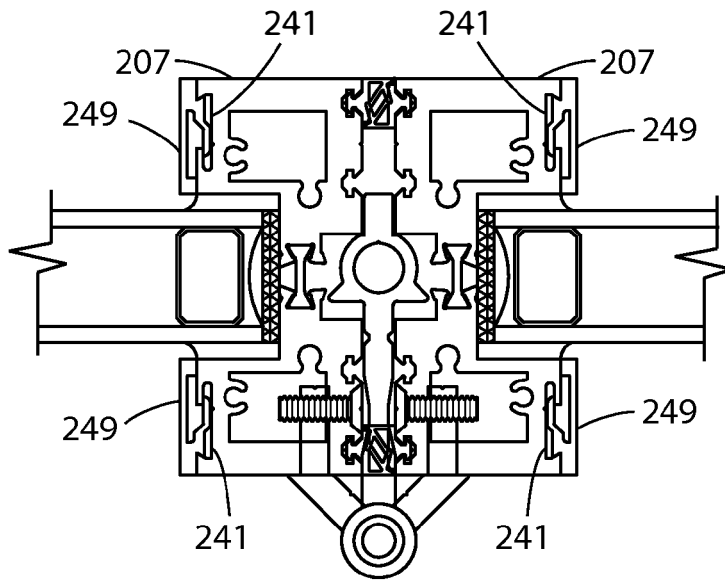


FIG. 18

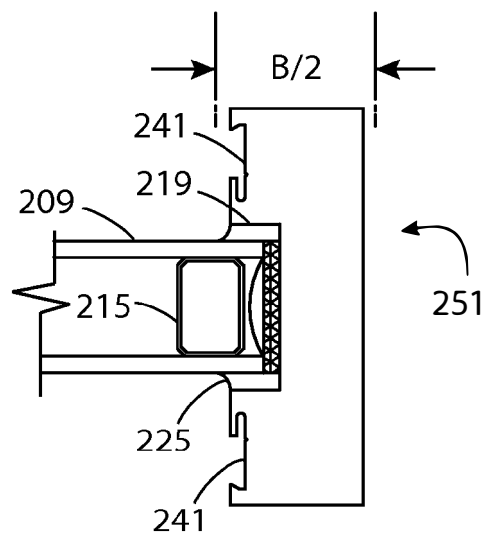


FIG. 19

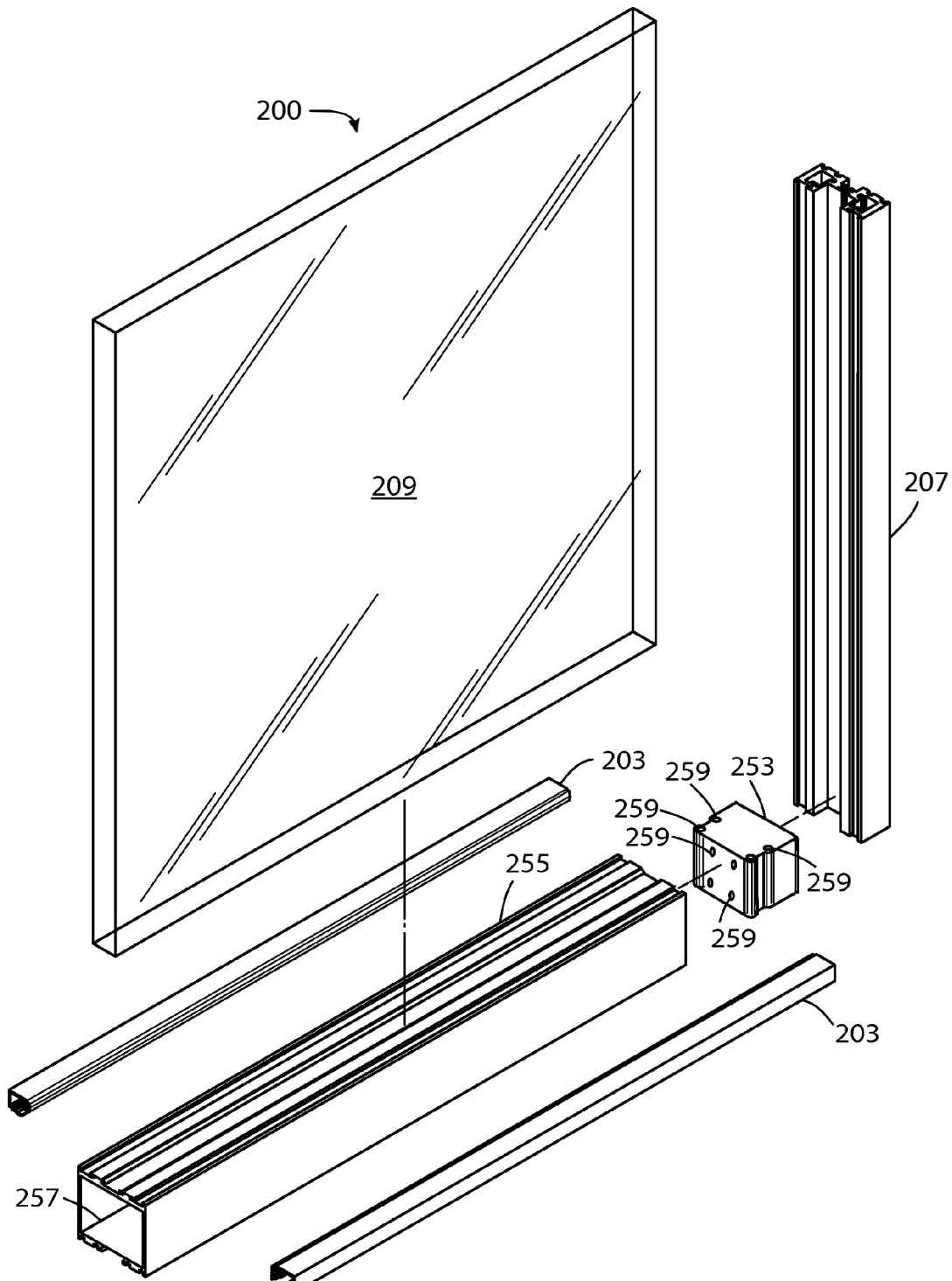


FIG. 20

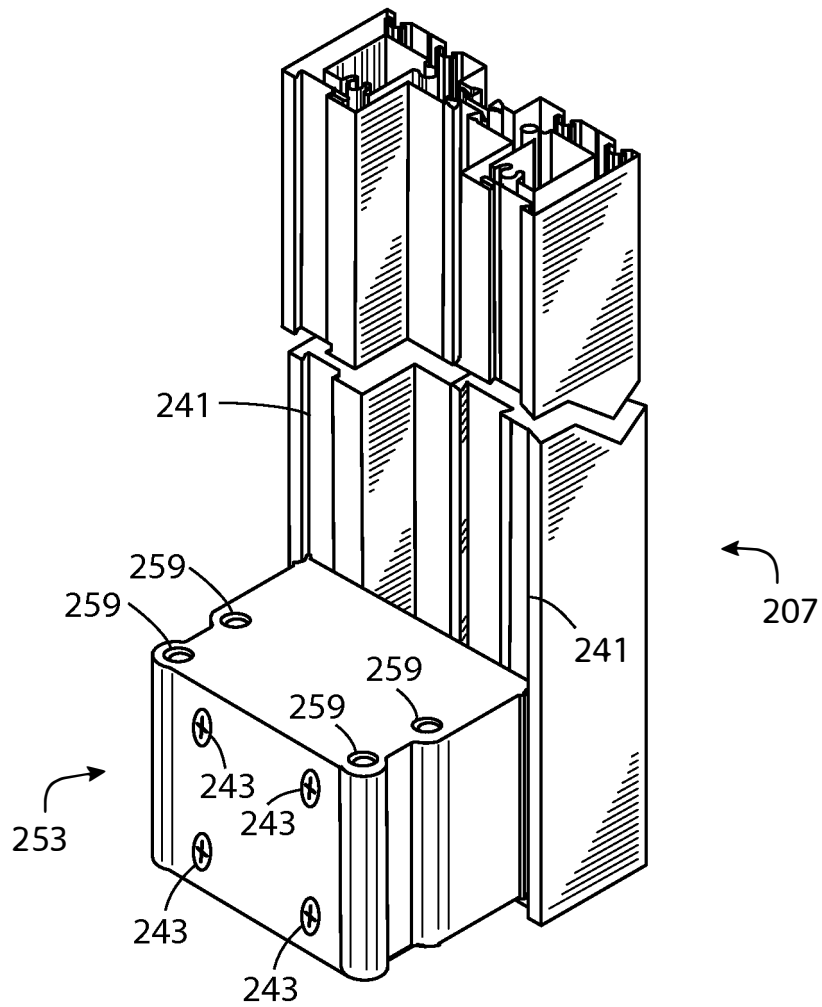


FIG. 21

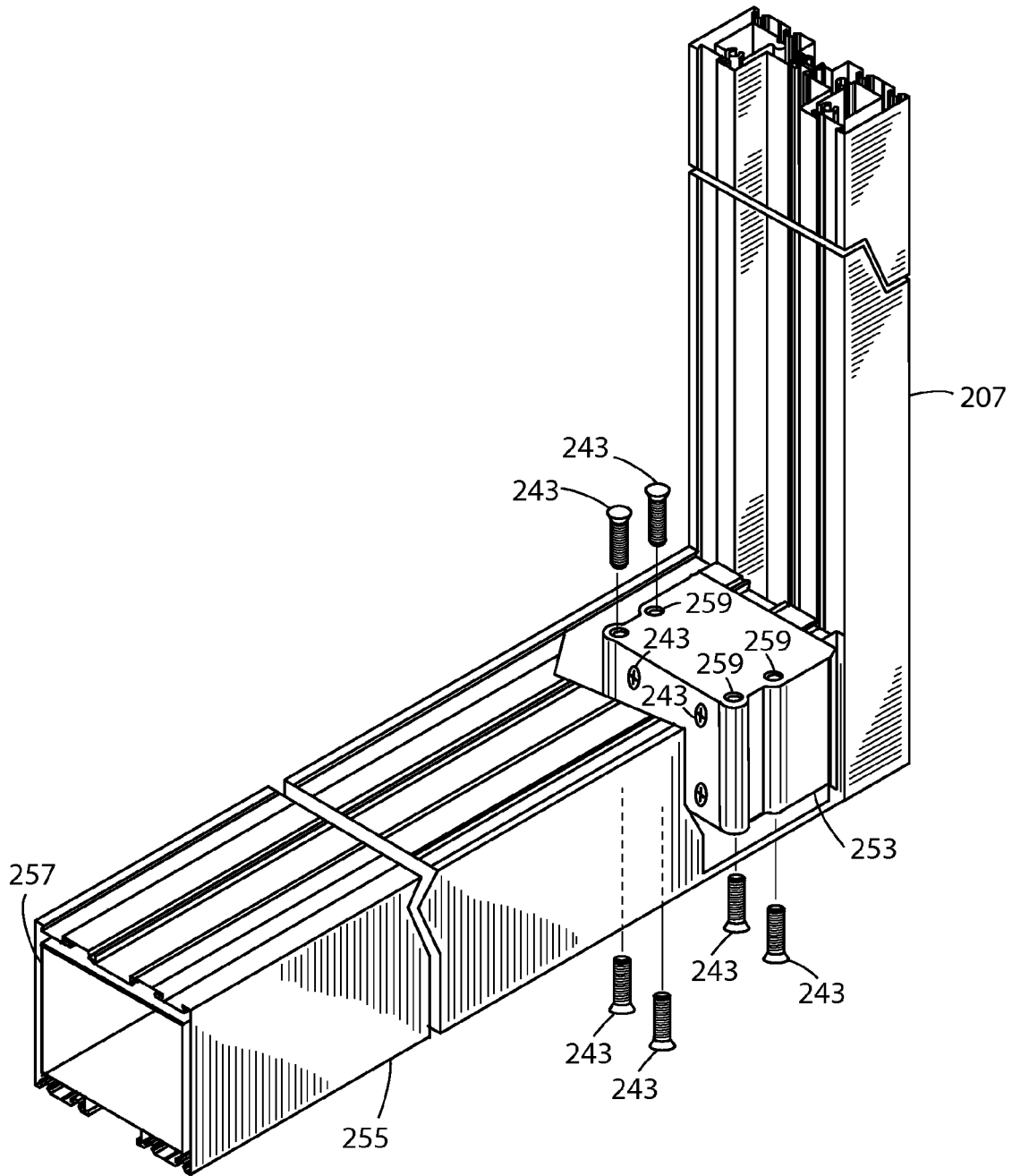


FIG. 22

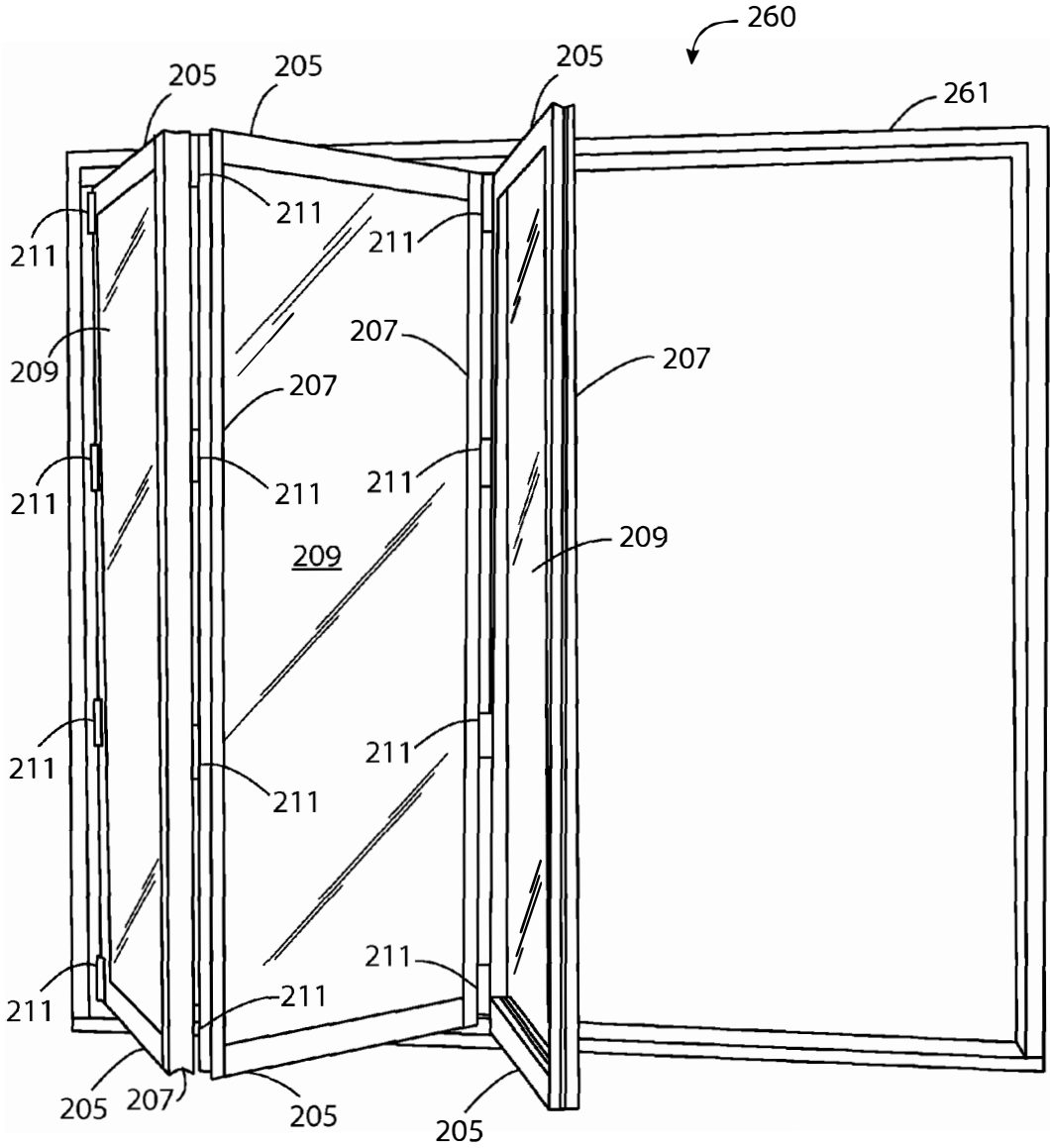


FIG. 23

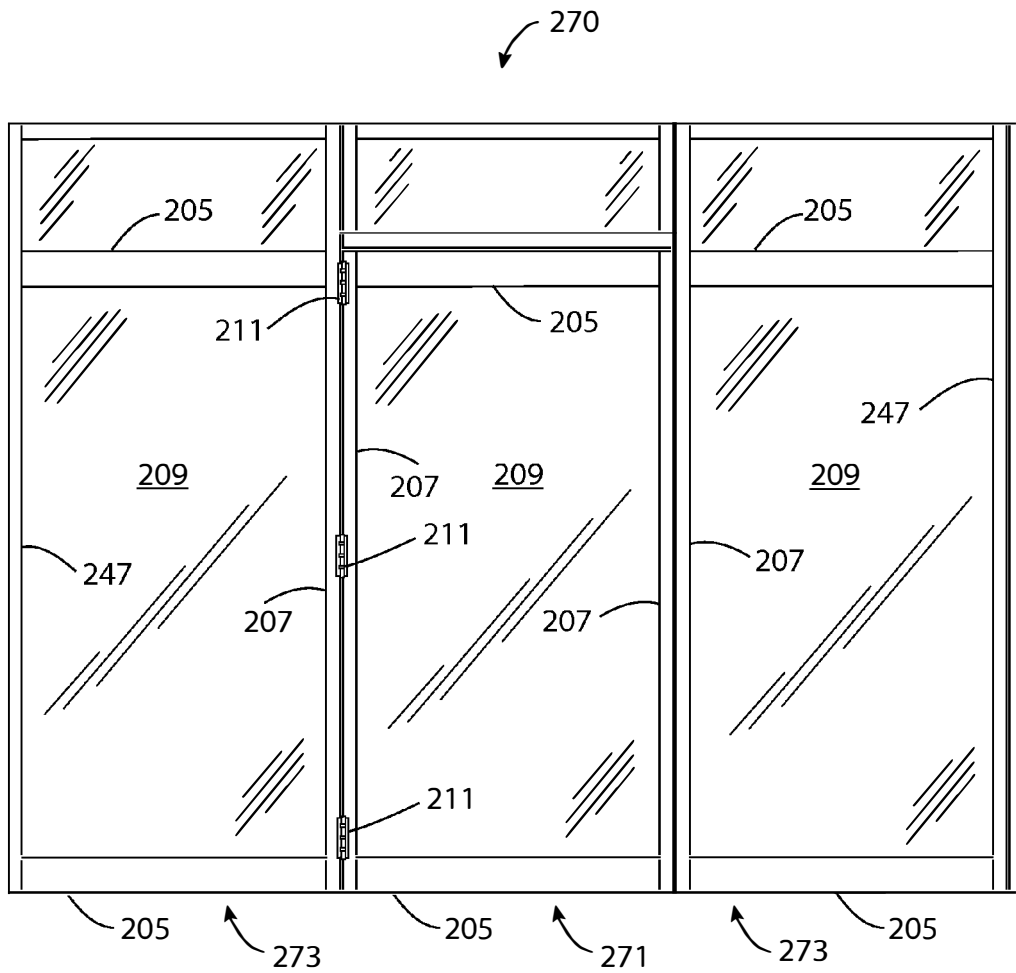


FIG. 24