



(12) **United States Patent Header**

(10) **Patent No.:** US 9,003,843 B2  
(45) **Date of Patent:** Apr. 14, 2015

- (54) **INTEGRATED DOOR OPERATOR HARDWARE**
- (71) Applicant: **Gregory Header**, Pine Grove, PA (US)
- (72) Inventor: **Gregory Header**, Richland, PA (US)
- (\* ) Notice: Subject to any disclaimer, the term of this patent is extended or adjusted under 35 U.S.C. 154(b) by 124 days.

5,015,019	A *	5/1991	Razdolsky	292/200
6,023,952	A *	2/2000	Mantarakis et al.	70/99
6,176,041	B1 *	1/2001	Roberts	49/395
6,511,104	B1 *	1/2003	Horgan, Jr.	292/92
6,626,473	B1	9/2003	Klein et al.	
6,843,084	B2 *	1/2005	Porter	70/208
7,753,418	B2 *	7/2010	Fleming	292/336.3

(Continued)

**FOREIGN PATENT DOCUMENTS**

CN	201546492	U	8/2010
CN	201635493	U *	11/2010

(Continued)

- (21) Appl. No.: **13/918,081**
- (22) Filed: **Jun. 14, 2013**

**OTHER PUBLICATIONS**

Door Handles, accessed on the Internet at: <http://www.houzz.com/door-handles/p/96> on Apr. 13, 2013.

(Continued)

- (65) **Prior Publication Data**  
US 2014/0366595 A1 Dec. 18, 2014

- (51) **Int. Cl.**  
*E05B 1/00* (2006.01)  
*E05B 15/00* (2006.01)  
*E05B 63/24* (2006.01)
- (52) **U.S. Cl.**  
CPC . *E05B 1/00* (2013.01); *E05B 15/00* (2013.01);  
*E05B 1/003* (2013.01); *E05B 63/246*  
(2013.01); *Y10S 292/46* (2013.01); *Y10S 292/63*  
(2013.01)

*Primary Examiner* — Christopher Boswell  
*Assistant Examiner* — Amanda L Miller  
 (74) *Attorney, Agent, or Firm* — Stone Creek Services LLC;  
 Alan M Flum

(57) **ABSTRACT**

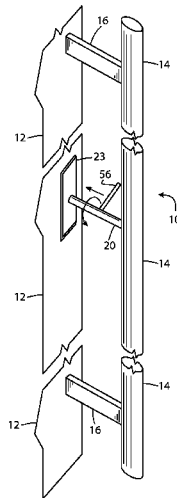
Disclosed in one aspect is the fixed door pull handle assembly that includes an elongated door pull handle with two or more support standoffs projecting away from the elongated door pull handle and securing the elongated door pull handle to the doorframe or to the body of the door. One of the support standoffs is user rotatable, and rotatably engages a door latch assembly within the door. In another aspect, the support standoff is not user rotatable. Instead, a center-pivoting handle is mounted in-line with one of the support standoffs and rotatably engages the door latch assembly within the door. The center-pivoting handle is recessed within the elongated handle.

- (58) **Field of Classification Search**  
CPC ..... E05B 7/00; E05B 1/00; E05B 1/003;  
E05B 1/0038; E05B 15/00; E05B 15/0033;  
E05B 63/246  
USPC ..... 292/336.3, 347, 348, DIG. 46, DIG. 63,  
292/32, 34, 40, 5-7, 11, 63, 66; 70/95, 96,  
70/97, 98, 99, 100, 103, 113, 114, 224, 92  
See application file for complete search history.

- (56) **References Cited**  
U.S. PATENT DOCUMENTS

3,591,224	A *	7/1971	Unter	292/336.3
4,088,353	A *	5/1978	Meyer	292/36
4,099,756	A *	7/1978	Kagoura	292/336.3

**13 Claims, 14 Drawing Sheets**



(56)

**References Cited**

U.S. PATENT DOCUMENTS

7,837,241	B2 *	11/2010	Chung et al. ....	292/199
7,849,718	B2 *	12/2010	Ambrass .....	70/92
2007/0200368	A1 *	8/2007	Bauer .....	292/336.3
2009/0217718	A1 *	9/2009	Porter .....	70/271
2010/0171329	A1 *	7/2010	Lambrou et al. ....	292/336.3
2011/0181057	A1	7/2011	Danino	
2012/0240718	A1	9/2012	Goetze	

FOREIGN PATENT DOCUMENTS

CN	202000749	U	10/2011
CN	202788371	U	3/2013
DE	202006016305	U1	1/2007
DE	202009012250	U1	1/2010
DE	102009002419	A1	10/2010
EP	1026346	B2	1/2006
EP	2105554	A1	3/2009
EP	2543799	A2	1/2013
FR	2954793	A1 *	7/2011
FR	2967187	A1	5/2012
JP	2011111826	A	6/2011

OTHER PUBLICATIONS

Door Handles, accessed on the Internet at: <http://www.houzz.com/long-door-handle/p/16> on Apr. 13, 2013.  
 Front Door Handle, accessed on the Internet at: <http://www.houzz.com/front-door-handle> on Apr. 13, 2013.  
 Front Door Handle, accessed on the Internet at: <http://www.houzz.com/front-door-handle/p/32> on Apr. 13, 2013.  
 Sliding Door Handle, accessed on the Internet at: <http://www.houzz.com/sliding-door-handle/p/16> on Apr. 13, 2013.

Sliding Door Handle, accessed on the Internet at: <http://www.houzz.com/sliding-door-handle/p/232> on Apr. 13, 2013.

Long Door Pulls, accessed on the Internet at: <http://www.firstimpres-sionsint.com/longdoorpulls.html> on Apr. 13, 2013.

Italian Style Glass Door Lock, accessed on the Internet at: [http://sell.lulusoso.com/upload/20120509/Italian\\_style\\_glass\\_door\\_lock.jpg](http://sell.lulusoso.com/upload/20120509/Italian_style_glass_door_lock.jpg) on Apr. 13, 2013.

Door Handle (with lock) E01K001, ArchiExpo, GFS Glass Fixing System, accessed on the Internet at: <http://www.archiexpo.com/prod/gsf-glass-fixing-system/door-handles-with-lock-62888-267623.html> on Apr. 13, 2013.

Glass Door Handles GDH126, Solar International Co., Limited, accessed on the Internet at: [http://solar-ok.com/product\\_show.asp?keyno=1534](http://solar-ok.com/product_show.asp?keyno=1534) on Apr. 13, 2013.

Glass Door Handles GDH108, Solar International Co., Limited, accessed on the Internet at: [http://solar-ok.com/product\\_show.asp?keyno=1535](http://solar-ok.com/product_show.asp?keyno=1535) on Apr. 13, 2013.

Dorma Glas Locking Ladder Pull Catalog, Jun. 2012, Dorma Glas, Reamstown, PA.

Locking Pull System Catalog, Rockwood Manufacturing Company, Rockwood, PA, Feb. 2012.

Tubular pull handles in Stainless Steel with lock incorporated (K-Lock 200C-001), PBA, Italy, accessed on the Internet at: <http://www.pba.it/en/products/complements-for-doors-and-windows/pull-handles-with-lock/200c/200c-002/> on Apr. 13, 2013.

Programma K-Lock, Apr. 9, 2008, PBA, Italy.

K-Lock, lightbox photo, <http://www.pba.it/en/products/complements-for-doors-and-windows/pull-handles-with-lock/200c/200c-002/>.

ADA Turn Locking Pull System Enhancement, Rookwood Manufacturing Company, accessed on the Internet at: <http://www.rockwoodmfg.com/whatsnew.html> on Apr. 13, 2013.

\* cited by examiner

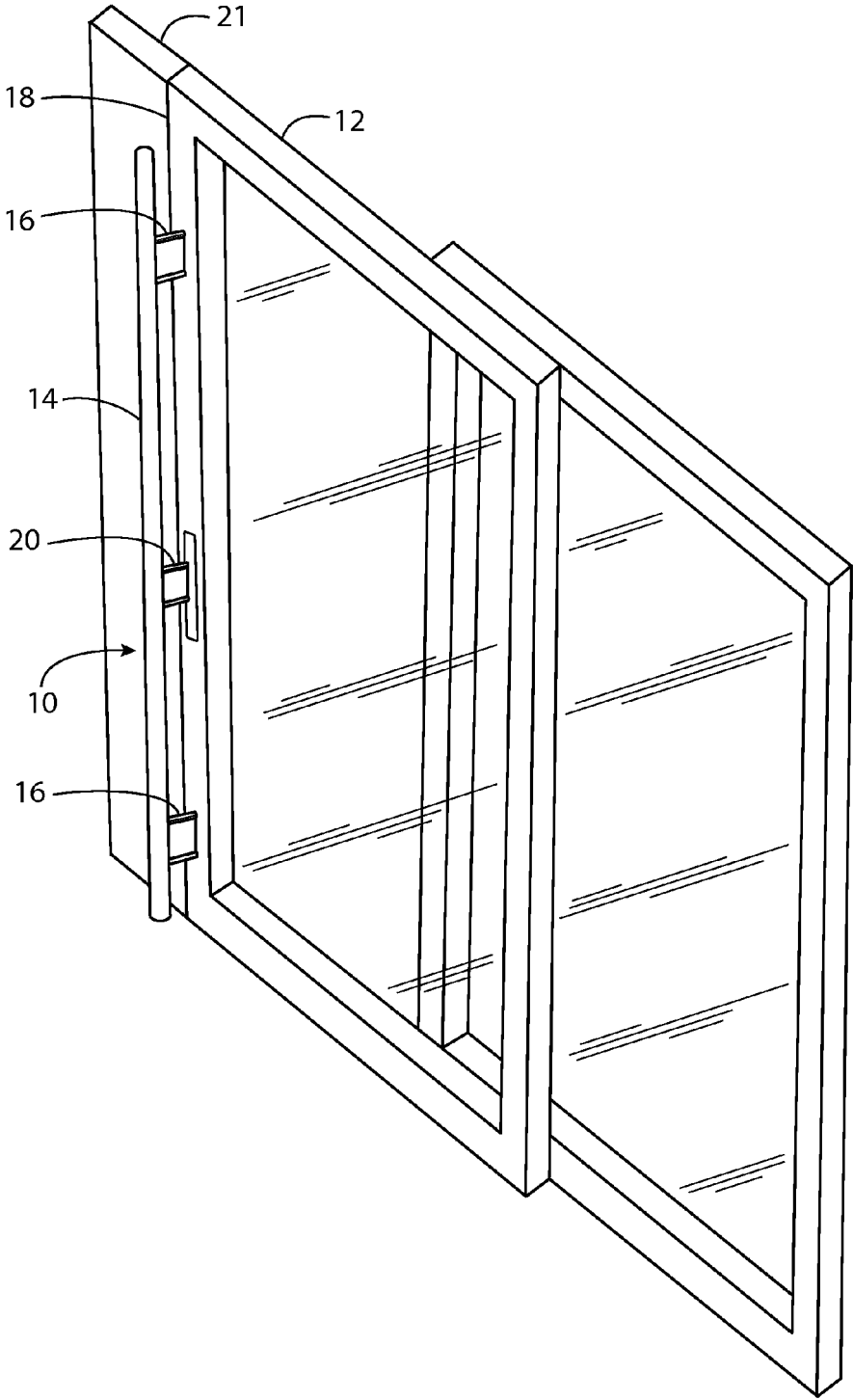


FIG. 1

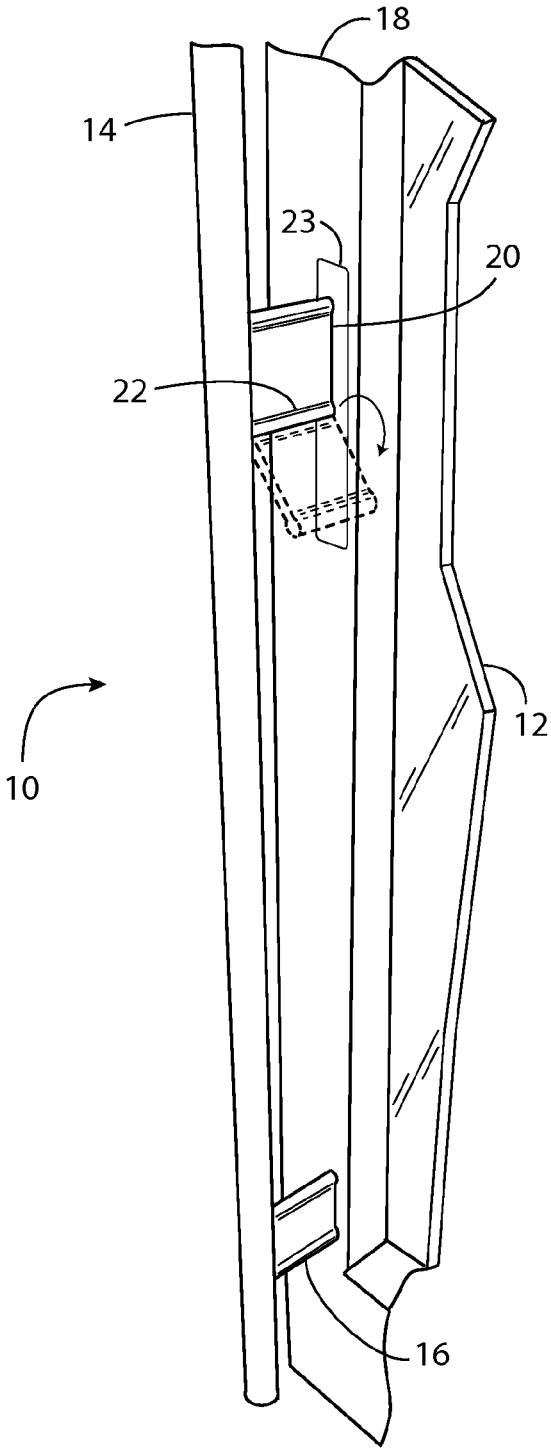
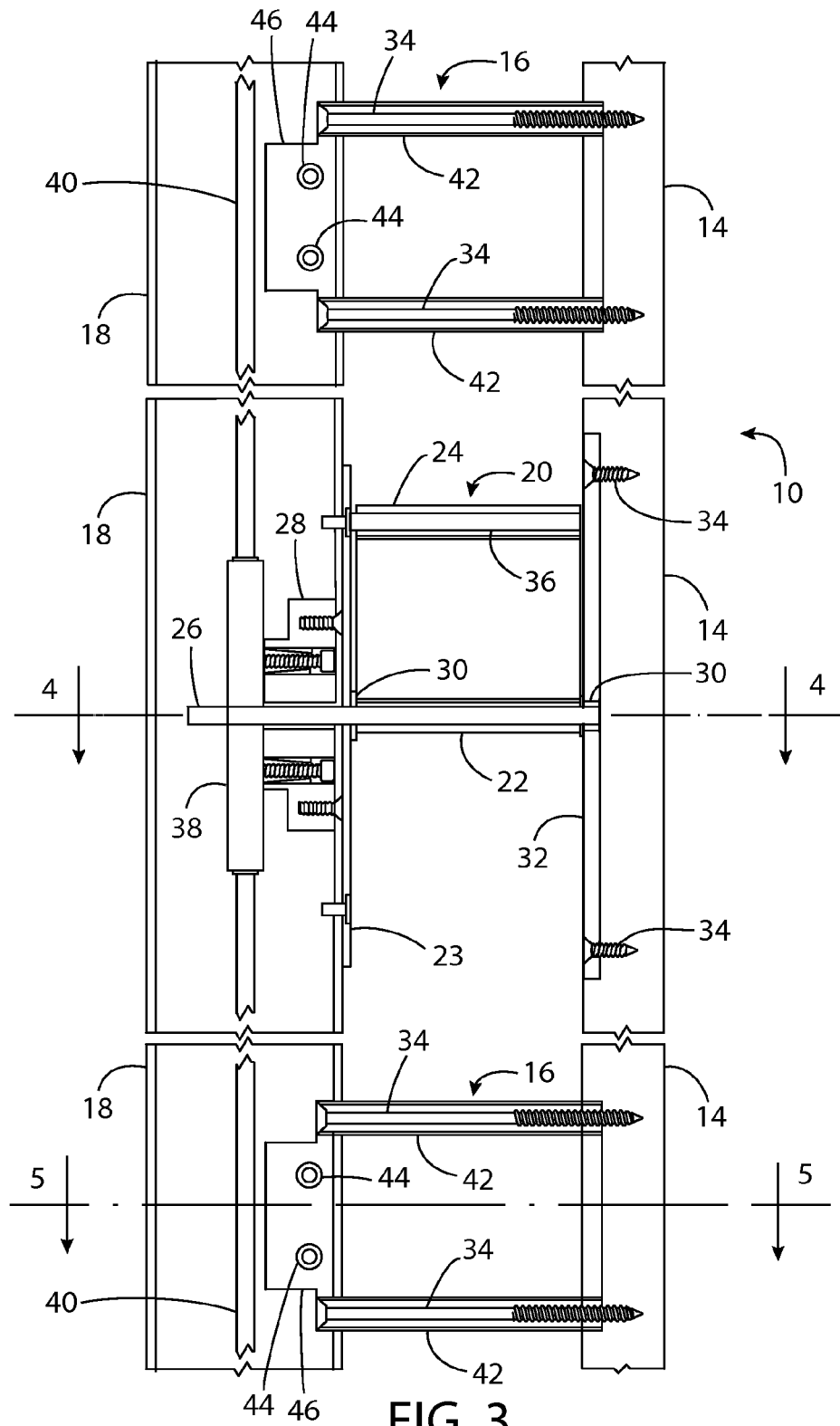


FIG. 2



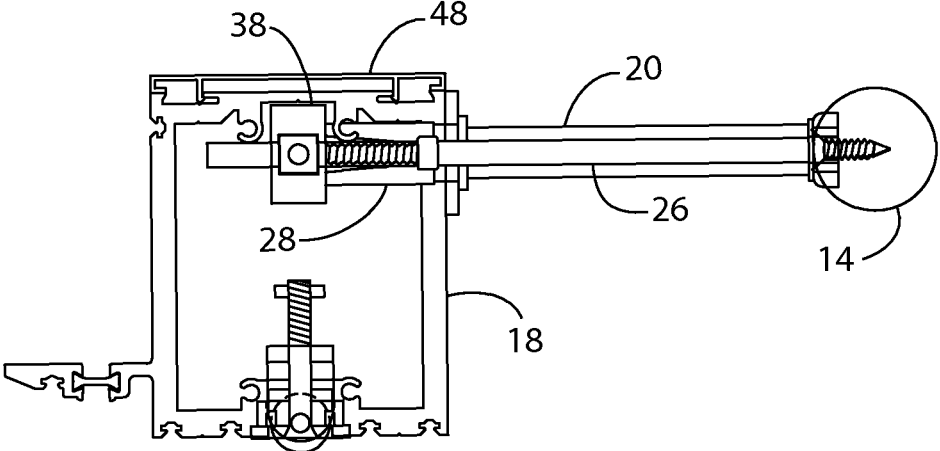


FIG. 4

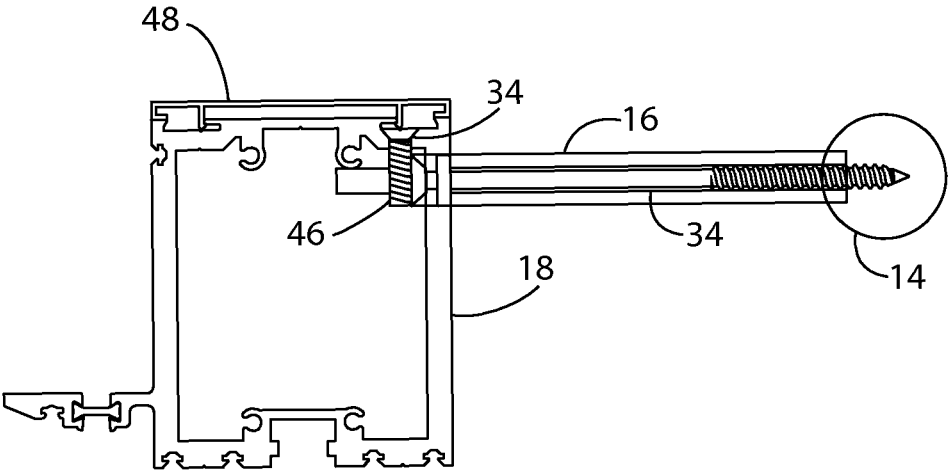


FIG. 5

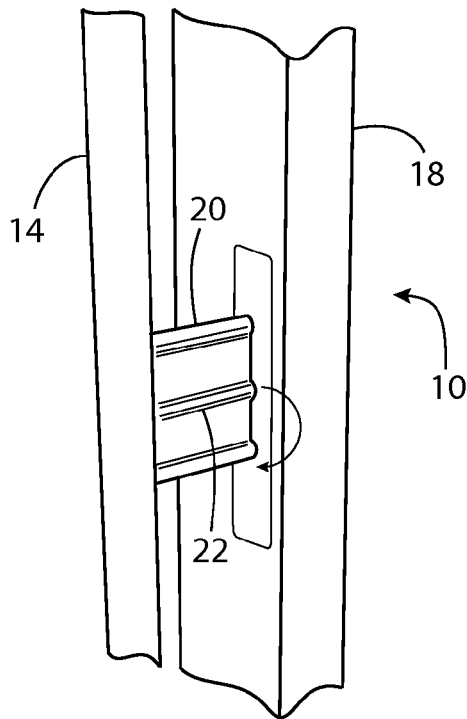


FIG. 6

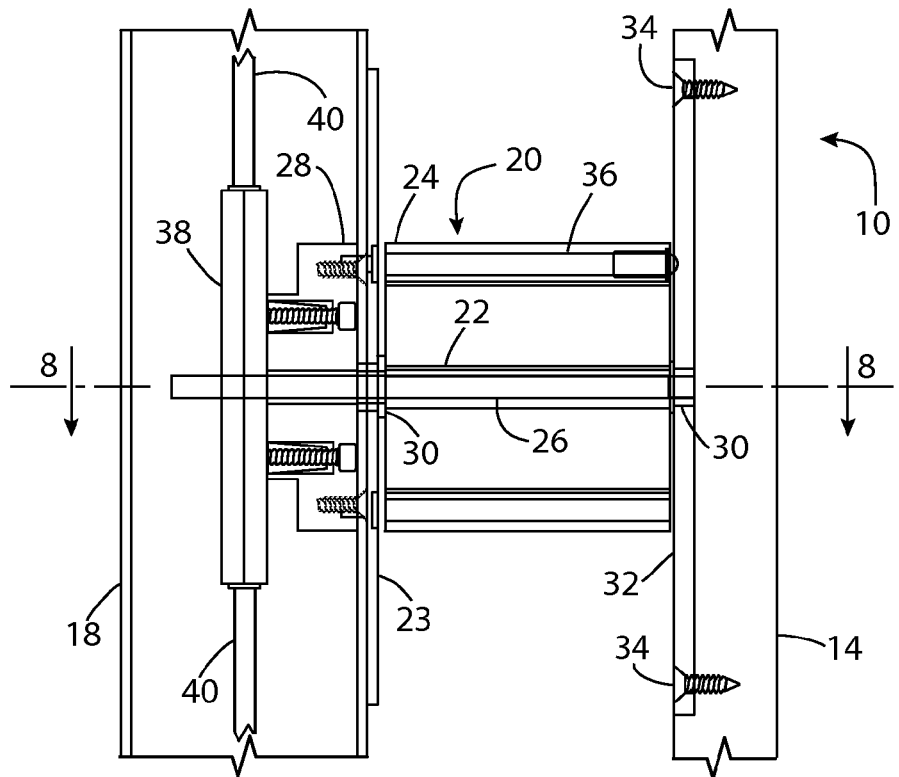


FIG. 7

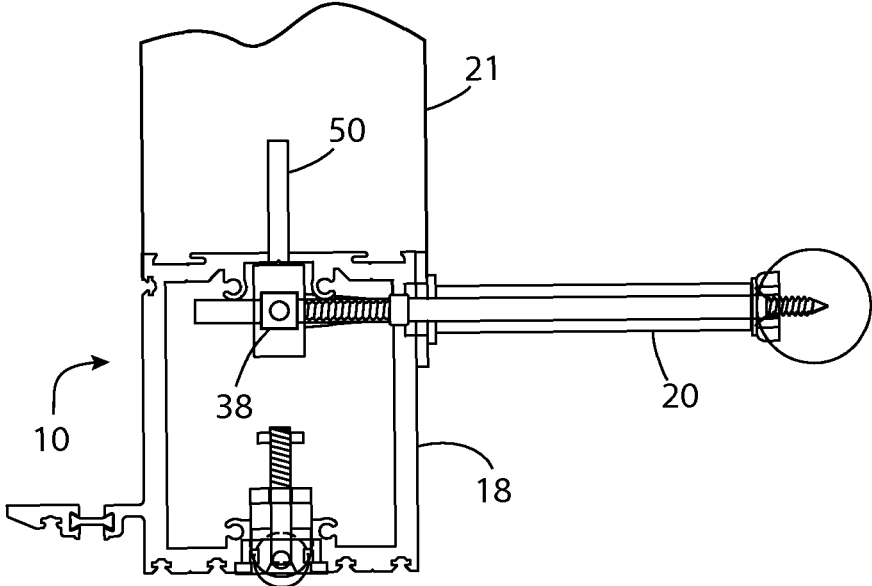


FIG. 8



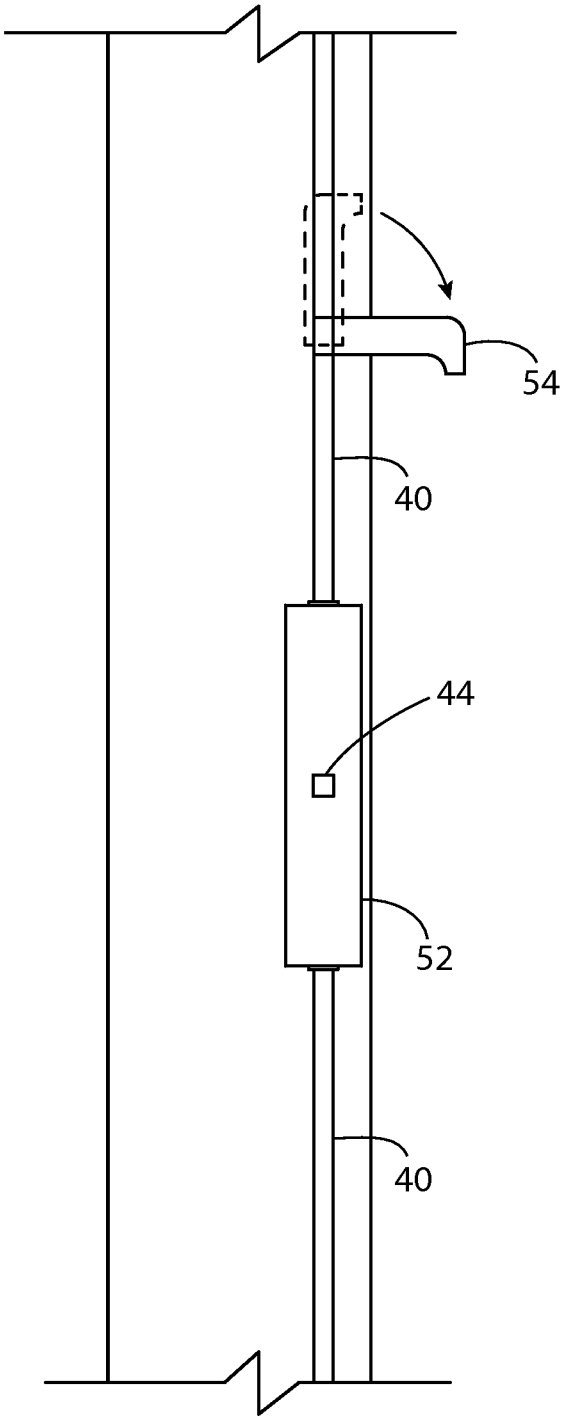


FIG. 9

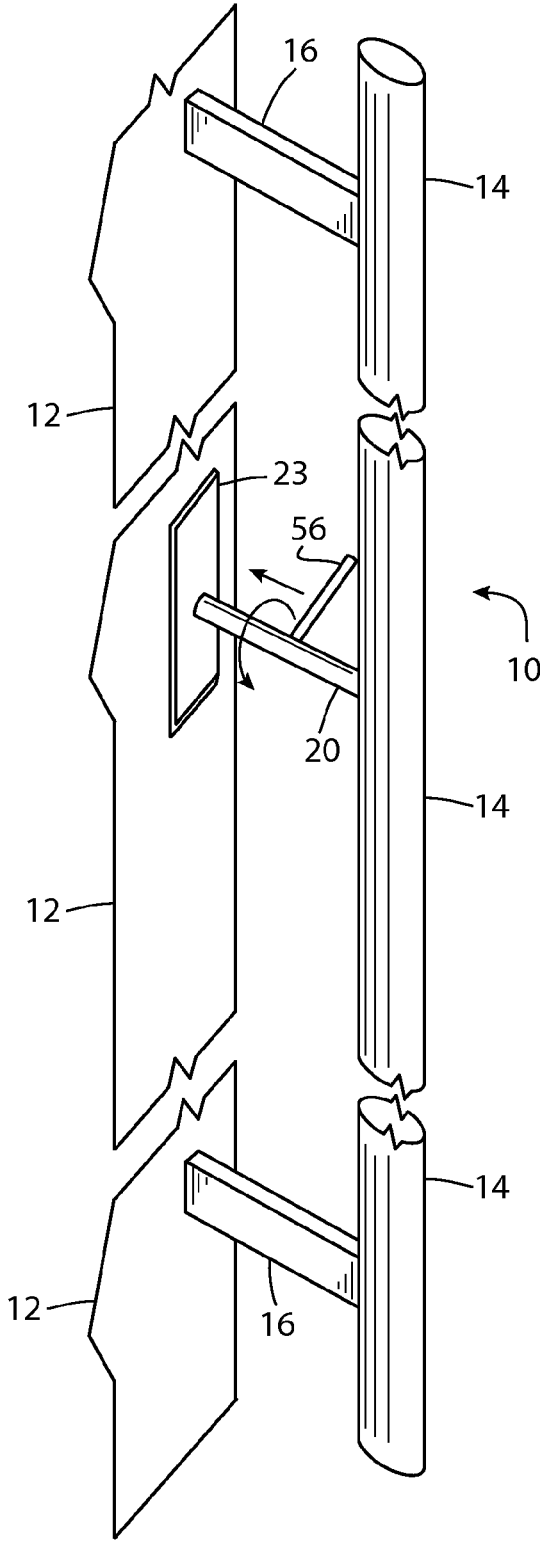


FIG. 10

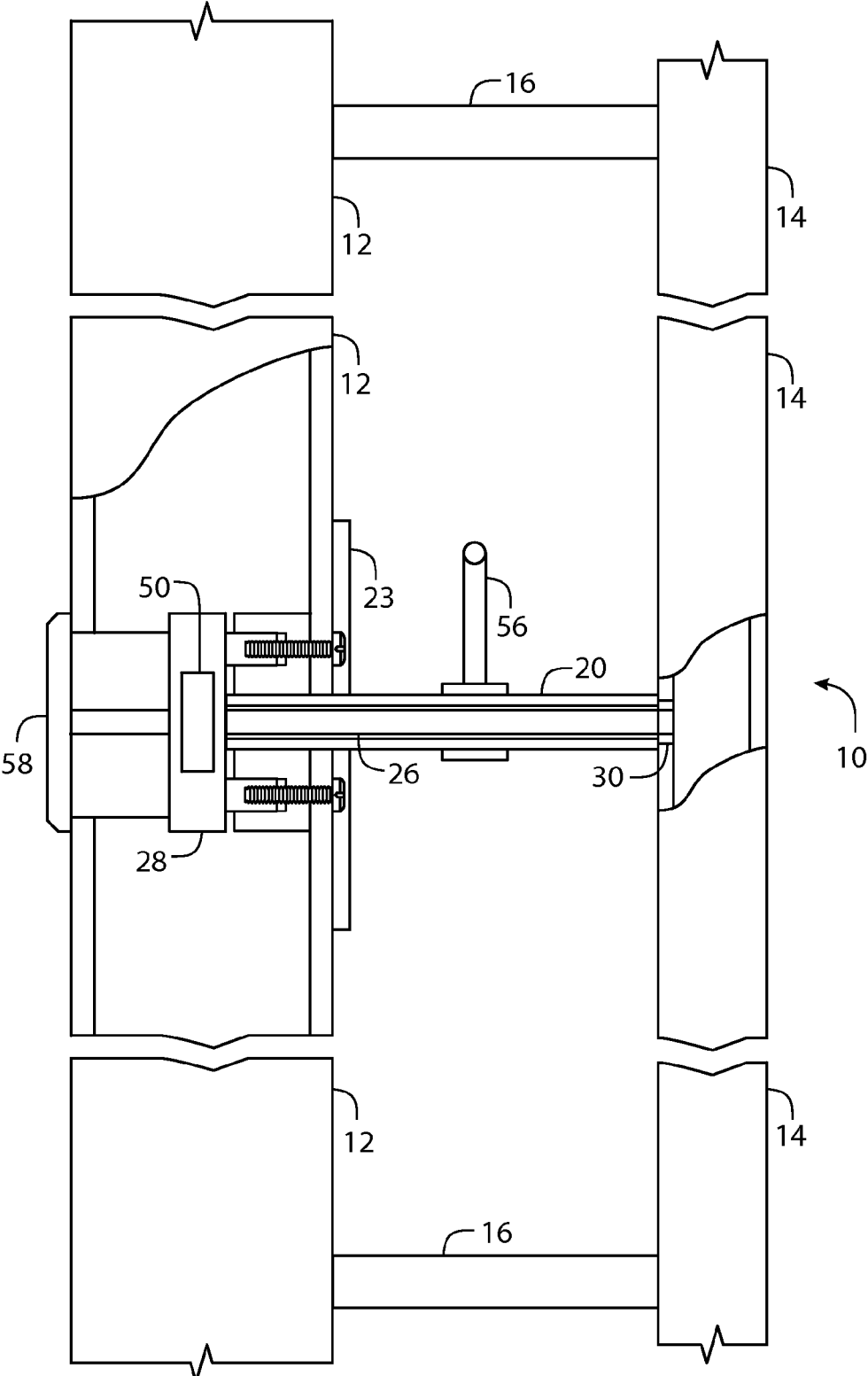


FIG. 11

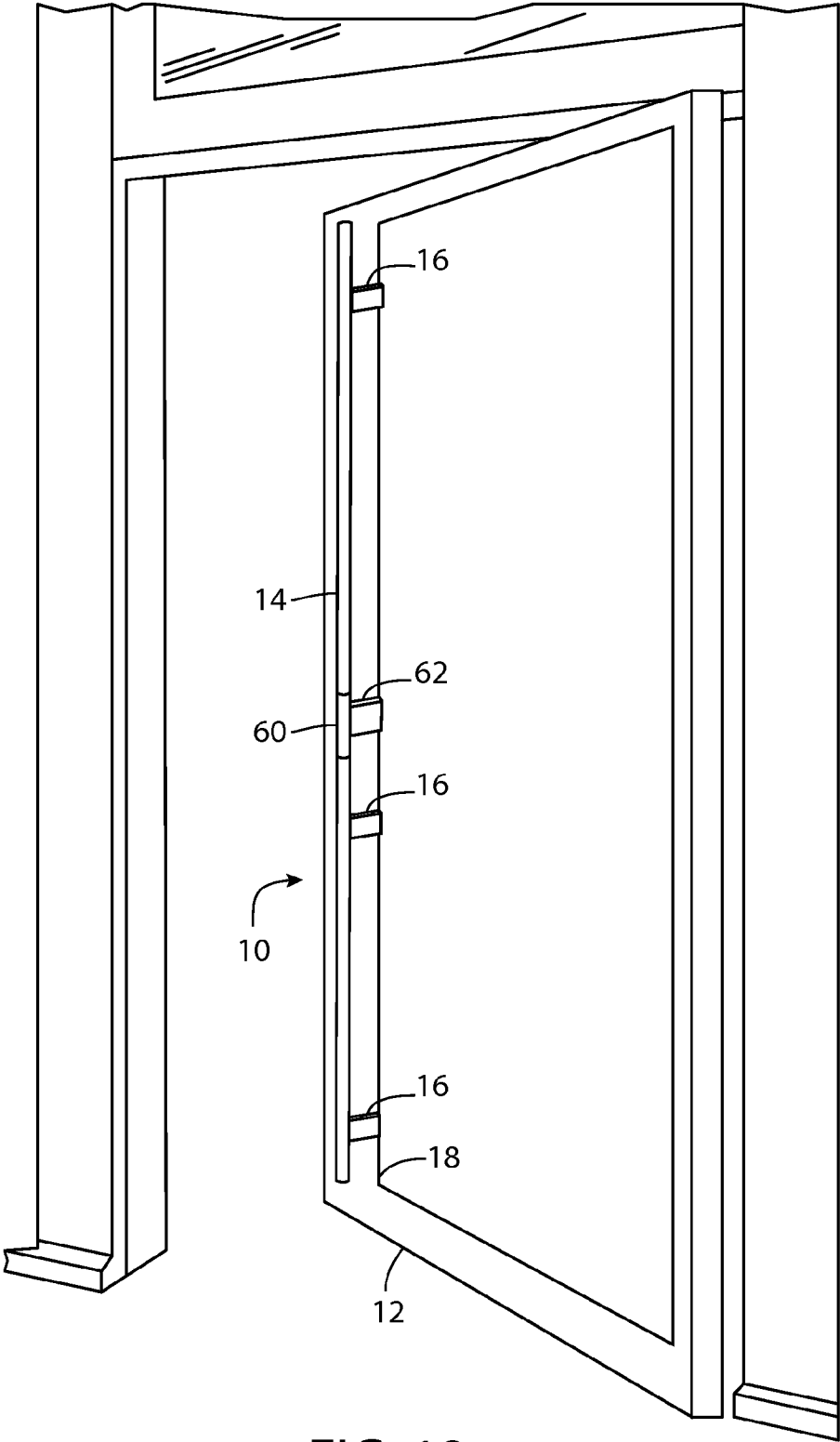


FIG. 12

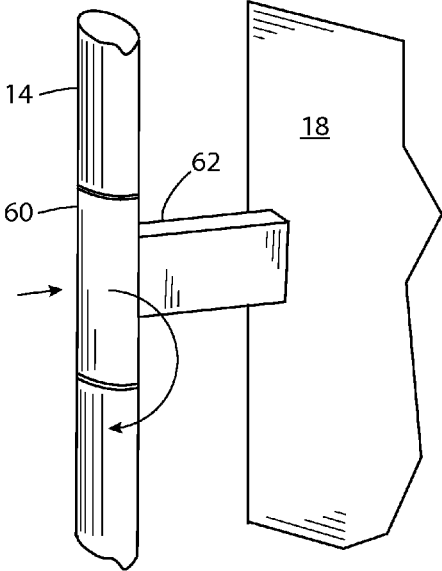


FIG. 13

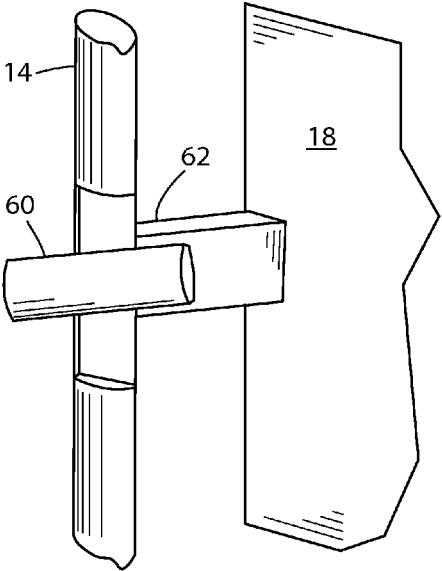


FIG. 14

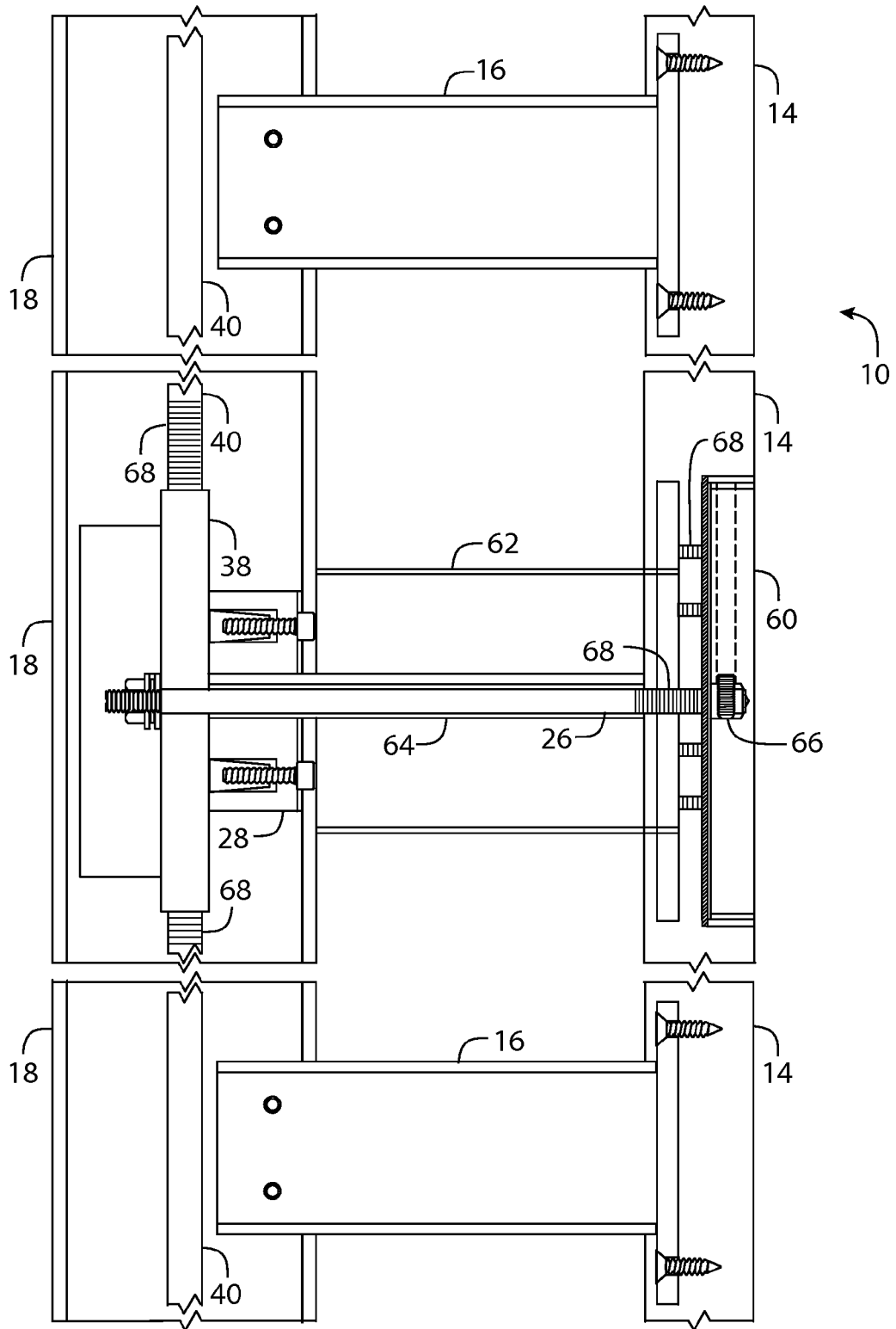


FIG. 15

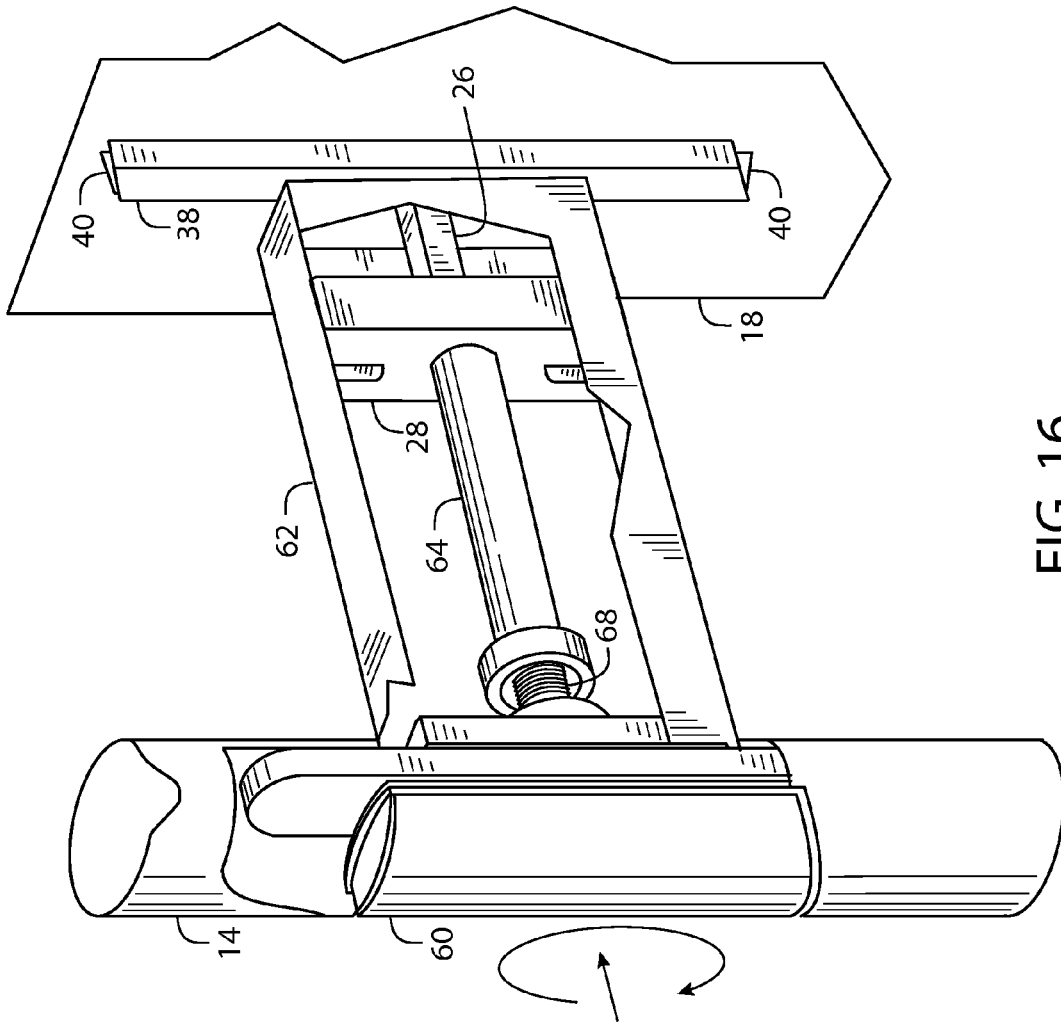


FIG. 16

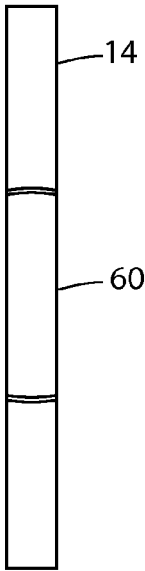


FIG. 17



FIG. 18

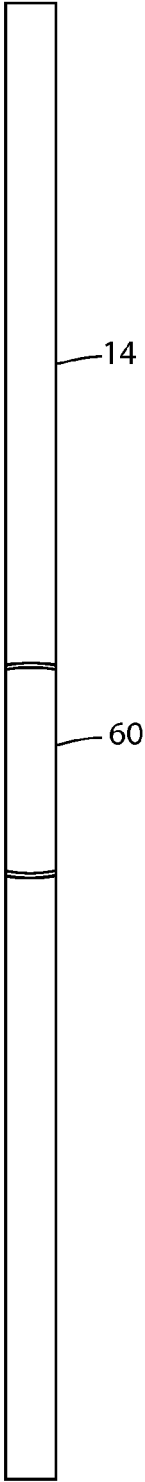


FIG. 19