



US009470028B2

(12) **United States Patent**  
**Header et al.**

(10) **Patent No.:** **US 9,470,028 B2**  
(45) **Date of Patent:** **Oct. 18, 2016**

- (54) **SLIDING DOOR ASSEMBLY**
- (71) Applicant: **Gregory A. Header**, Richland, PA (US)
- (72) Inventors: **Gregory A. Header**, Richland, PA (US);  
**Rick James Hawk**, Tower City, PA (US); **Glenn Jesse Davis**, Muir, PA (US)
- (\* ) Notice: Subject to any disclaimer, the term of this patent is extended or adjusted under 35 U.S.C. 154(b) by 0 days.
- (21) Appl. No.: **13/888,000**
- (22) Filed: **May 6, 2013**

(65) **Prior Publication Data**  
US 2014/0325912 A1 Nov. 6, 2014

- (51) **Int. Cl.**  
*E06B 3/46* (2006.01)  
*E05D 15/10* (2006.01)  
*E05D 15/06* (2006.01)  
*E06B 3/36* (2006.01)

- (52) **U.S. Cl.**  
CPC ..... *E05D 15/0652* (2013.01); *E05D 15/0656* (2013.01); *E05D 15/10* (2013.01); *E06B 3/4645* (2013.01); *E05D 2015/1026* (2013.01); *E05Y 2900/132* (2013.01); *E06B 3/362* (2013.01)

- (58) **Field of Classification Search**  
CPC ..... E05D 15/0608; E05D 15/1042; E05D 2015/1055; E05D 2015/106; E05D 15/0613; E05D 15/0652; E05D 15/0656; E05D 15/10; E06B 3/4645  
USPC ..... 49/213, 214, 216, 208, 209, 425, 125, 49/127, 128, 129, 130  
See application file for complete search history.

- (56) **References Cited**  
U.S. PATENT DOCUMENTS  
550,339 A \* 11/1895 Chandler ..... 16/87 R  
570,711 A \* 11/1896 Newhall ..... 49/127

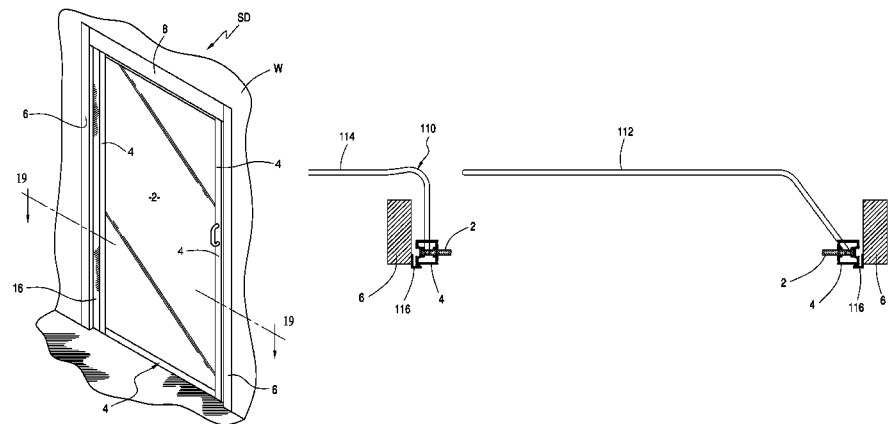
770,829 A *	9/1904	Smart	49/214
840,732 A *	1/1907	Wyeth	16/100
932,187 A *	8/1909	Straubhaar	49/129
1,462,302 A *	7/1923	Phillips	49/127
2,144,782 A *	1/1939	Swanson	49/130
2,289,960 A *	7/1942	Grignet	49/129
2,317,312 A *	4/1943	Swanson et al.	49/130
2,657,436 A *	11/1953	Fairhurst et al.	52/64
2,944,282 A *	7/1960	Greco	16/87 R
3,279,123 A *	10/1966	Genison	49/127
3,309,816 A	3/1967	Malone	
3,334,375 A *	8/1967	Hubbard	16/97
3,425,160 A	2/1969	Petterborg	
3,694,959 A *	10/1972	Gartner	49/128
3,708,916 A	1/1973	Karp et al.	
3,925,933 A	12/1975	Reuter	
4,555,828 A *	12/1985	Matimura	16/95 R
4,573,286 A *	3/1986	Favrel et al.	49/214
5,016,318 A *	5/1991	Harris	16/95 R
5,022,454 A	6/1991	Kobayashi et al.	
5,090,171 A *	2/1992	Kano et al.	52/243.1
5,181,296 A	1/1993	Williams	

(Continued)

*Primary Examiner* — Justin Rephann  
(74) *Attorney, Agent, or Firm* — Stone Creek Services LLC; Alan M Flum

(57) **ABSTRACT**  
A sliding door assembly for incorporation within a wall, the assembly comprising a sliding door panel, a top rail guide and a bottom rail guide operatively associated with respective top and bottom ends of the sliding door panel to guide the same within a pair of cooperating guide tracks provided within each of the top rail guides and bottom rail guides, the top and bottom rails guides are not vertically interconnected whereby the pairs of cooperating guide tracks extend in a separate plane from that of the wall so that when the sliding door panel is fully opened it is disposed behind the wall. The invention includes a guide track that is bifurcated to provide multiple sliding door panels.

**2 Claims, 17 Drawing Sheets**



(56)

**References Cited**

U.S. PATENT DOCUMENTS

5,230,123	A *	7/1993	Williams et al. ....	16/95 R	6,848,214	B2	2/2005	Bischof et al.	
5,613,323	A *	3/1997	Buening .....	49/380	7,255,045	B2 *	8/2007	Owens .....	104/89
6,041,551	A *	3/2000	Aspenwall .....	49/425	7,584,574	B2 *	9/2009	Kinross et al. ....	49/413
6,286,258	B1	9/2001	Bischof et al.		7,647,728	B2 *	1/2010	Bortoluzzi .....	49/209
6,286,277	B1 *	9/2001	Blobaum et al. ....	52/243.1	7,980,027	B2 *	7/2011	Kraus et al. ....	49/209
6,374,456	B1	4/2002	Fort et al.		8,113,607	B2 *	2/2012	Slager et al. ....	312/304
6,438,912	B1	8/2002	Avent		8,375,638	B2 *	2/2013	Martin et al. ....	49/409
6,497,072	B2 *	12/2002	Fries .....	49/209	8,375,645	B2 *	2/2013	Iwauchi et al. ....	52/29
6,516,566	B2	2/2003	Finke		8,375,646	B2 *	2/2013	Newkirk et al. ....	52/29
6,553,715	B1	4/2003	Lonnberg		2003/0226315	A1 *	12/2003	Haab et al. ....	49/127
6,684,567	B2 *	2/2004	Heidrich et al. ....	49/213	2007/0277442	A1 *	12/2007	Dery et al. ....	49/362
6,691,462	B2 *	2/2004	Oestermann .....	49/213	2008/0100093	A1 *	5/2008	Seiple et al. ....	296/146.16
6,826,867	B1 *	12/2004	McDonald et al. ....	49/213	2010/0050530	A1 *	3/2010	Blasi .....	49/358
					2010/0199563	A1 *	8/2010	Bortoluzzi .....	49/128
					2010/0205865	A1 *	8/2010	Iwauchi et al. ....	49/404
					2010/0281931	A1 *	11/2010	Slager et al. ....	70/78

\* cited by examiner

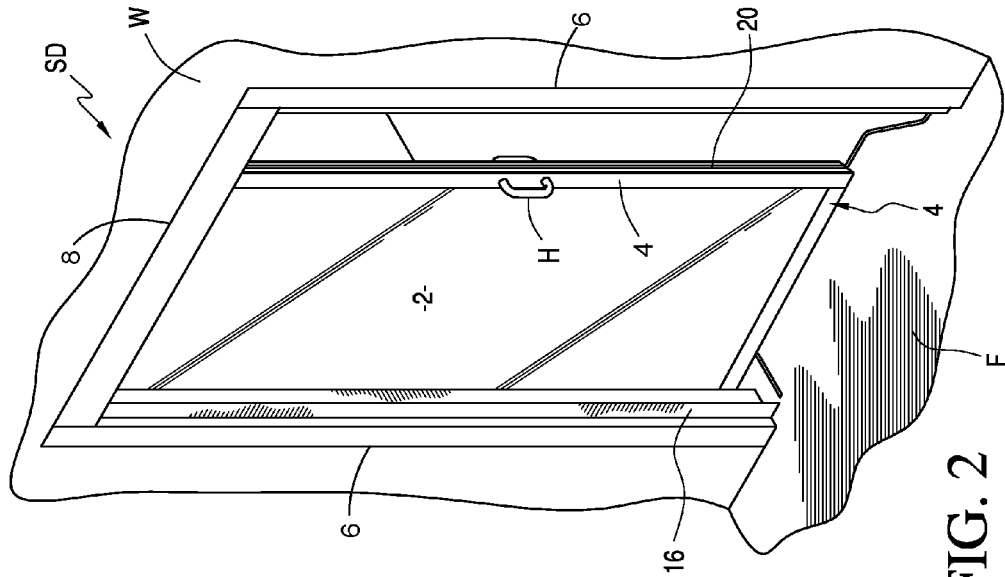


FIG. 2

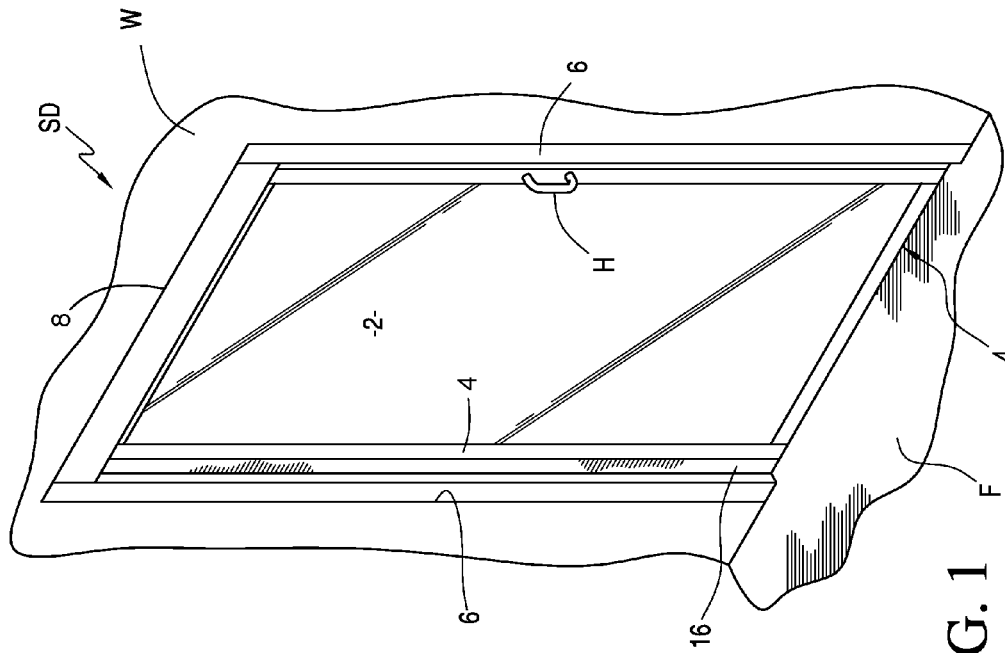


FIG. 1

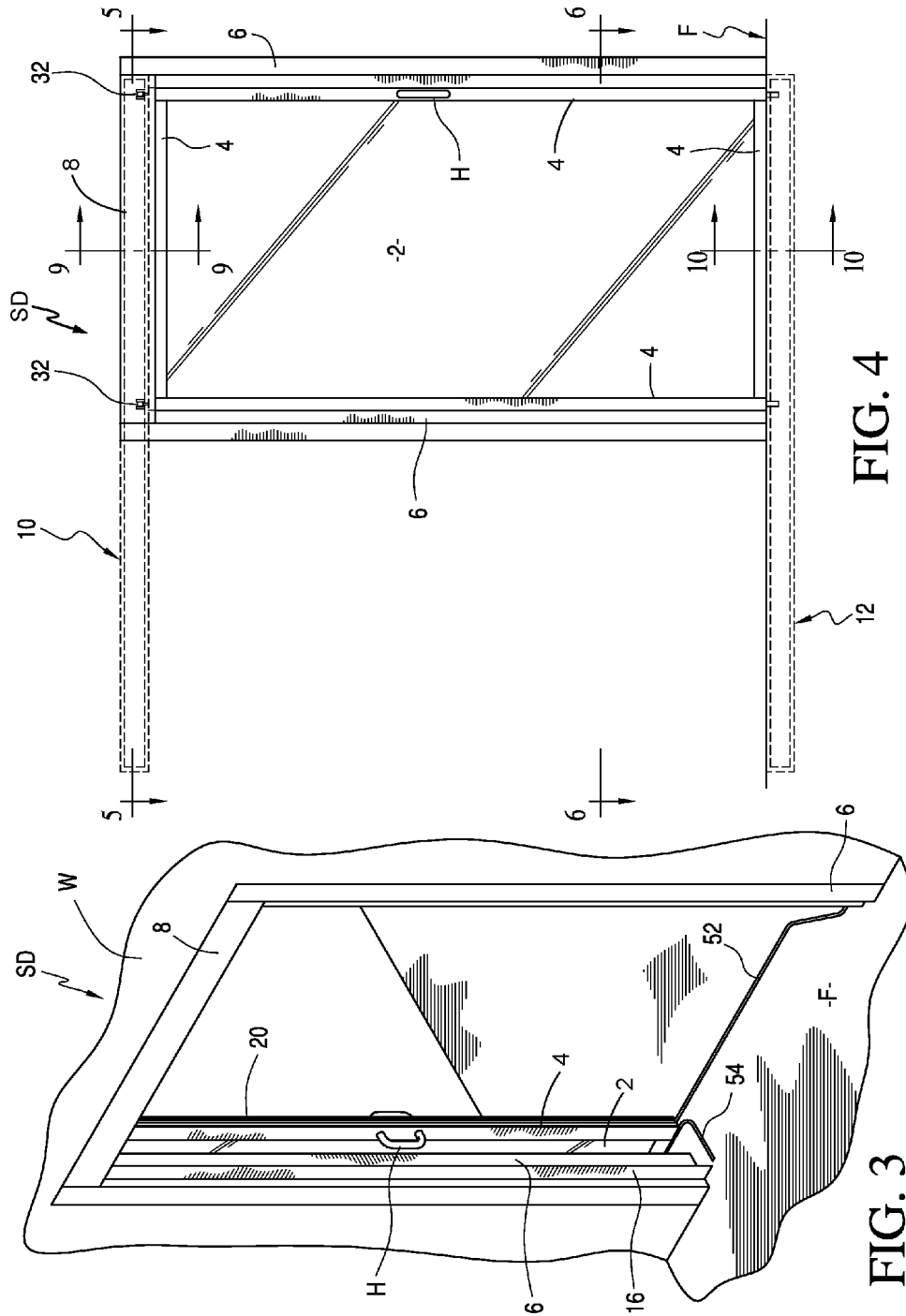


FIG. 4

FIG. 3

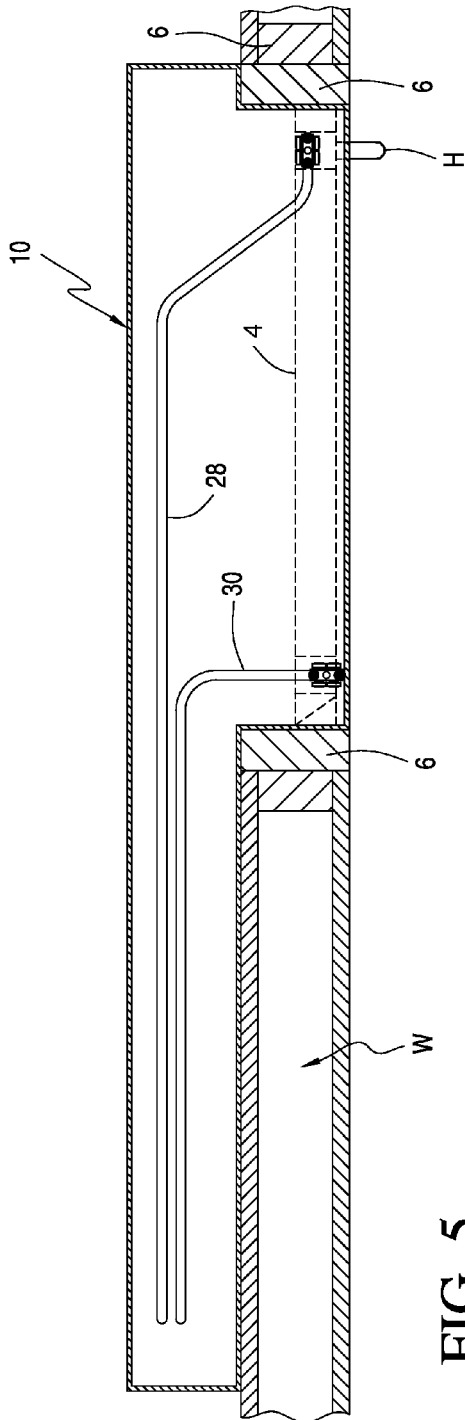


FIG. 5

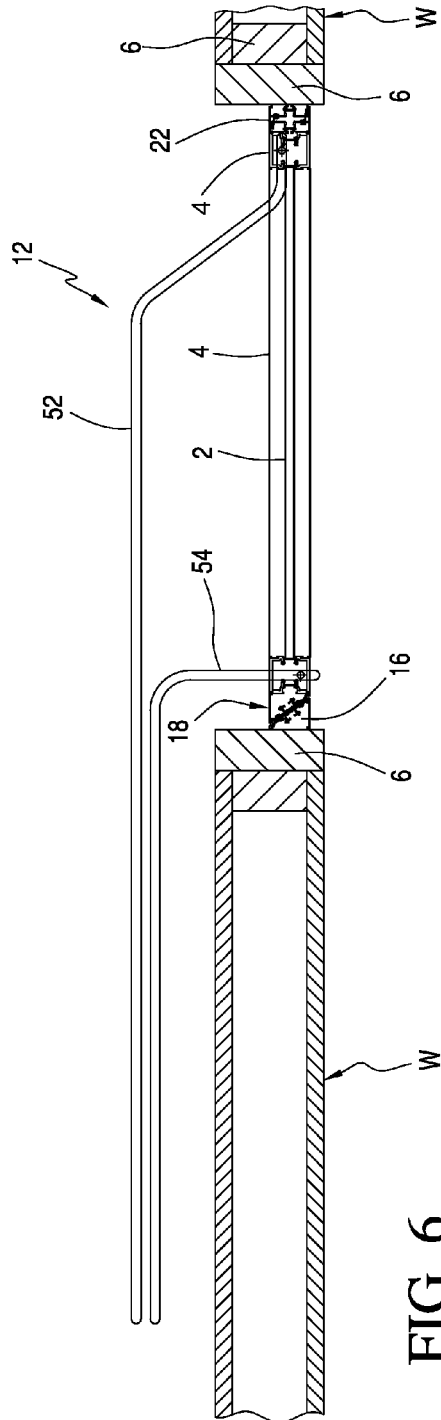


FIG. 6

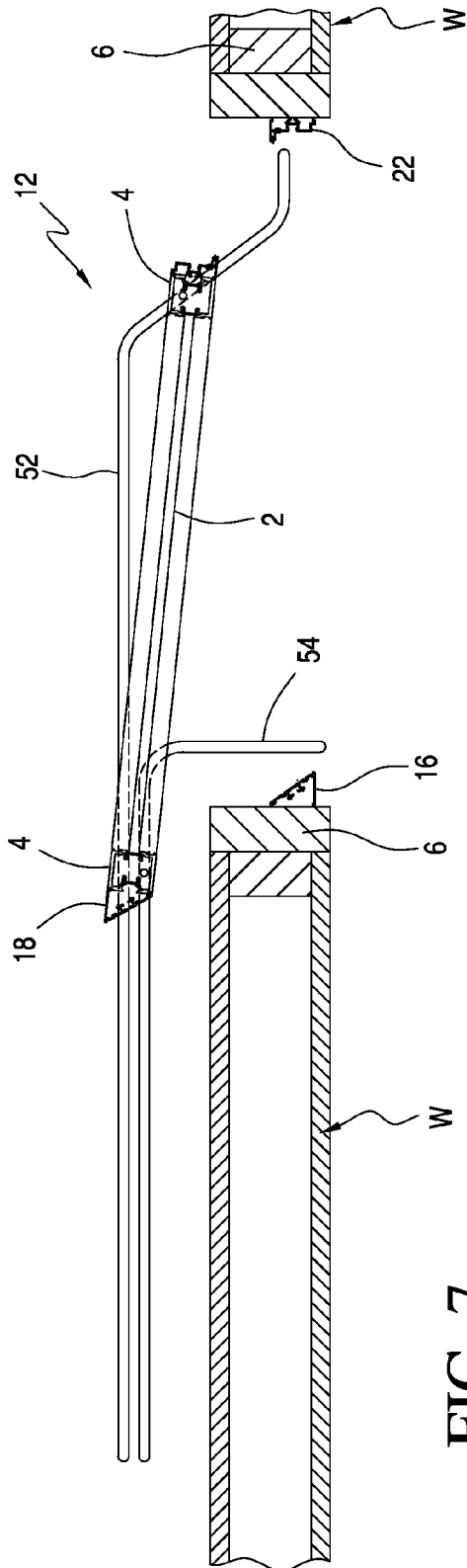


FIG. 7

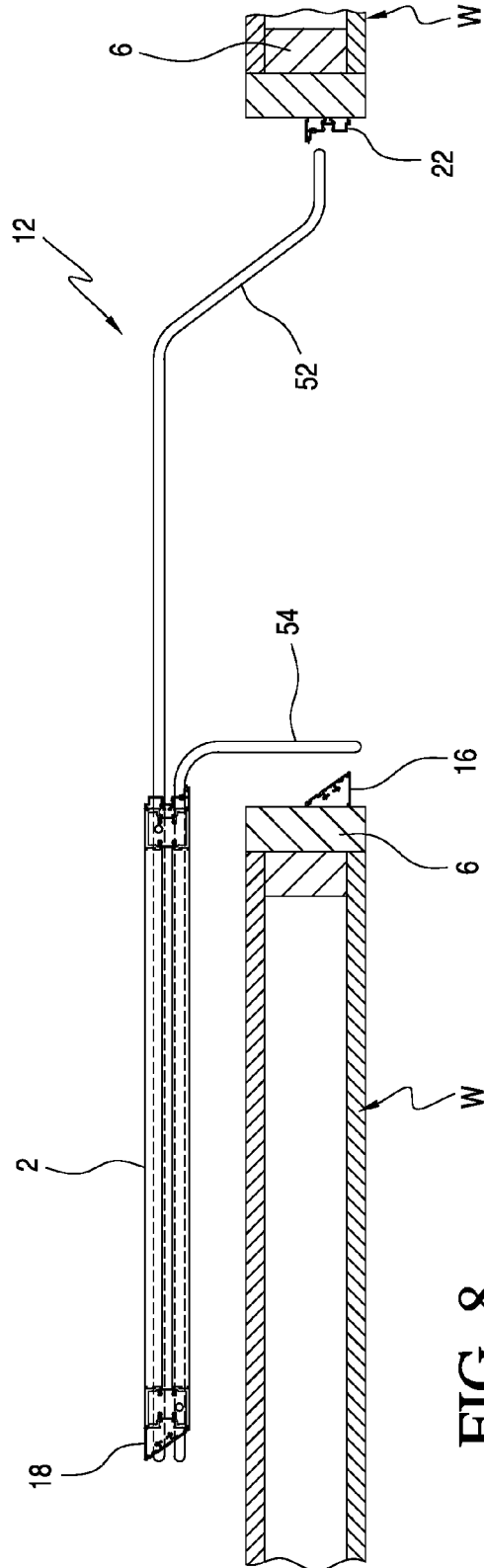


FIG. 8

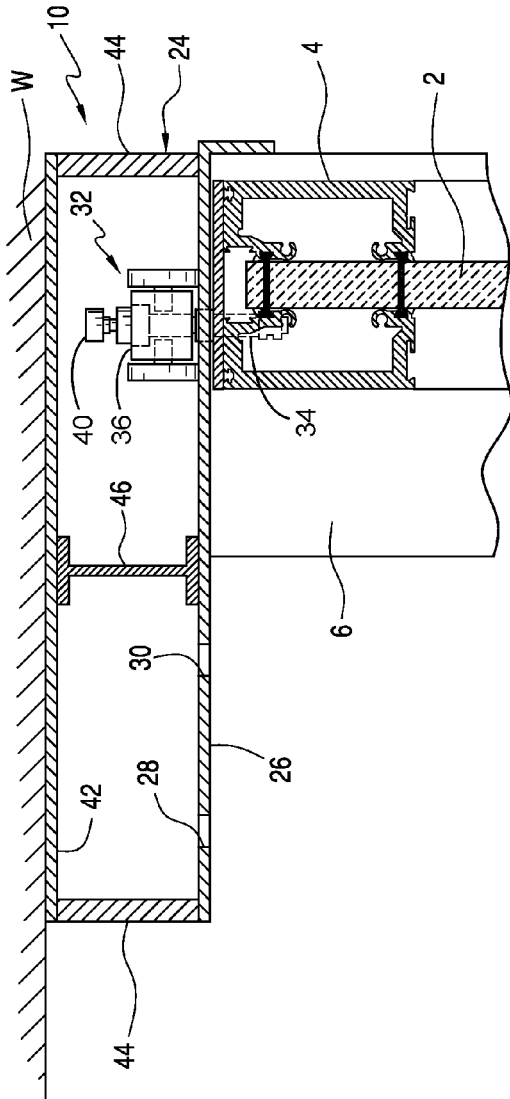


FIG. 9

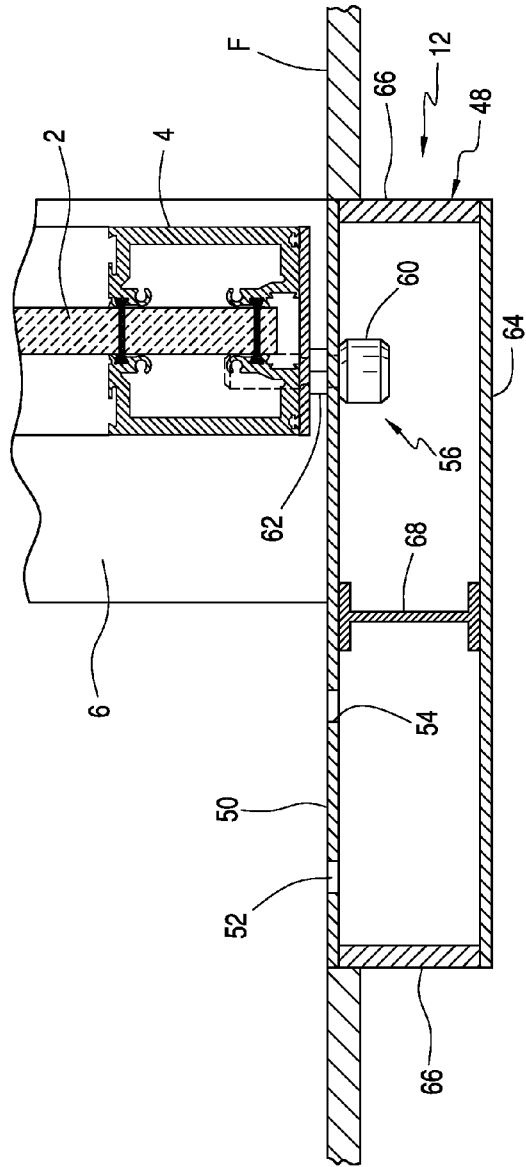


FIG. 10

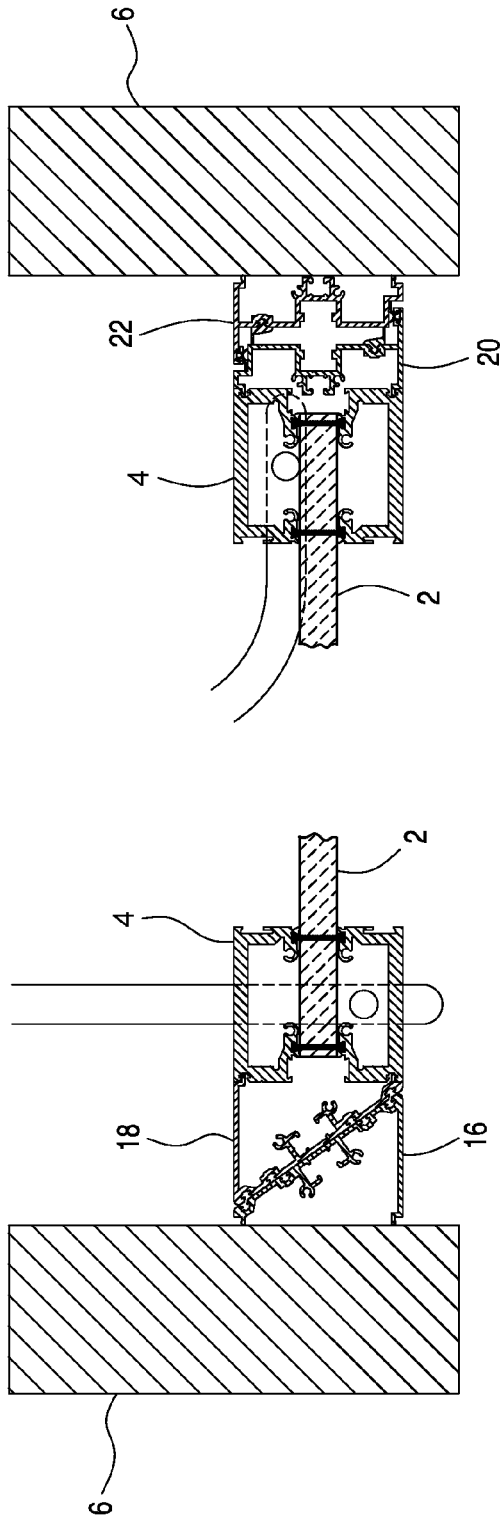


FIG. 12

FIG. 11

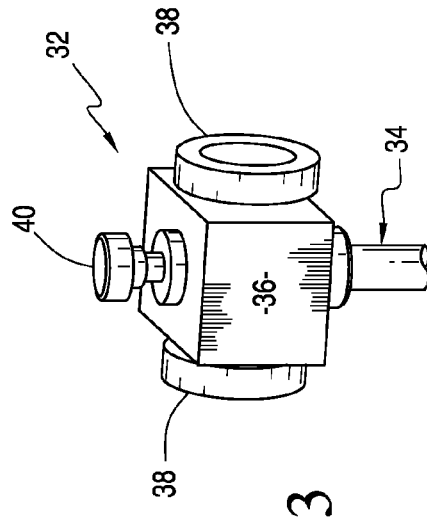


FIG. 13

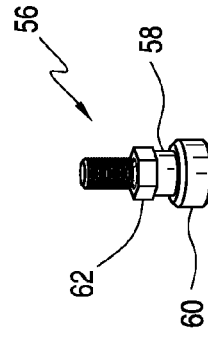


FIG. 14



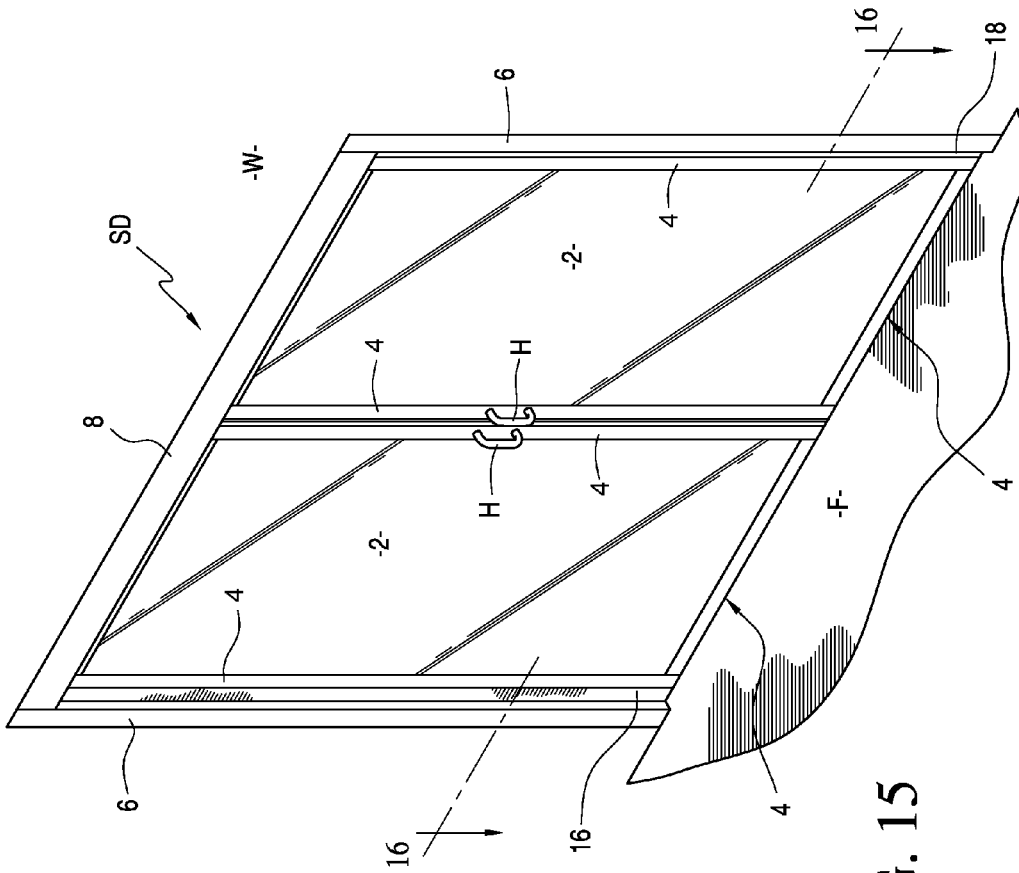


FIG. 15

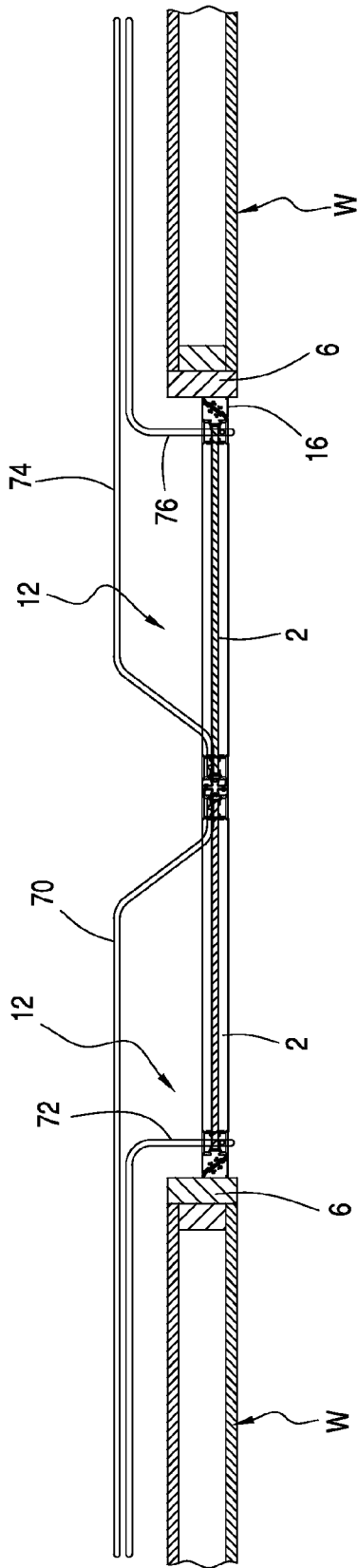


FIG. 16

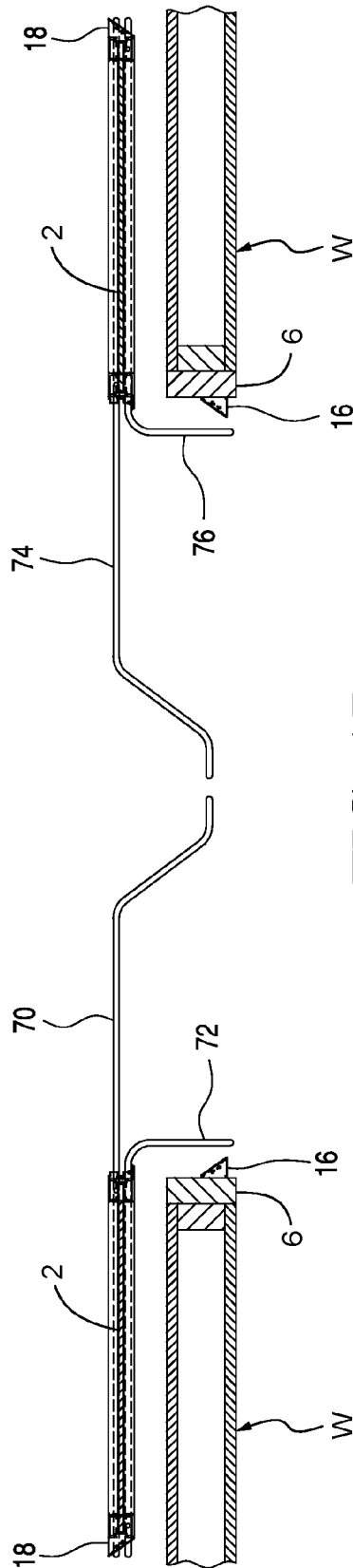


FIG. 17

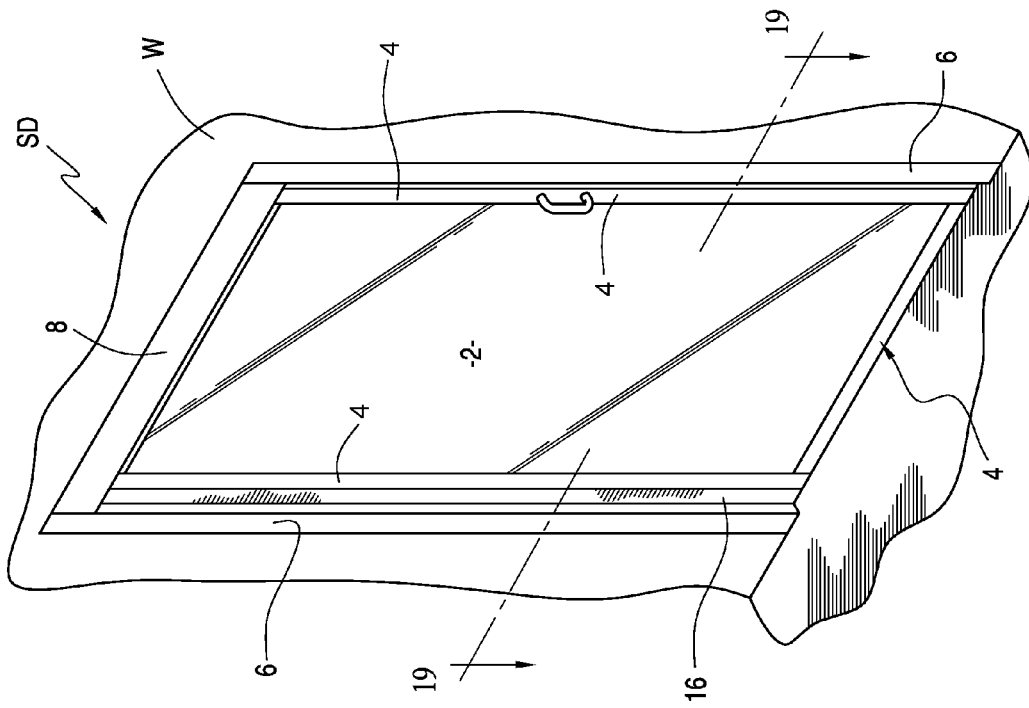


FIG. 18

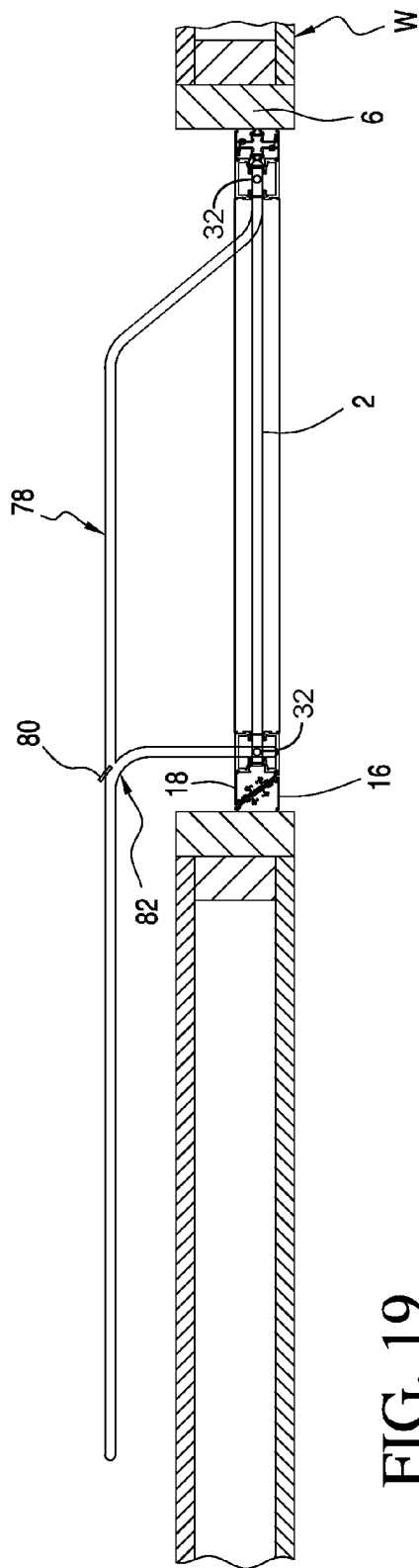


FIG. 19

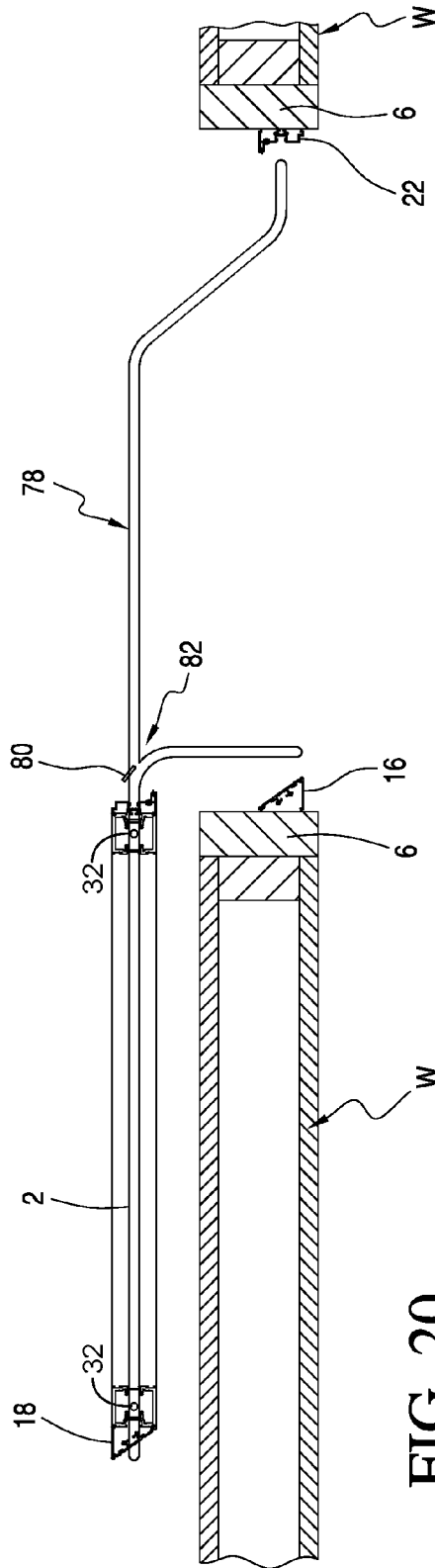


FIG. 20

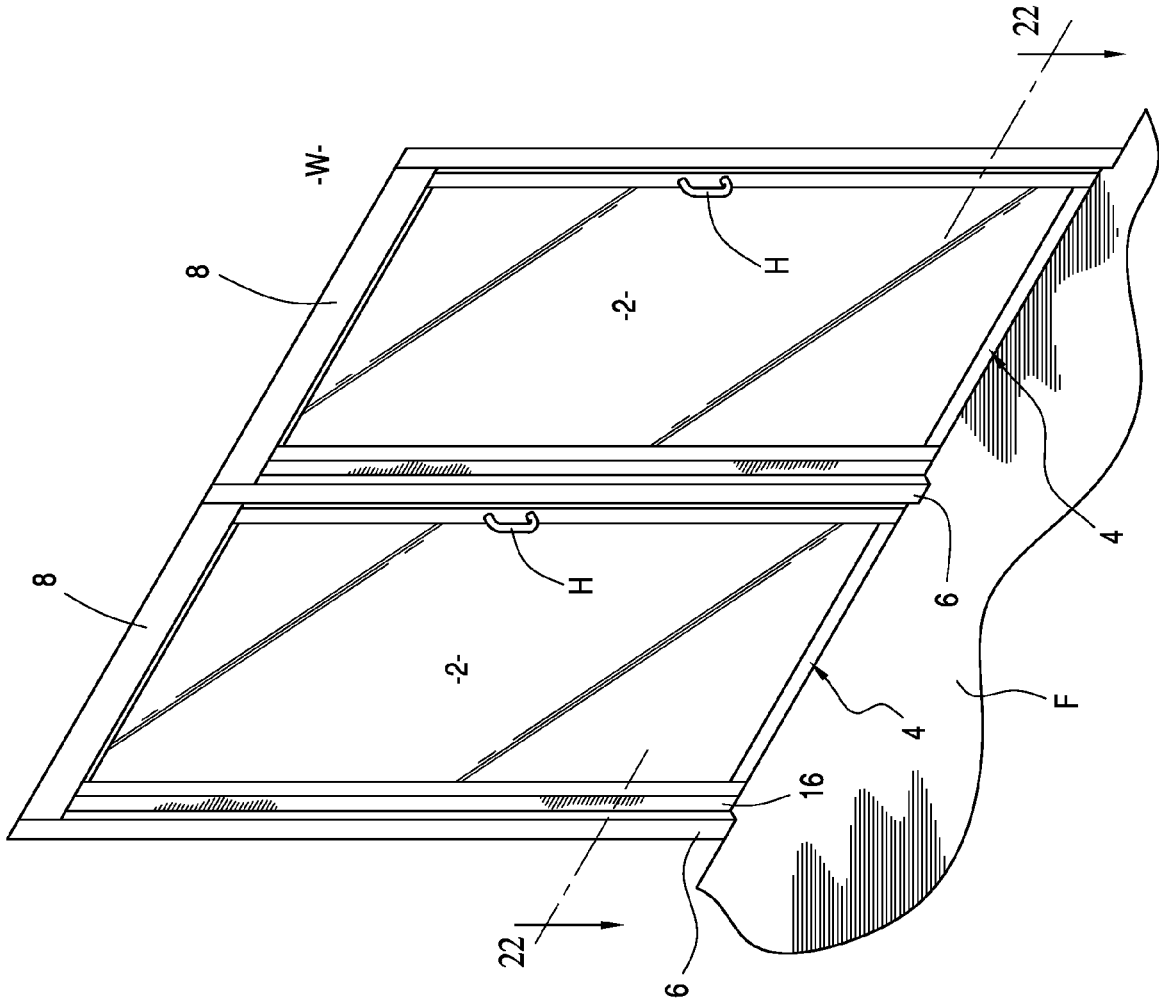


FIG. 21

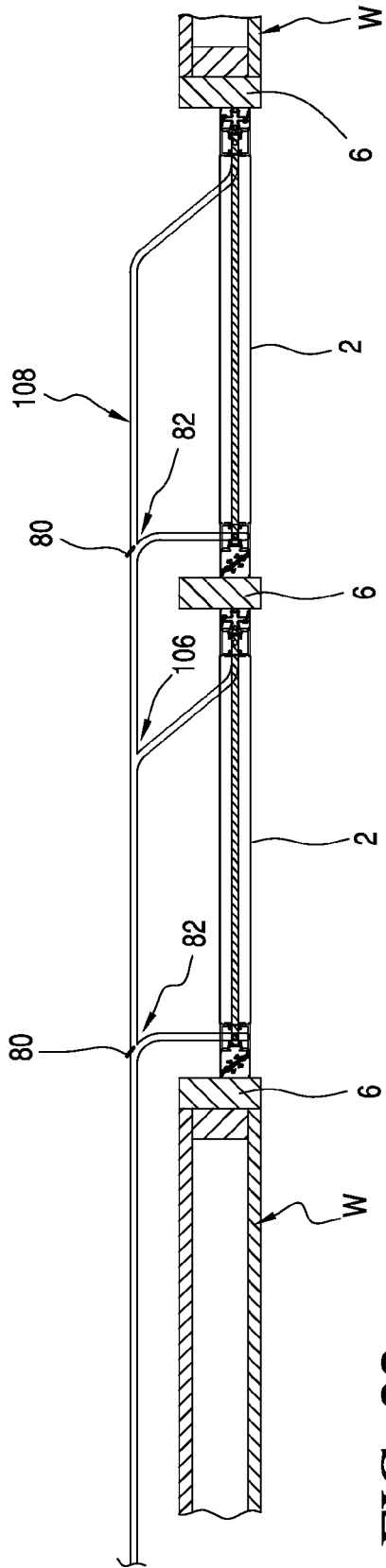


FIG. 22

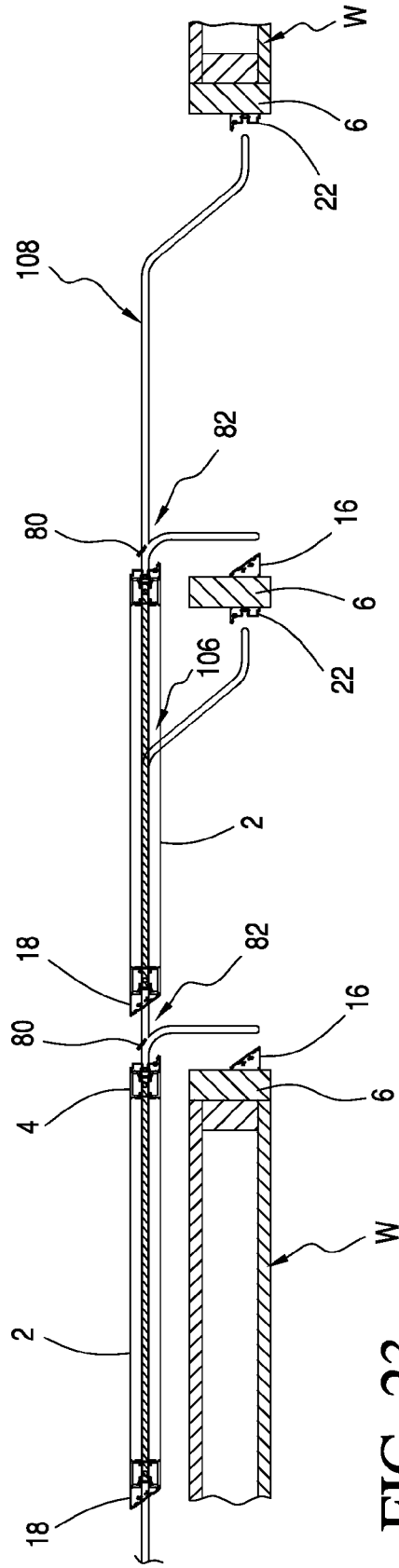


FIG. 23

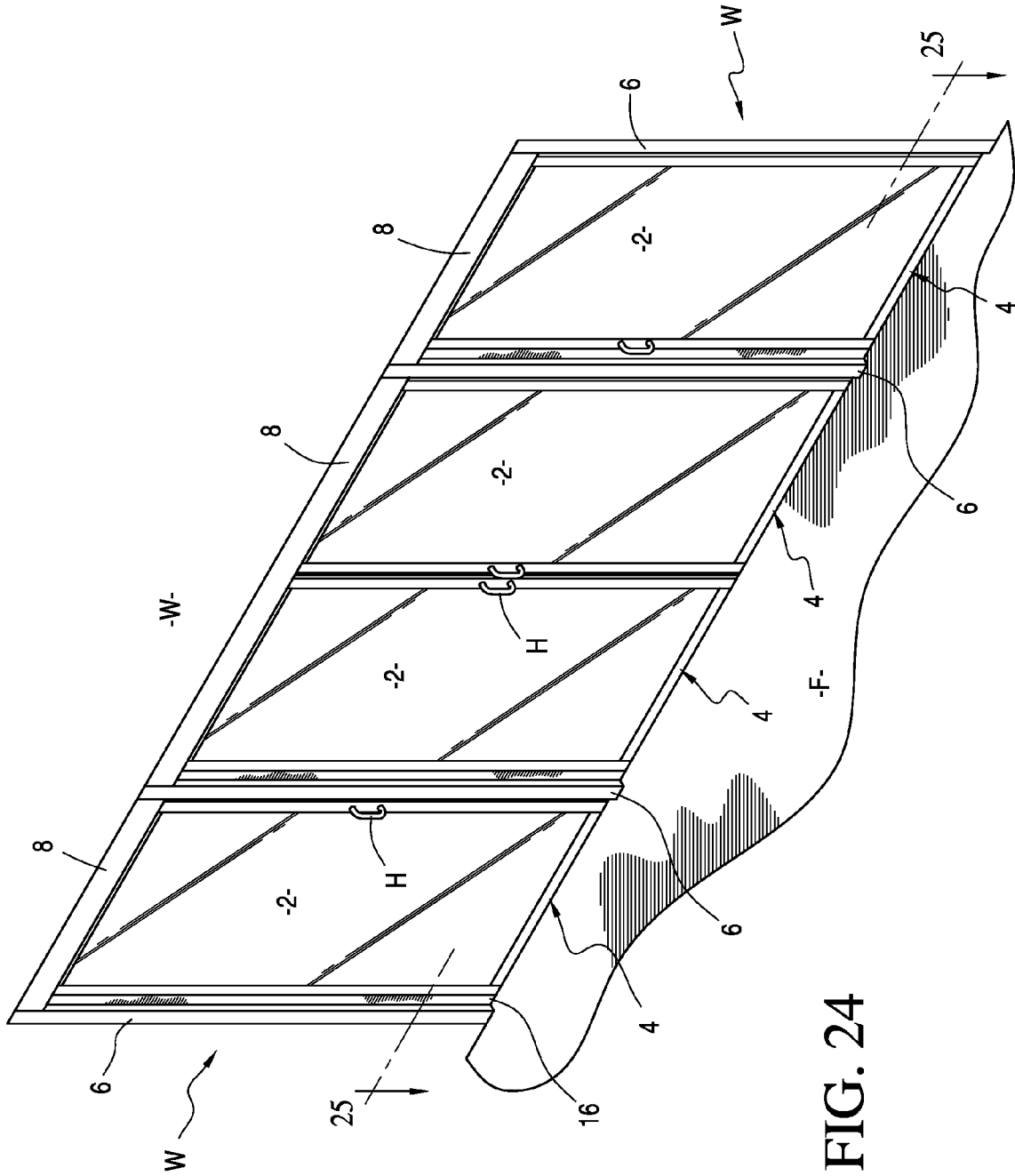


FIG. 24

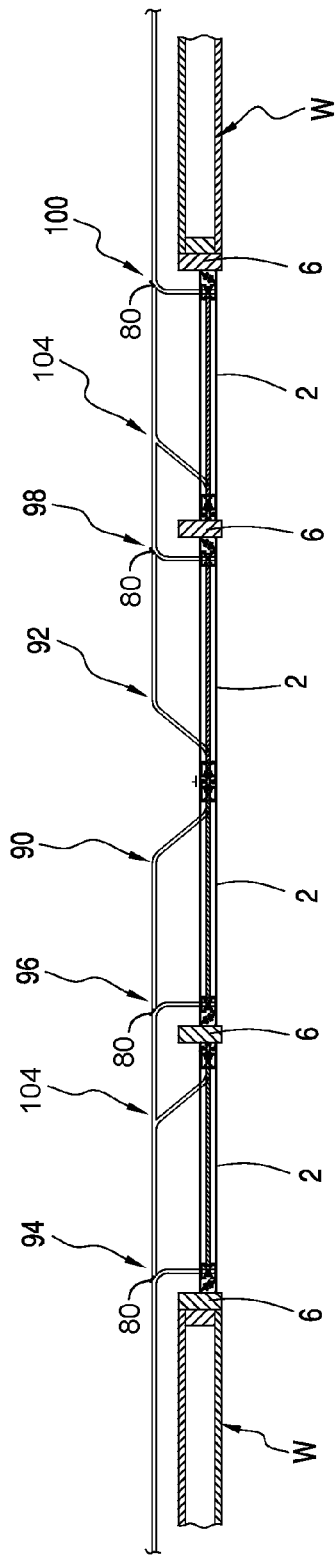


FIG. 25

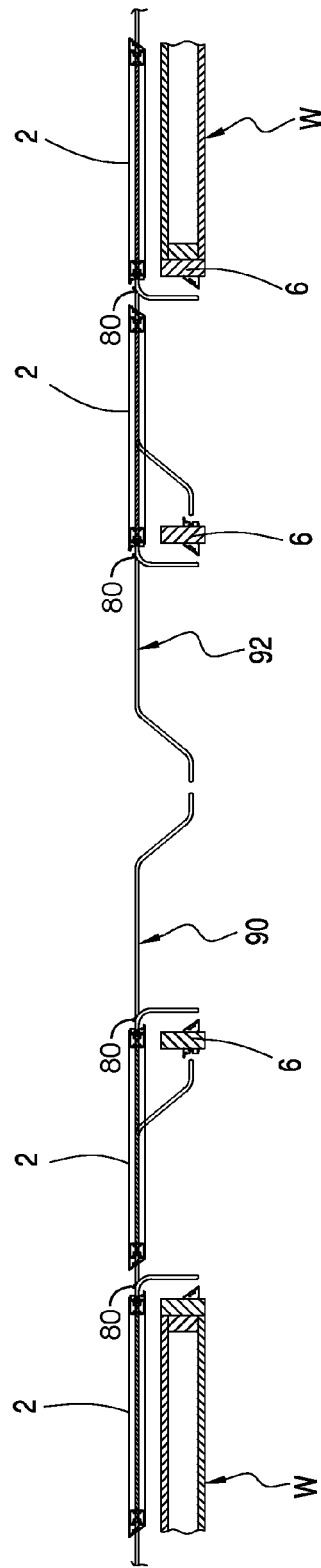


FIG. 26



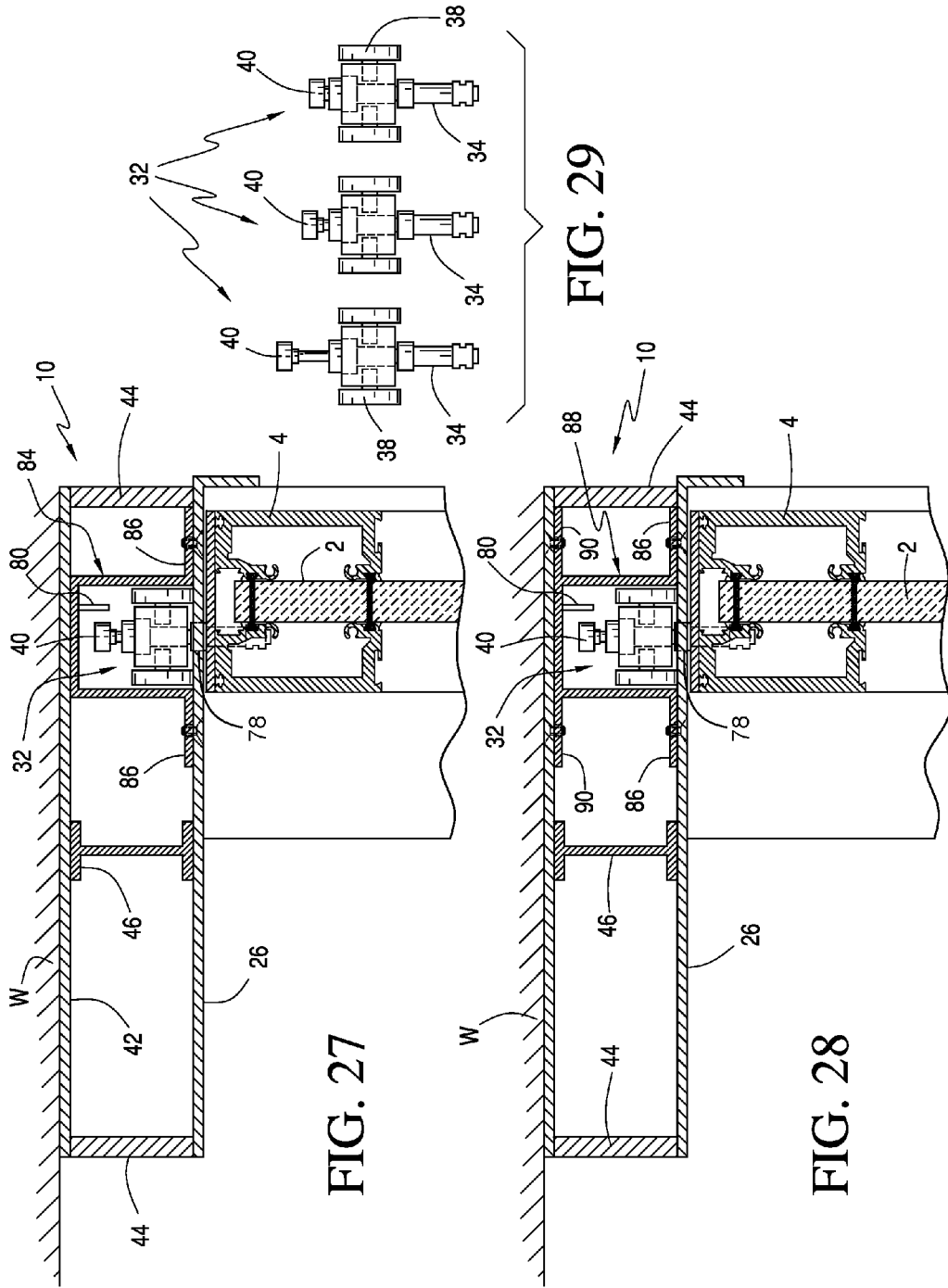


FIG. 27

FIG. 28

FIG. 29

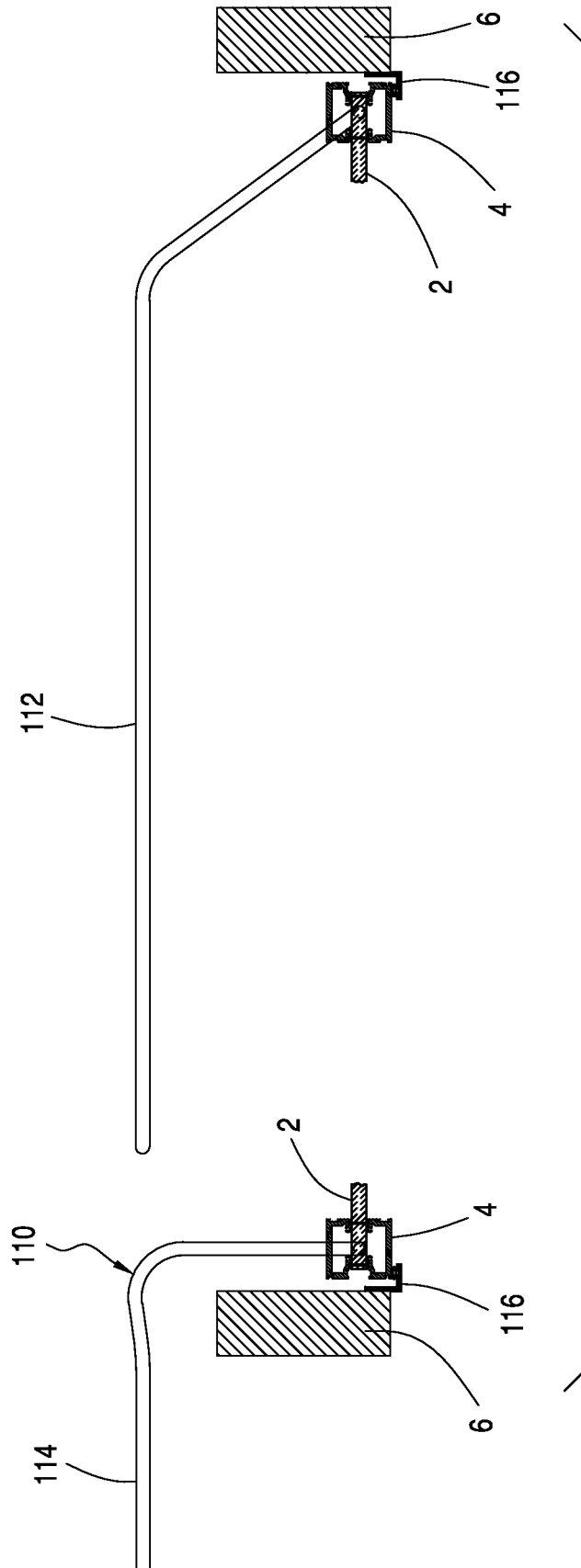


FIG. 30

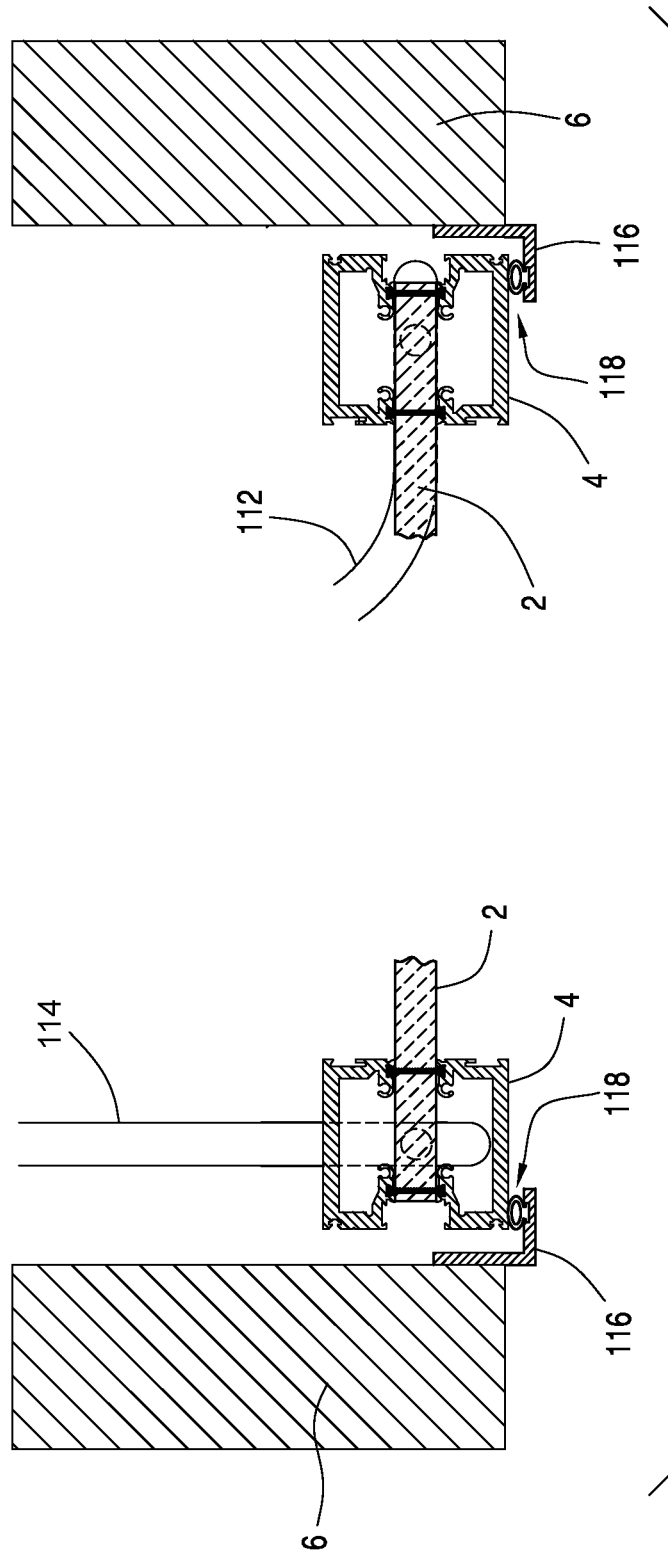


FIG. 31