



US009637961B2

(12) **United States Patent**  
**Header et al.**

(10) **Patent No.:** **US 9,637,961 B2**  
(45) **Date of Patent:** **May 2, 2017**

- (54) **SLIDING DOOR ASSEMBLY**
- (71) Applicant: **Gregory A Header**, Richland, PA (US)
- (72) Inventors: **Gregory A Header**, Richland, PA (US);  
**Rick James Hawk**, Tower City, PA (US); **Glenn Jesse Davis**, Muir, PA (US)
- (73) Assignee: **Gregory A Header**, Pine Grove, PA (US)
- (\* ) Notice: Subject to any disclaimer, the term of this patent is extended or adjusted under 35 U.S.C. 154(b) by 0 days.

(21) Appl. No.: **15/153,881**  
(22) Filed: **May 13, 2016**

(65) **Prior Publication Data**  
US 2016/0251886 A1 Sep. 1, 2016

**Related U.S. Application Data**  
(63) Continuation of application No. 13/888,000, filed on May 6, 2013.

(51) **Int. Cl.**  
**E06B 3/46** (2006.01)  
**E05D 15/10** (2006.01)  
(Continued)

(52) **U.S. Cl.**  
CPC ..... **E05D 15/0652** (2013.01); **E05D 15/0656** (2013.01); **E05D 15/08** (2013.01);  
(Continued)

(58) **Field of Classification Search**  
CPC . E05D 15/1065; E05D 15/08; E05D 15/0608;  
E05D 15/10; E05D 15/0613;  
(Continued)

(56) **References Cited**  
U.S. PATENT DOCUMENTS

550,339 A 11/1895 Chandler  
570,711 A 11/1896 Newhall  
(Continued)

FOREIGN PATENT DOCUMENTS

EP 1605125 A2 12/2005

OTHER PUBLICATIONS

Justin B Rephann, Office Action: Non-Final Rejection, U.S. Appl. No. 13/888,000, Header et al., Date of Action: Jan. 3, 2014, United States Patent and Trademark Office, Alexandria, VA US.

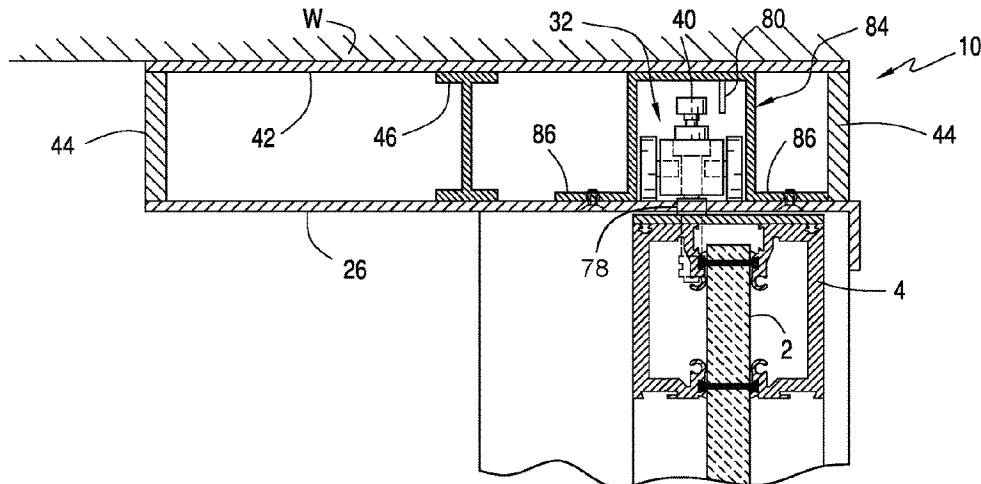
(Continued)

*Primary Examiner* — Justin Rephann  
(74) *Attorney, Agent, or Firm* — Stone Creek Services LLC; Alan M Flum

(57) **ABSTRACT**

A sliding door assembly for incorporation within a wall, the assembly comprising a sliding door panel, a top rail guide and a bottom rail guide operatively associated with respective top and bottom ends of the sliding door panel to guide the same within a pair of cooperating guide tracks provided within each of the top rail guides and bottom rail guides, the top and bottom rails guides are not vertically interconnected whereby the pairs of cooperating guide tracks extend in a separate plane from that of the wall so that when the sliding door panel is fully opened it is disposed behind the wall. The invention includes a guide track that is bifurcated to provide multiple sliding door panels.

**12 Claims, 17 Drawing Sheets**



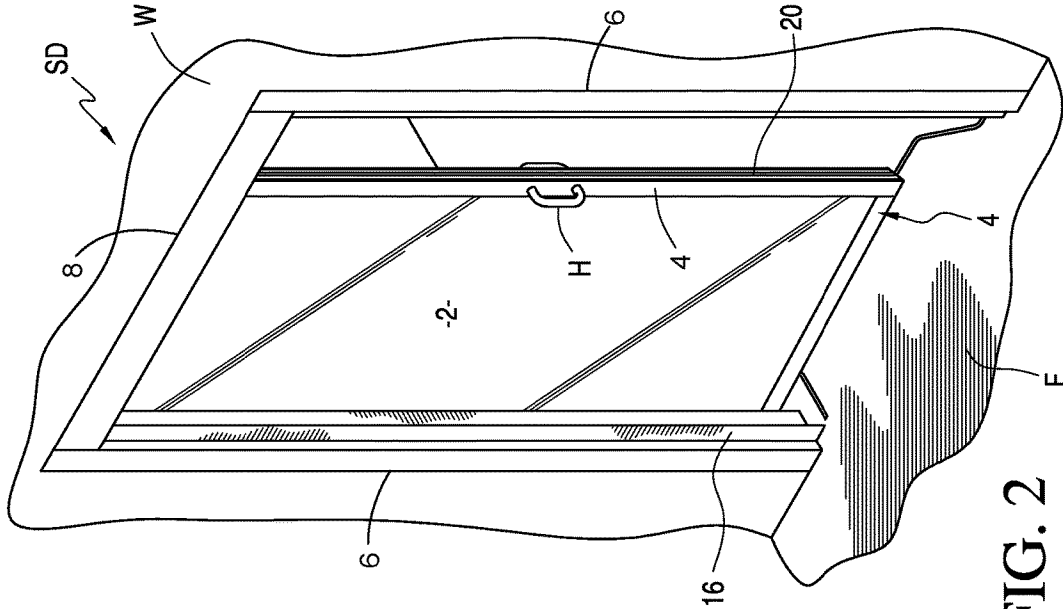


FIG. 1

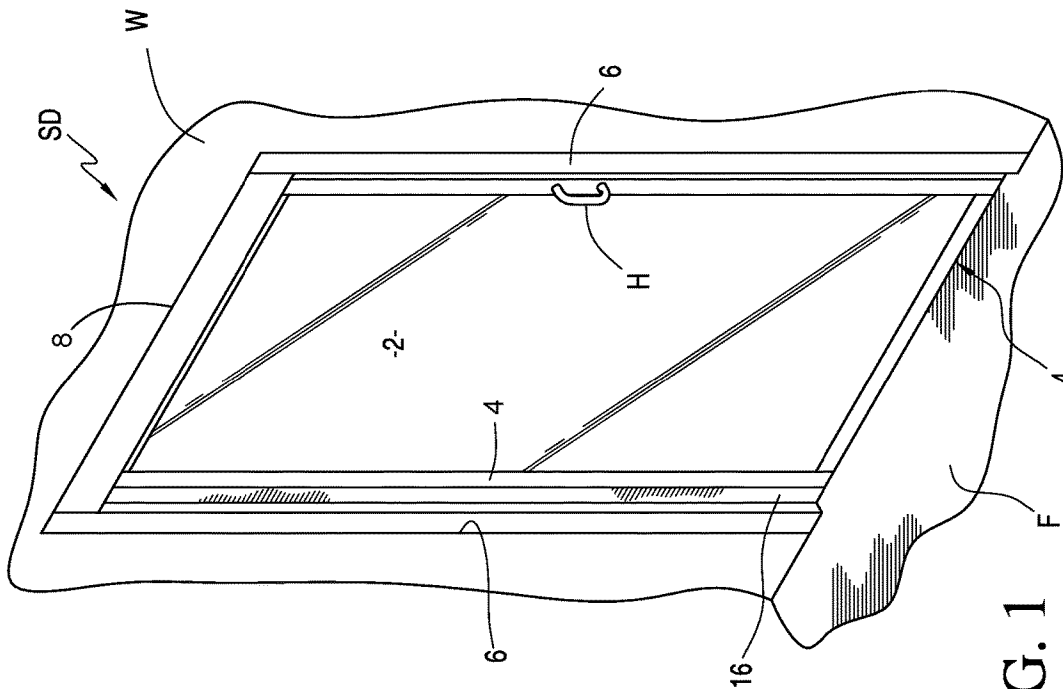


FIG. 2

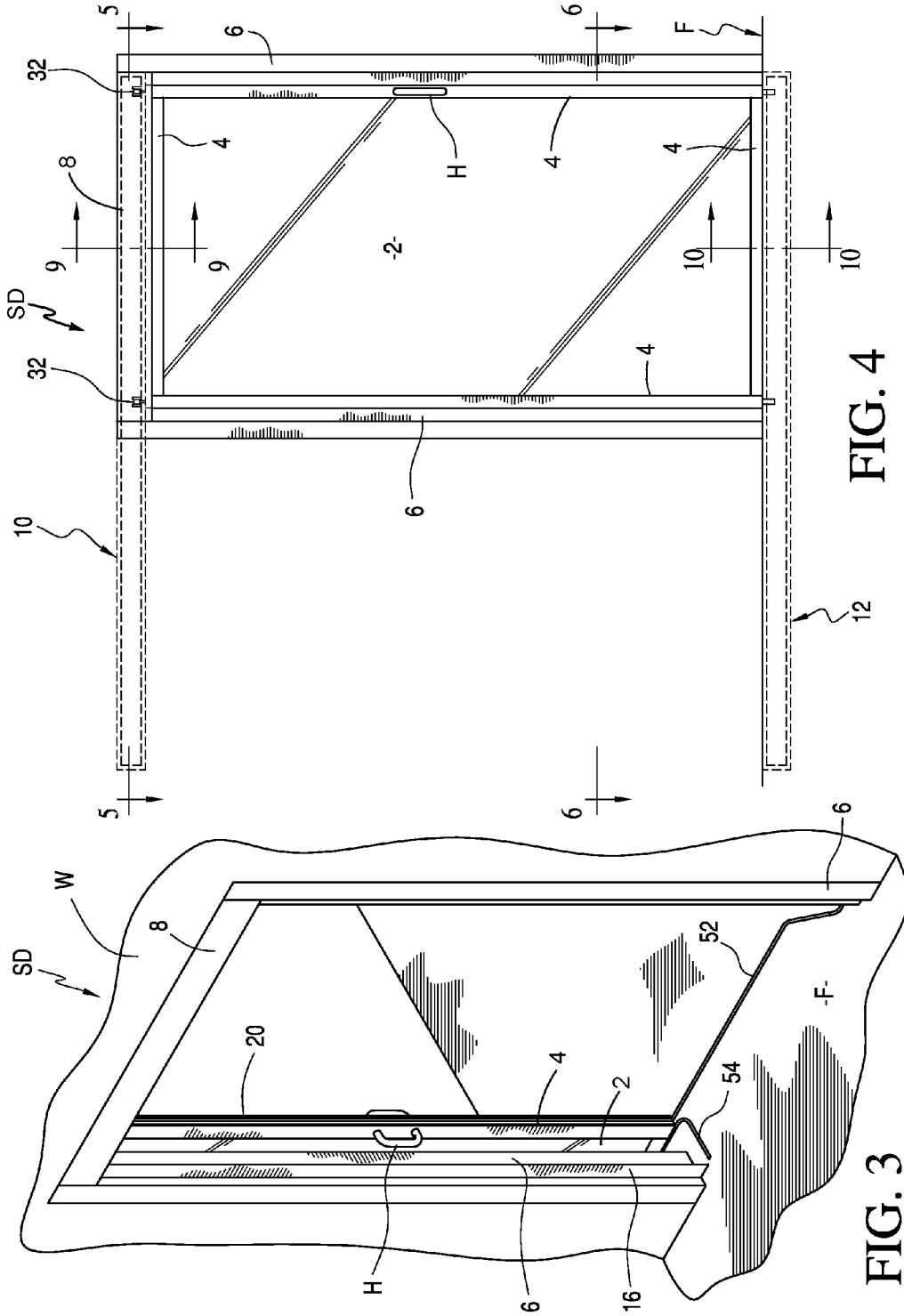


FIG. 4

FIG. 3

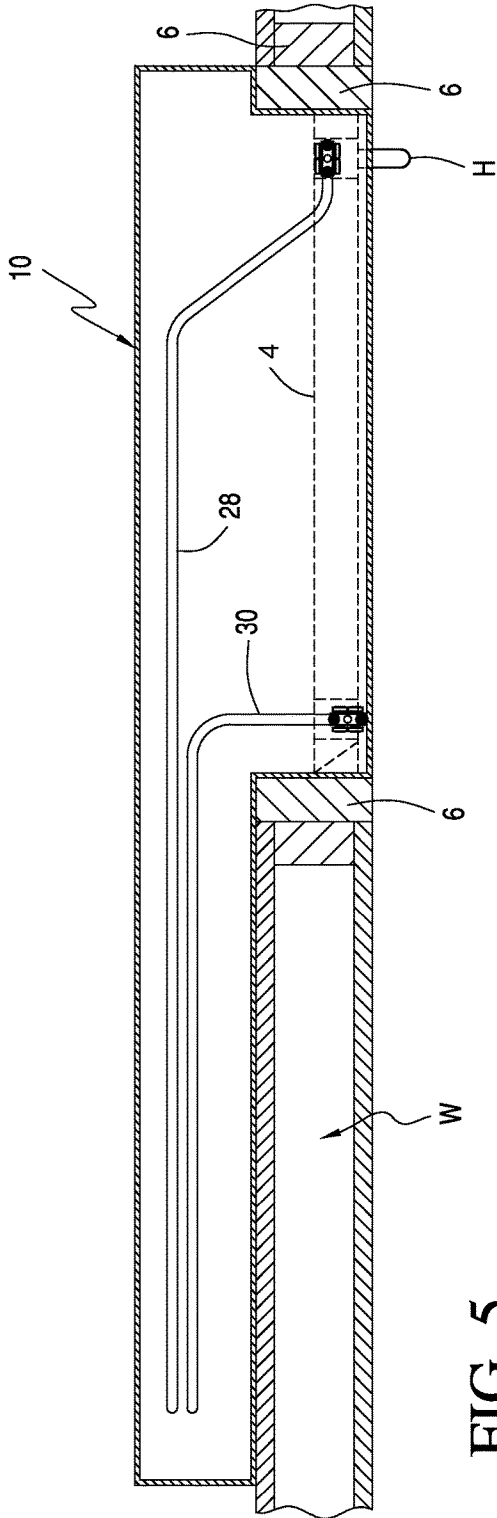


FIG. 5

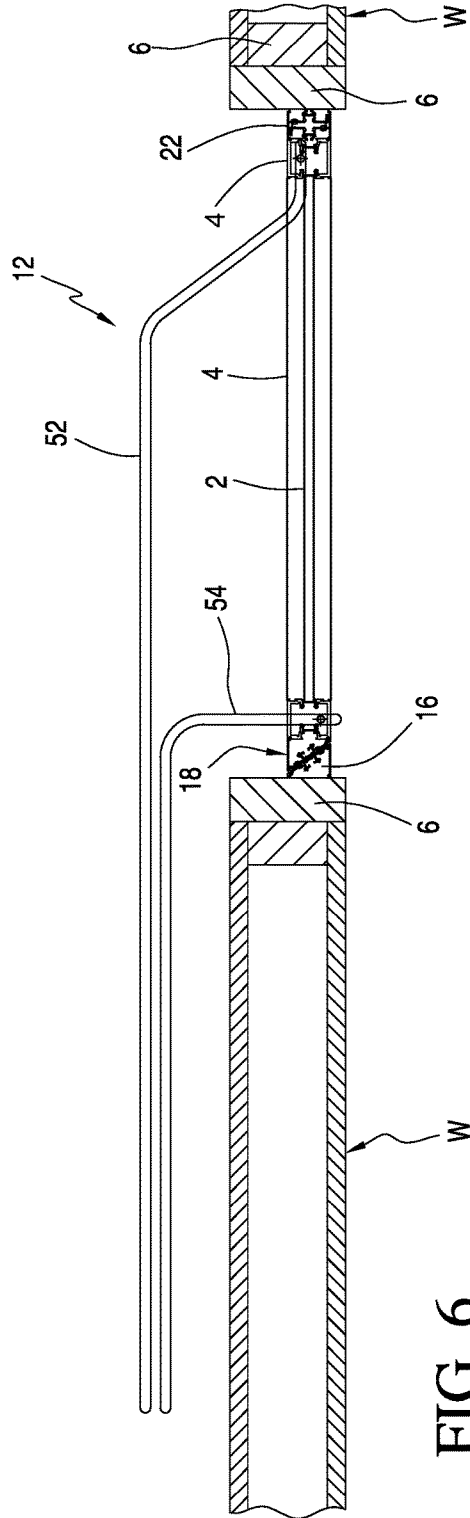


FIG. 6

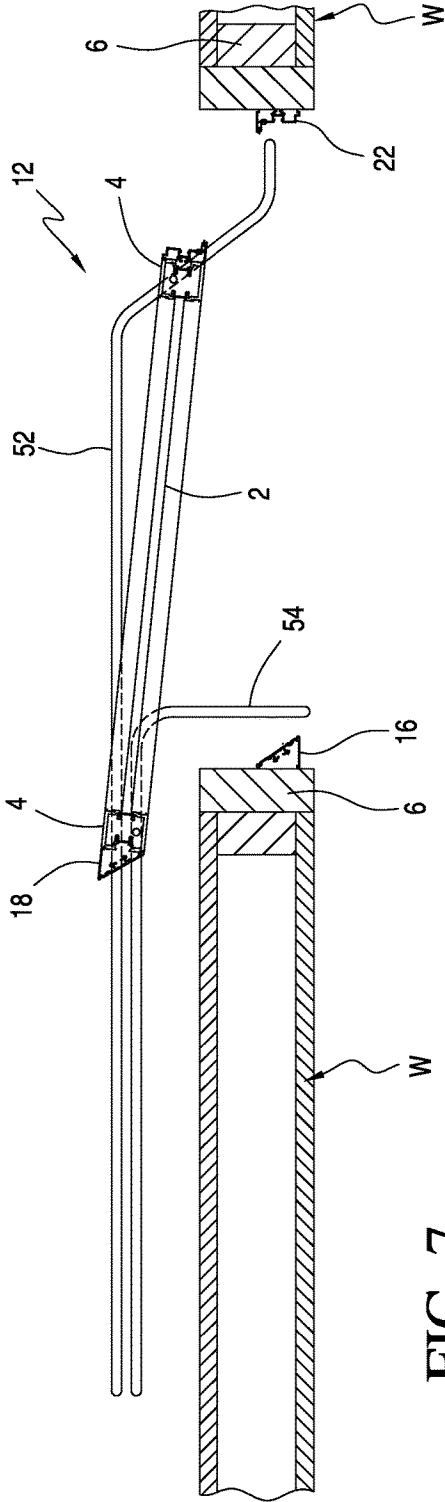


FIG. 7

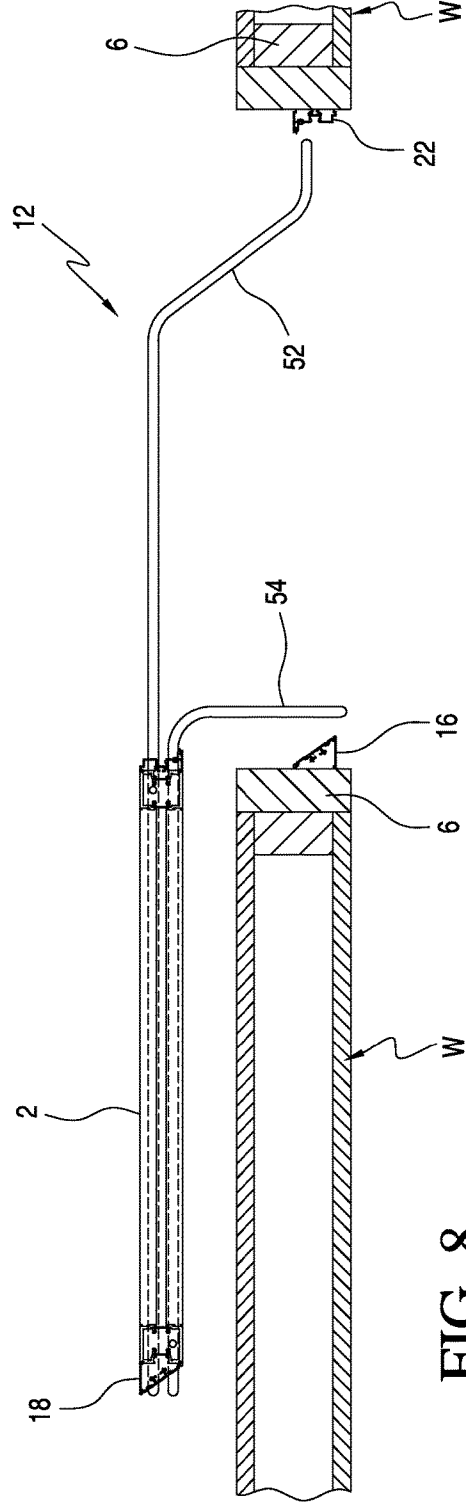


FIG. 8

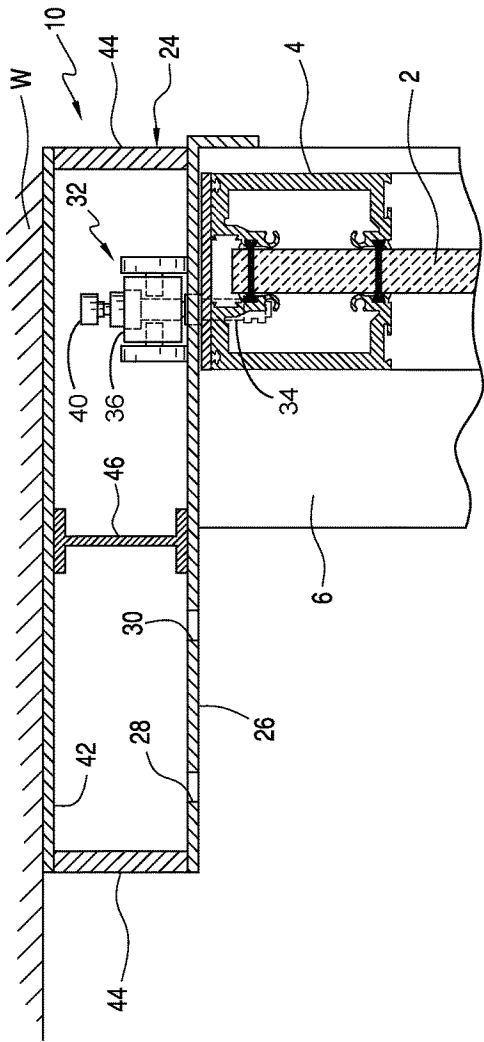


FIG. 9

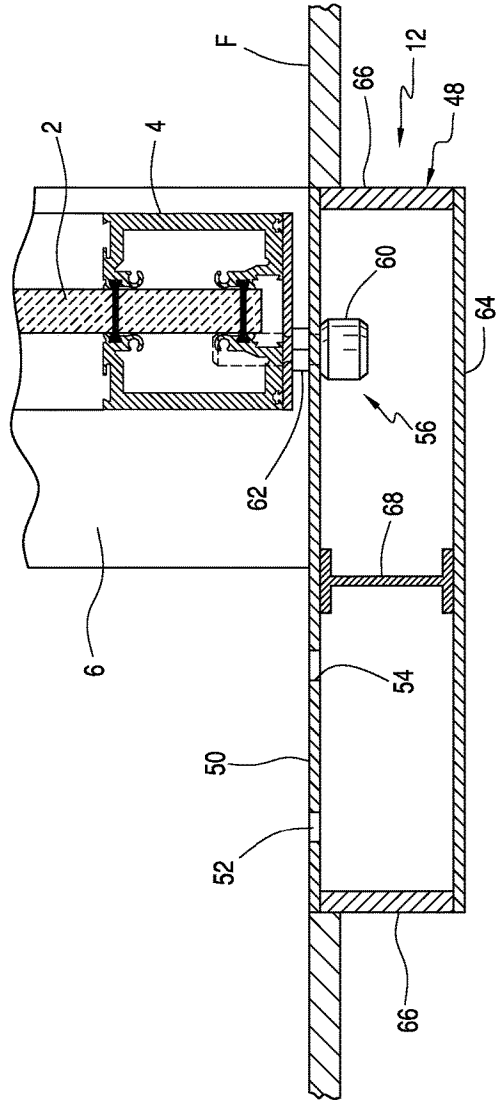


FIG. 10

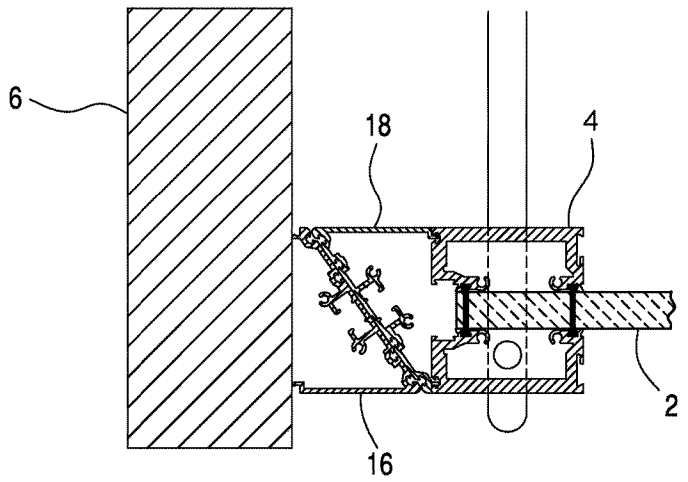


FIG. 11

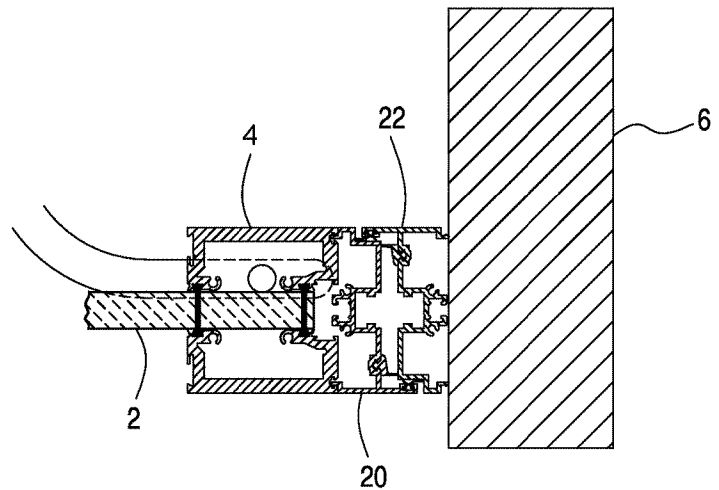


FIG. 12

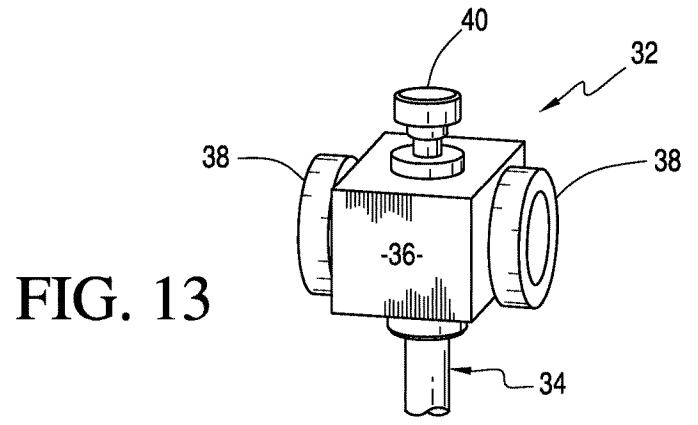


FIG. 13

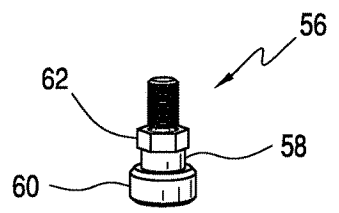


FIG. 14

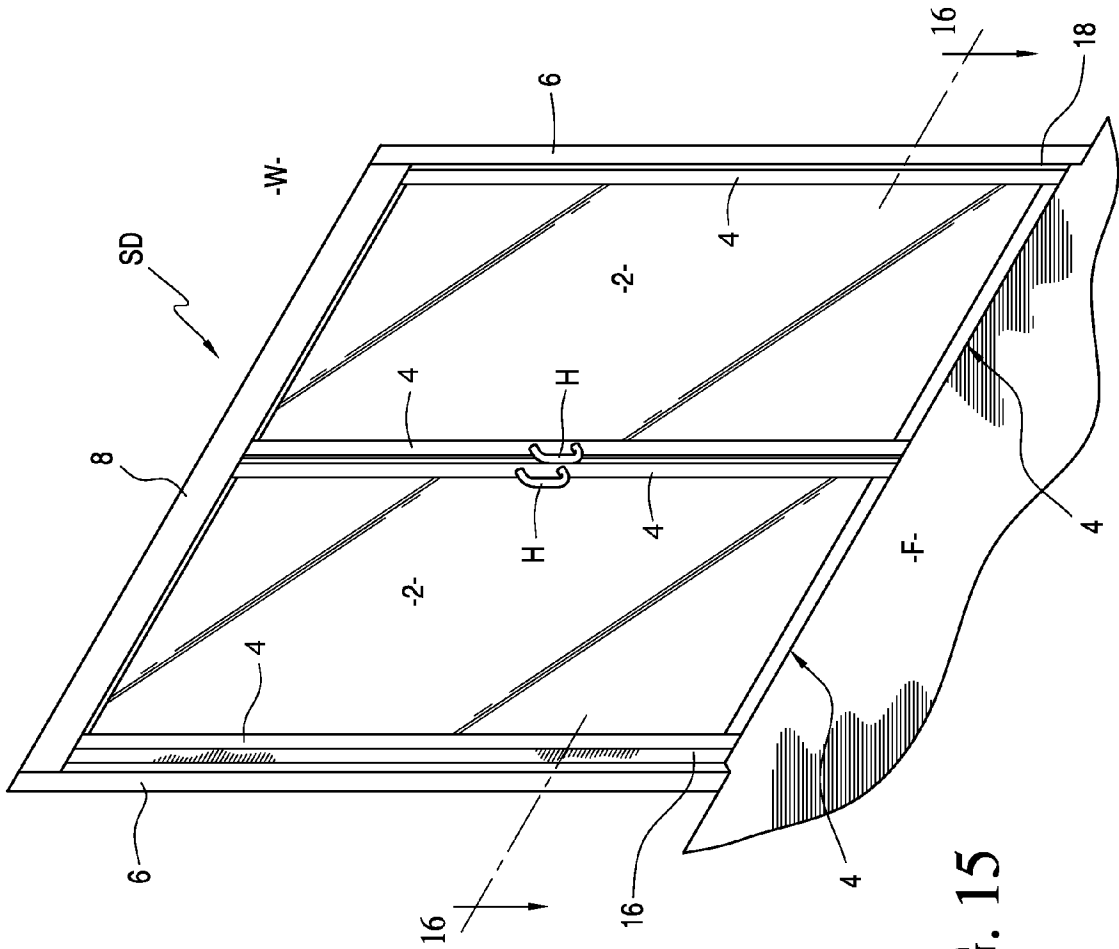


FIG. 15



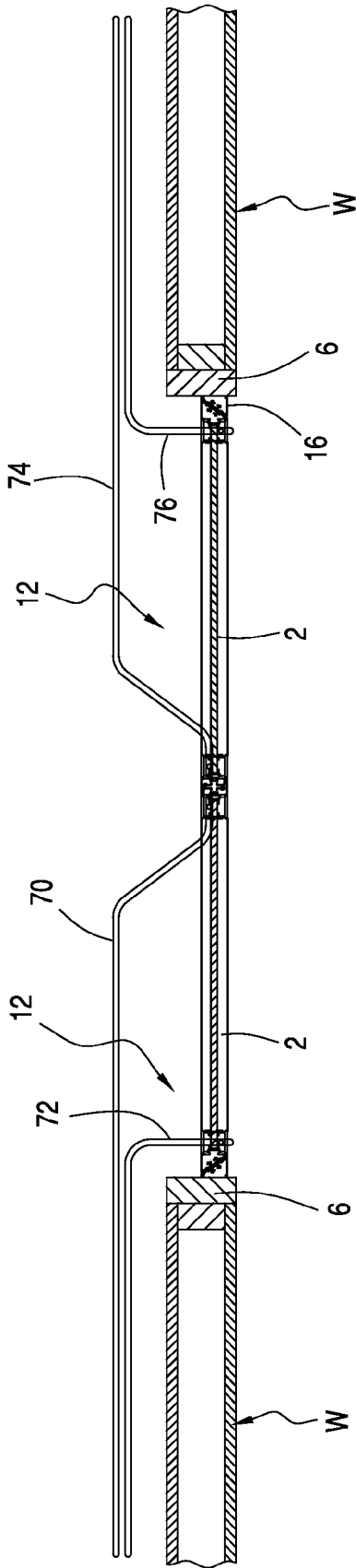


FIG. 16

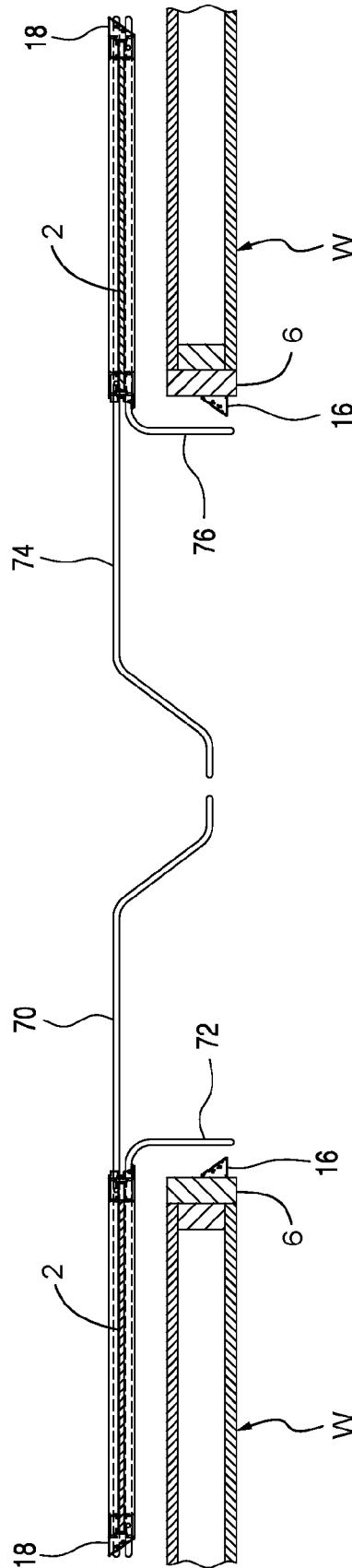


FIG. 17

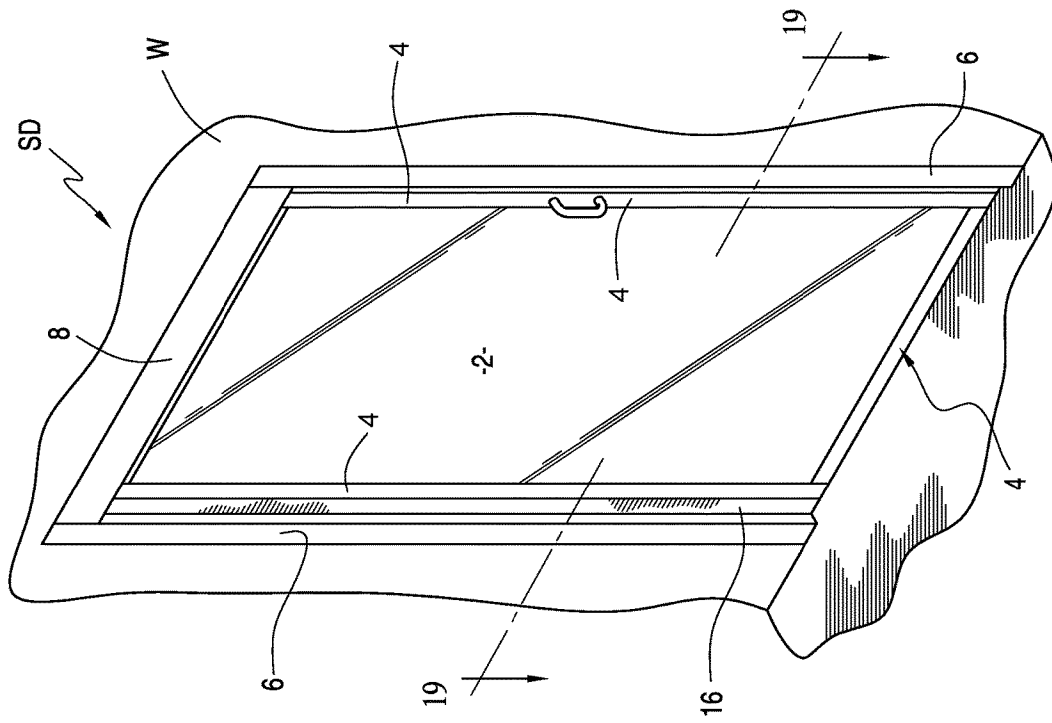


FIG. 18

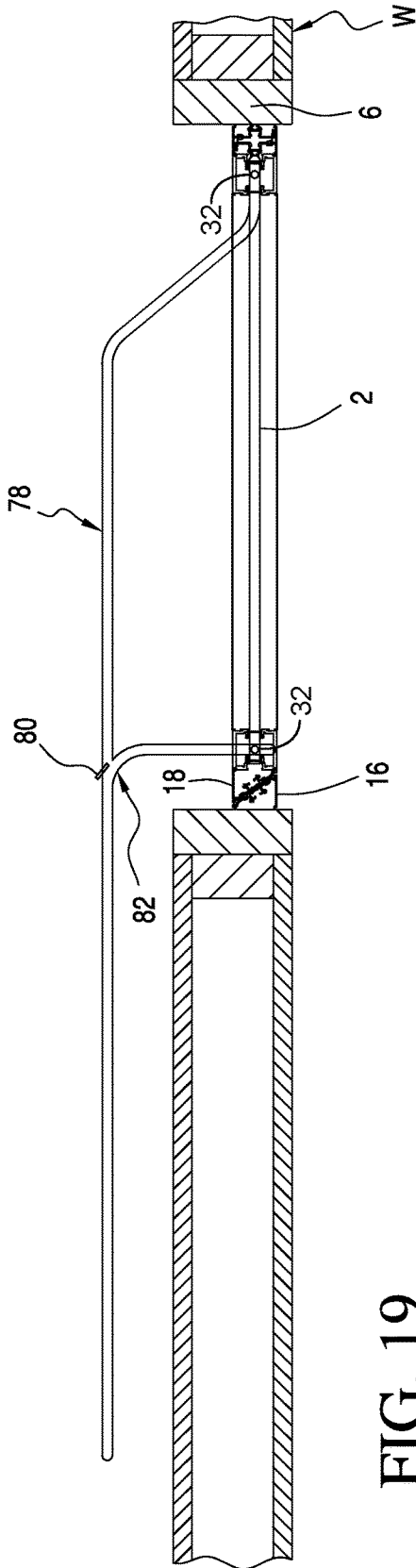


FIG. 19

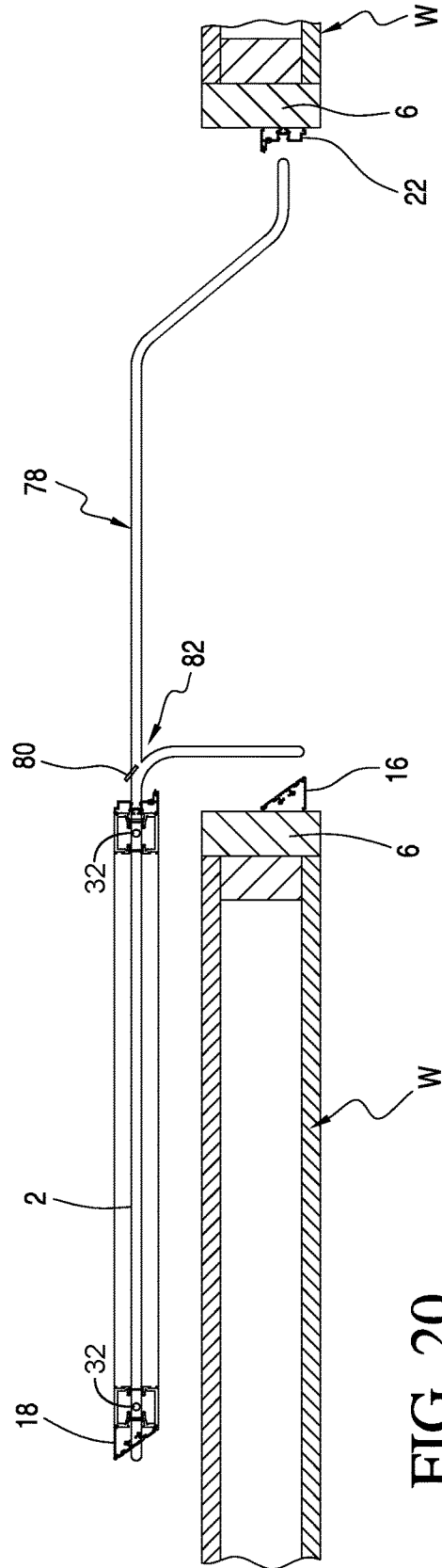


FIG. 20

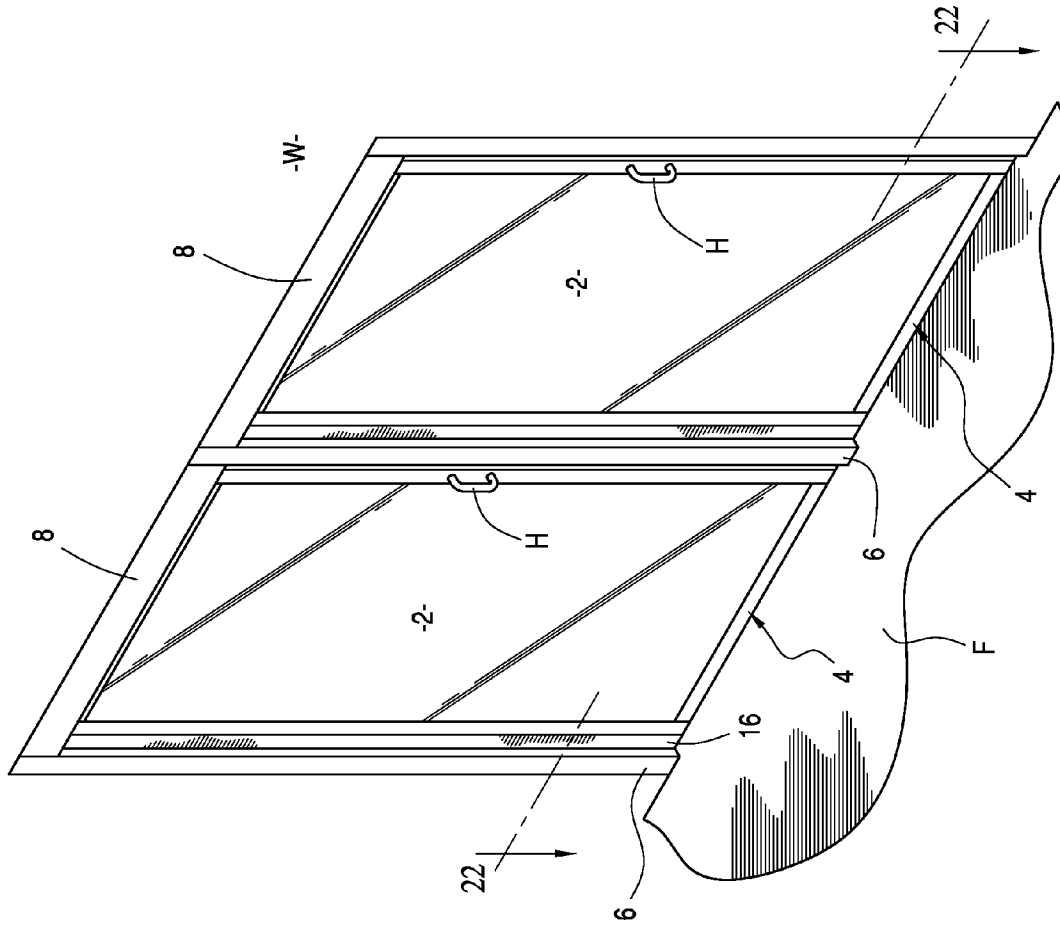


FIG. 21

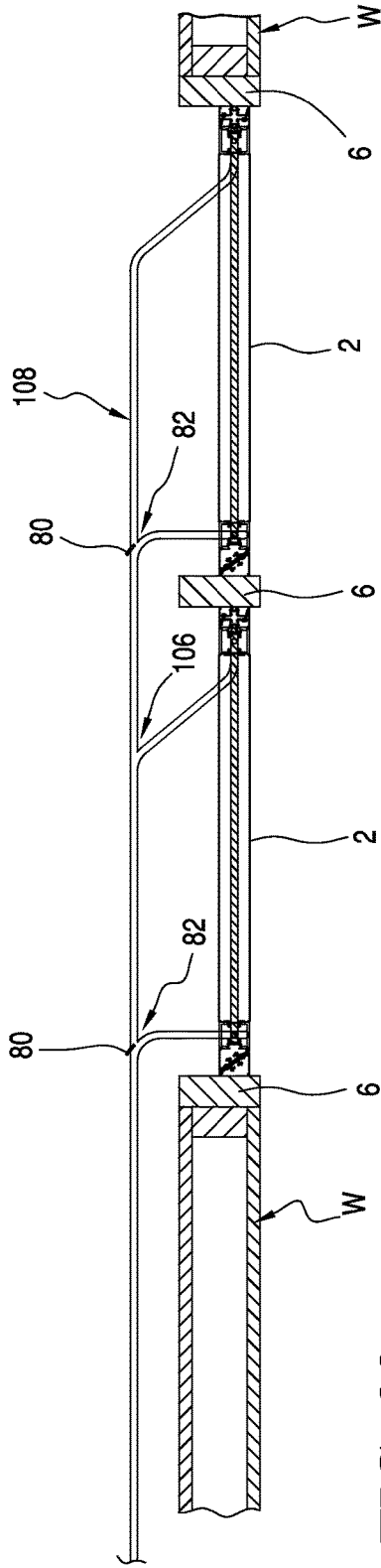


FIG. 22

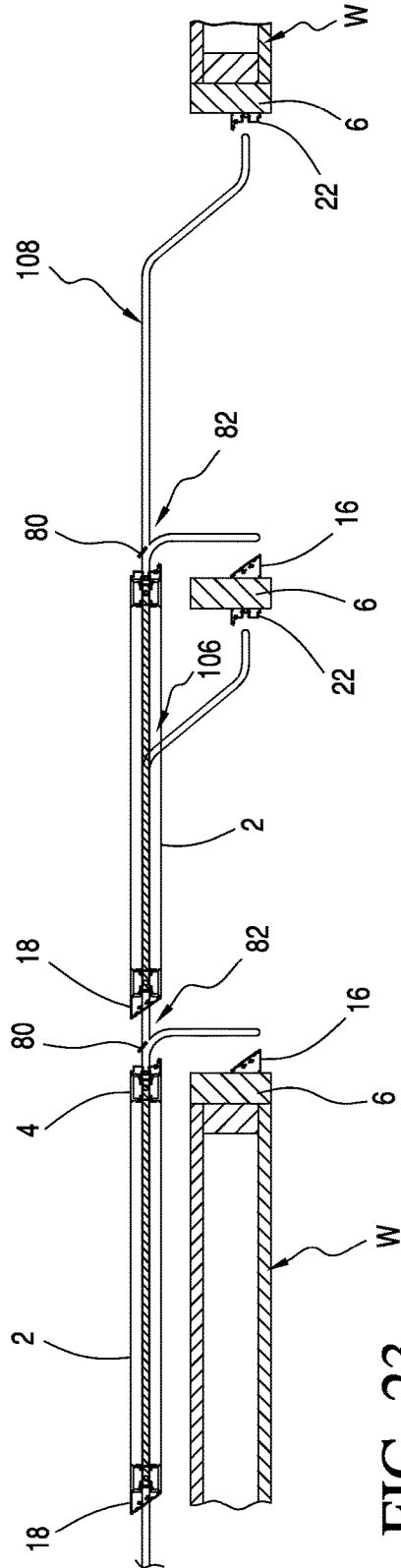


FIG. 23

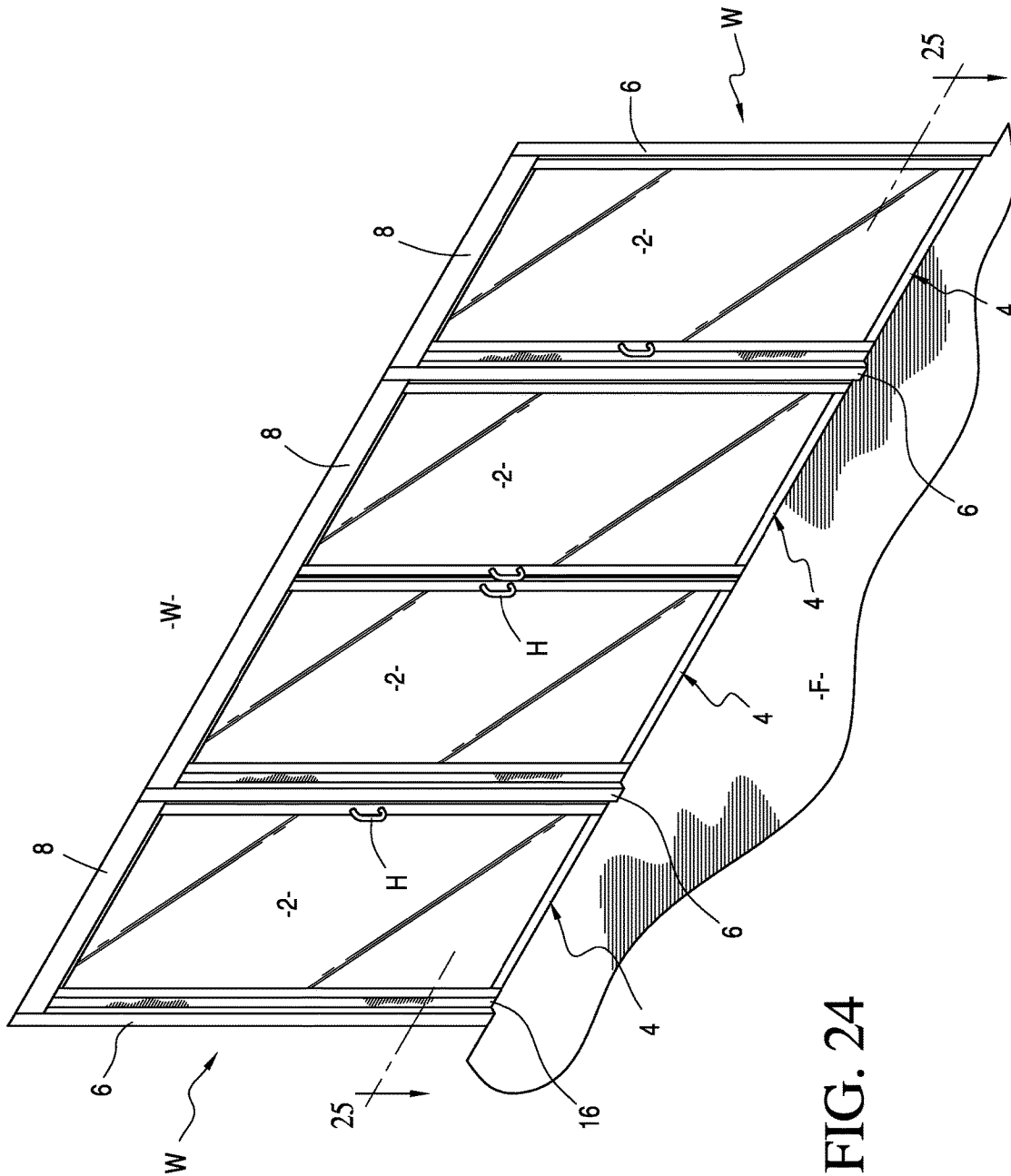


FIG. 24

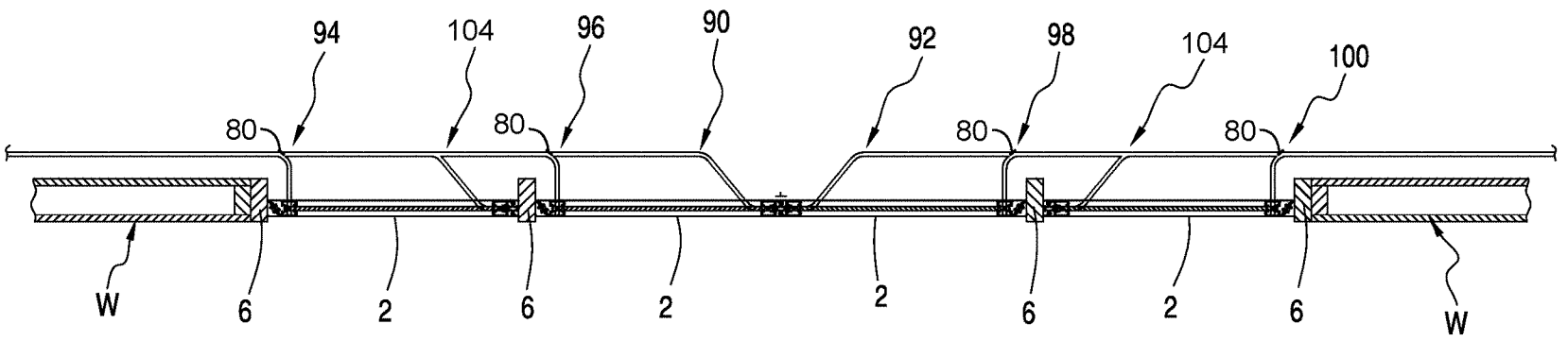


FIG. 25

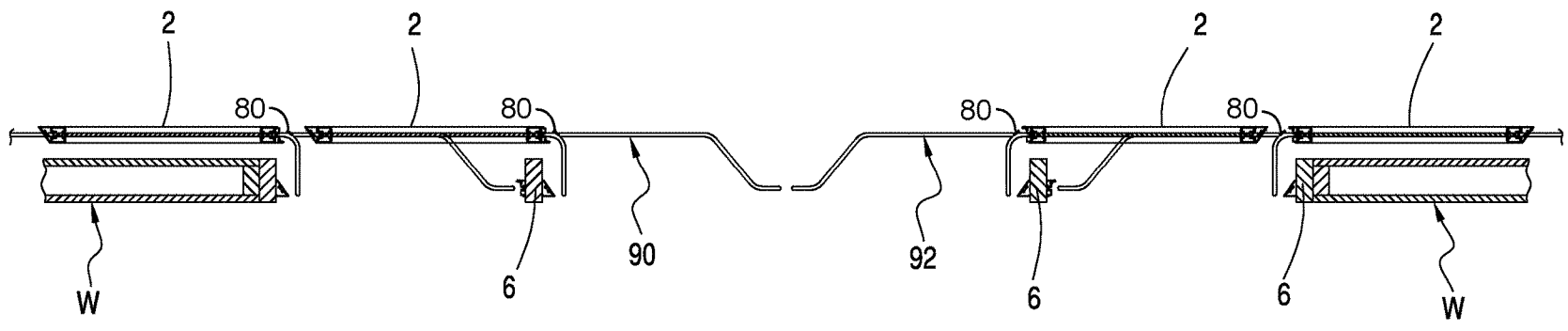


FIG. 26

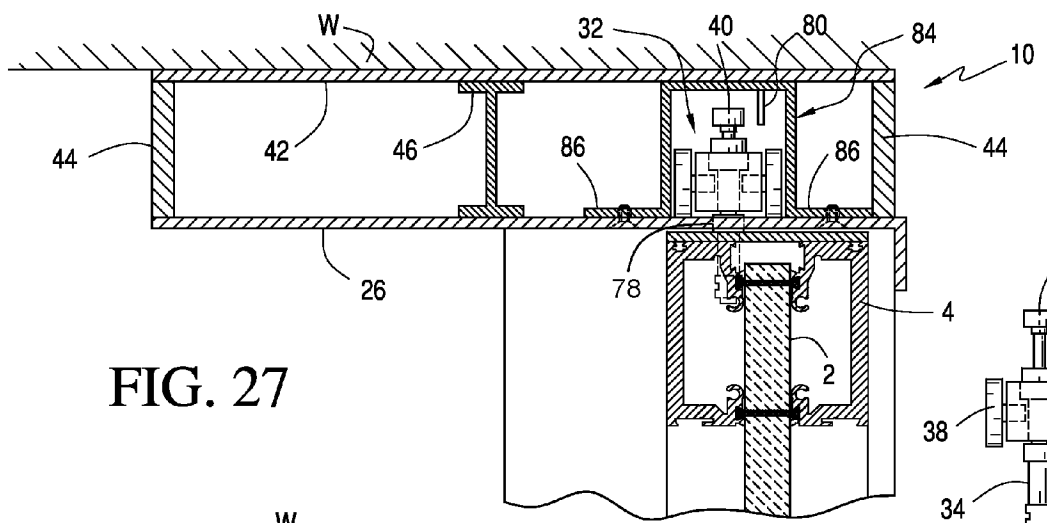


FIG. 27

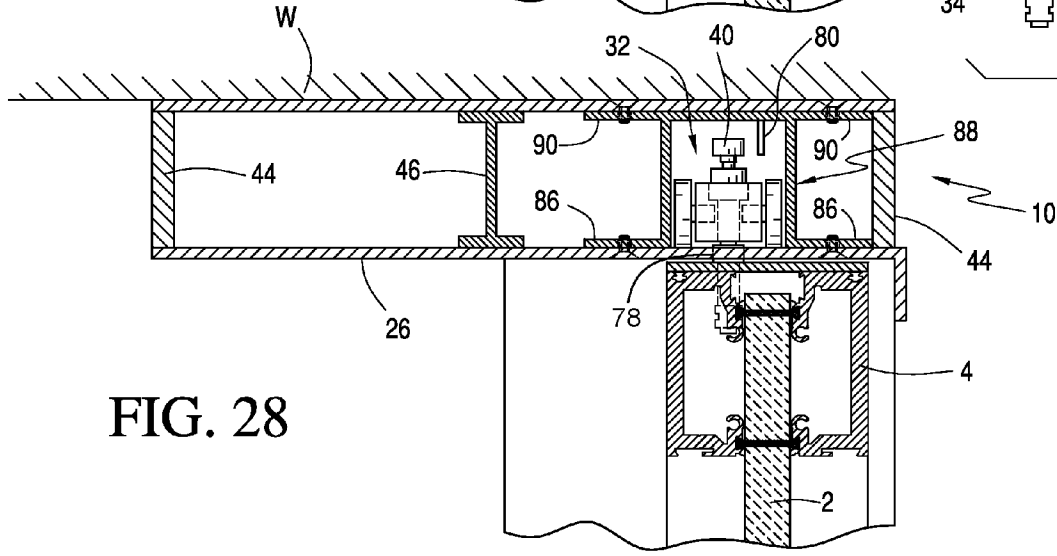


FIG. 28

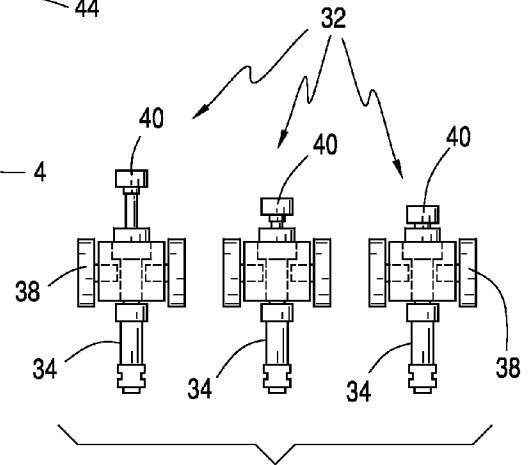


FIG. 29



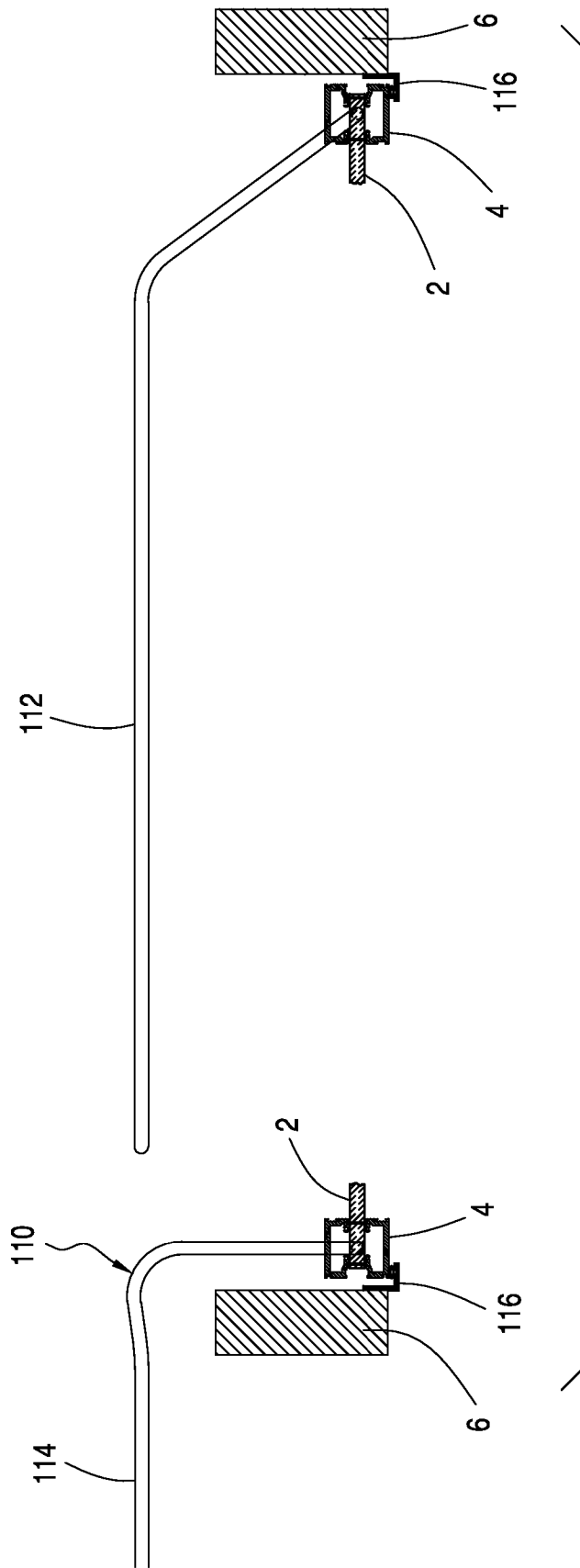


FIG. 30

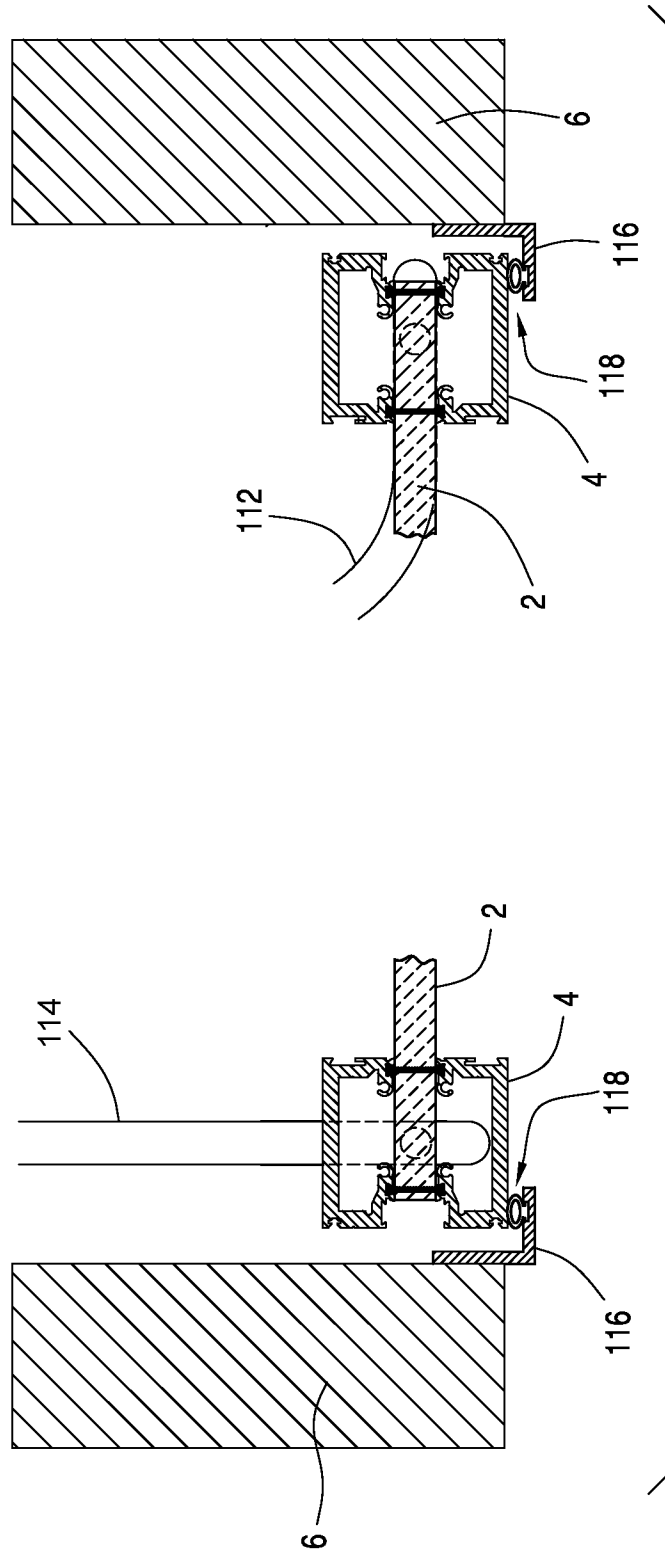


FIG. 31